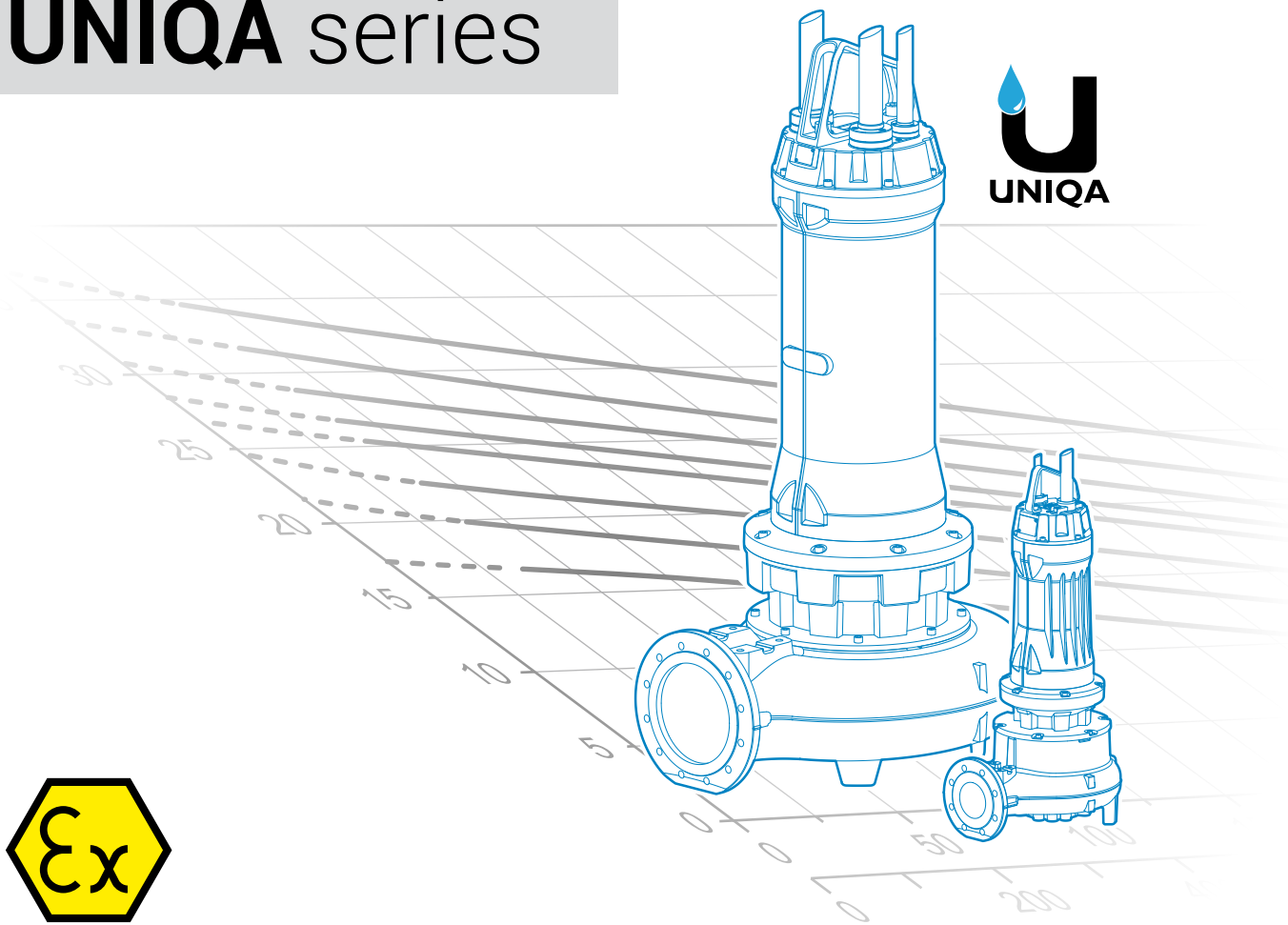




better together

50Hz

UNIQA series



D A T A B O O K L E T

zenit.com

EN



better together

UNIQA series



D A T A B O O K L E T



Table of content

Models with **VORTEX** impeller (ZUG V)

ZUG V 065A	8	ZUG V 080H	22
ZUG V 080A	10	ZUG V 100A	24
ZUG V 080B	12	ZUG V 100B	26
ZUG V 080C	14	ZUG V 100G	28
ZUG V 080D - 2p	16	ZUG V 150A	30
ZUG V 080D - 4p	18	ZUG V 150C	32
ZUG V 080E	20		

Models with **OPEN CHANNEL** impeller (ZUG OC)

ZUG OC 065A	34	ZUG OC 100K - 2p	78
ZUG OC 065B	36	ZUG OC 100K - 4p	80
ZUG OC 065C	38	ZUG OC 100L	82
ZUG OC 080A - 2p	40	ZUG OC 100U	84
ZUG OC 080A - 4p	42	ZUG OC 100Y	86
ZUG OC 080B	44	ZUG OC 101G	88
ZUG OC 080D	46	ZUG OC 150A	90
ZUG OC 080E	48	ZUG OC 150D - 4p	92
ZUG OC 080G - 2p	50	ZUG OC 150D - 6p	94
ZUG OC 080G - 4p	52	ZUG OC 150F	96
ZUG OC 080H - 4p	54	ZUG OC 150G - 4p	98
ZUG OC 080H - 6p	56	ZUG OC 150G - 6p	100
ZUG OC 080N	58	ZUG OC 150N	102
ZUG OC 080W	60	ZUG OC 150R	104
ZUG OC 080Z	62	ZUG OC 200A	106
ZUG OC 100A	64	ZUG OC 200B - 4p	108
ZUG OC 100B	66	ZUG OC 200B - 6p	110
ZUG OC 100E	68	ZUG OC 250C	112
ZUG OC 100F	70	ZUG OC 250H - 4p	114
ZUG OC 100H	72	ZUG OC 250H - 6p	116
ZUG OC 100J - 2p	74	ZUG OC 250K	118
ZUG OC 100J - 4p	76		

Models with **GRINDER** impeller (ZUG GR)

ZUG GR 050A	120
ZUG GR 050B	122

Models with **HIGH HEAD** impeller (ZUG HP)

ZUG HP 050A	124
ZUG HP 050B	126

Models with **CHOPPER** impeller (ZUG CP)

ZUG CP 080A - 2p	128	ZUG CP 100F - 2p	136
ZUG CP 080A - 4p	130	ZUG CP 100F - 4p	138
ZUG CP 100B - 4p	132	ZUG CP 150G - 4p	140
ZUG CP 100B - 6p	134	ZUG CP 150G - 6p	142

Models with channel impeller with **AVULKOLLAN COATING** (ZUG VL)

ZUG VL 050A	144
-------------------	-----

ZENIT UNIQA high performances submersible pumps

ZENIT UNIQA submersible electric pumps. Designed for heavy-duty professional applications, they are used in civil and industrial wastewater treatment plants, lifting sewage, pumping industrial sludges and rainwater containing solids, and recycling raw or activated sludges and biological liquids.

ZENIT UNIQA series motors are designed with the aim of achieving the Premium (IE3) efficiency class according to EN 60034-30.



Available hydraulics

All hydraulic components are designed to provide highest efficiency and best performance combined with wide free passage. All the impellers are available in cast iron, stainless steel or bronze/aluminium.



VORTEX impeller (ZUG V)

with full free passage
Suggested applications:

- Biological liquids and wastewater
- Suitable for civil pumping stations and lifting wastewaters in livestock farms and industrial plants



OPEN CHANNEL impeller (ZUG OC)

high performance with wide free passage
Suggested applications:

- Liquids containing suspended solids
- Suitable for sewage and drainage systems and first rainfall tanks



GRINDER impeller (ZUG GR)

Grinding system with rotary knife
Suggested applications:

- Soiled liquids containing fibres and filaments
- Suitable for heavy-duty applications



HIGH HEAD impeller (ZUG HP)

Cast iron multi-channel open impeller with high manometric head
Suggested applications:

- Clean, rain and seepage water
- Suitable for applications in agriculture, irrigation and fish farming



CHOPPER impeller (ZUG CP)

Multi-channel impeller in Hard Cast Iron and chopper system
Suggested applications:

- Liquids containing solid parts and fibres
- Suitable for sewage, lifting of not strained black



Impeller with VULKOLLAN coating (ZUG VL)

Channel impeller and pump body in cast iron coated with abrasion-resistant polyurethane (Vulkollan)
Suggested applications:

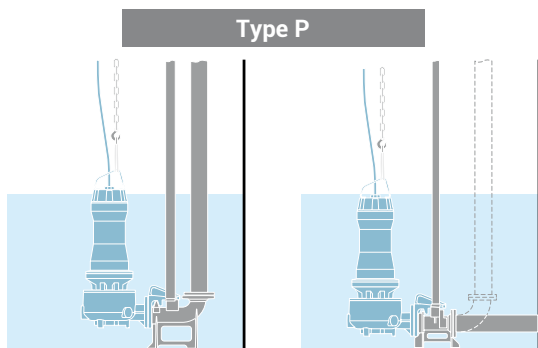
- Transferring ceramic glazes
- Pumping very dense, strongly abrasive liquids

All models with open-channel impeller have an axial adjustment system that maintains the impeller's balance for unchanged pump performance even at first signs of wear.

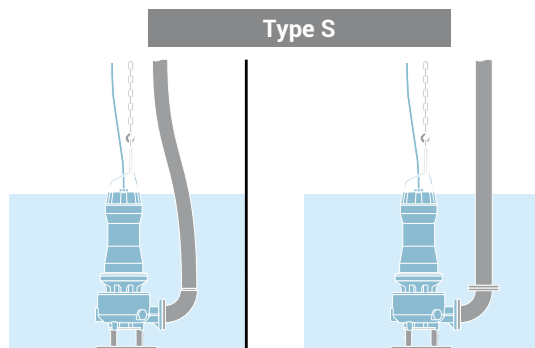
The **ACS (Anti-Clogging System)** consists of a spiral groove of suitable depth cut into the pump body. This prevents clogging of the impeller even with highly fouled liquids, allows stringy items to be pulled out or unwound and renders the hydraulics **clogging-proof**.



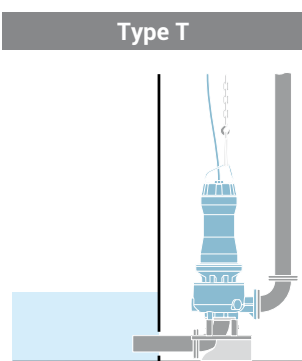
Installation types



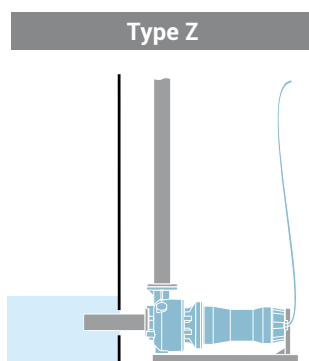
Installation with coupling device with vertical (DAC V) or horizontal (DAC H) discharge. Flushing valve (FLX) admitted.



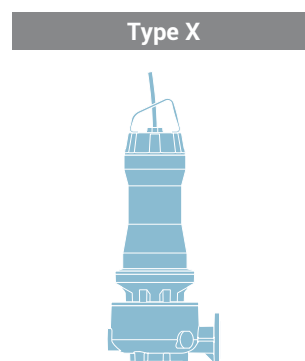
Free installation with base (KBS). Flushing valve (FLX) admitted.



Vertical installation in dry chamber with curved base (KBC).



Horizontal installation in dry chamber with metallic base (KBS-H).



Undefined installation.

Available drilling variants

Installation type	Drilling variant	Accessory required	Discharge flange drilling (*)	Suction flange drilling (*)	KBS drilling	KBS-H drilling	FLX drilling
P	PA	DAC V	●				
	PF		●				●
	PA	DAC H	●				
	PF		●				●
S	SA	KBS	●		●		
	SF		●		●		●
T	TA	KBC	●	●			
	TJ	KBC + KBS	●	●	●		
Z	ZA	KBS-H	●	●		●	
	ZJ	KBS-H	●	●		●	
X	XA	DAC-KBC	●	●			
	XB	DAC-KBC-KBS	●	●			
	XC	DAC-KBC-KBS-KBS-H	●	●		●	
	XE	DAC-KBC-KBS-FLX	●	●			●

(*) EN 1092-2 Tab.8 (PN10)

Key to product code

TYPE

ZUG V 080 B 18.5/2 A W 194 XA

① ② ③ ④ ⑤ ⑥ ⑦ ⑧ ⑨ ⑩ ⑪

- | | | |
|---|---|---|
| ① Product name
ZU = Zenit UNIQA | ③ Type of impeller
OC = open channel
V = vortex
GR = grinder
HP = high pressure
CP = chopper
VL = open channel Vulkollan coated | ⑥ Power in kW |
| ② Construction material
G = Cast iron
B = Bronze
X = Stainless steel | ④ Discharge port diameter in mm | ⑦ Motor poles |
| | ⑤ Hydraulic variant | ⑧ Motor variant |
| | | ⑨ Operating mode
D = Dry
W = Wet |
| | | ⑩ Nominal diameter of impeller (in mm) |
| | | ⑪ Type of installation and flanges drilling |

VERSION

BB 10 400 D5 EX NN

⑫ ⑬ ⑭ ⑮ ⑯ ⑰ ⑱

- | | | |
|----------------------|--|--|
| ⑫ Electrical variant | ⑮ Starting
D = DOL (Direct on line)
Y = star/delta | ⑰ Certification
NN = standard
EX = ATEX, ATEX + IECEx
CX = IECEx only |
| ⑬ Cable length (m) | ⑯ Frequency
5 = 50Hz
6 = 60Hz | ⑱ Customization |
| ⑭ Rated voltage (V) | | |

Models available on request with **ATEX** certification, suitable for installation in the presence of potentially explosive gases, powders and liquids.

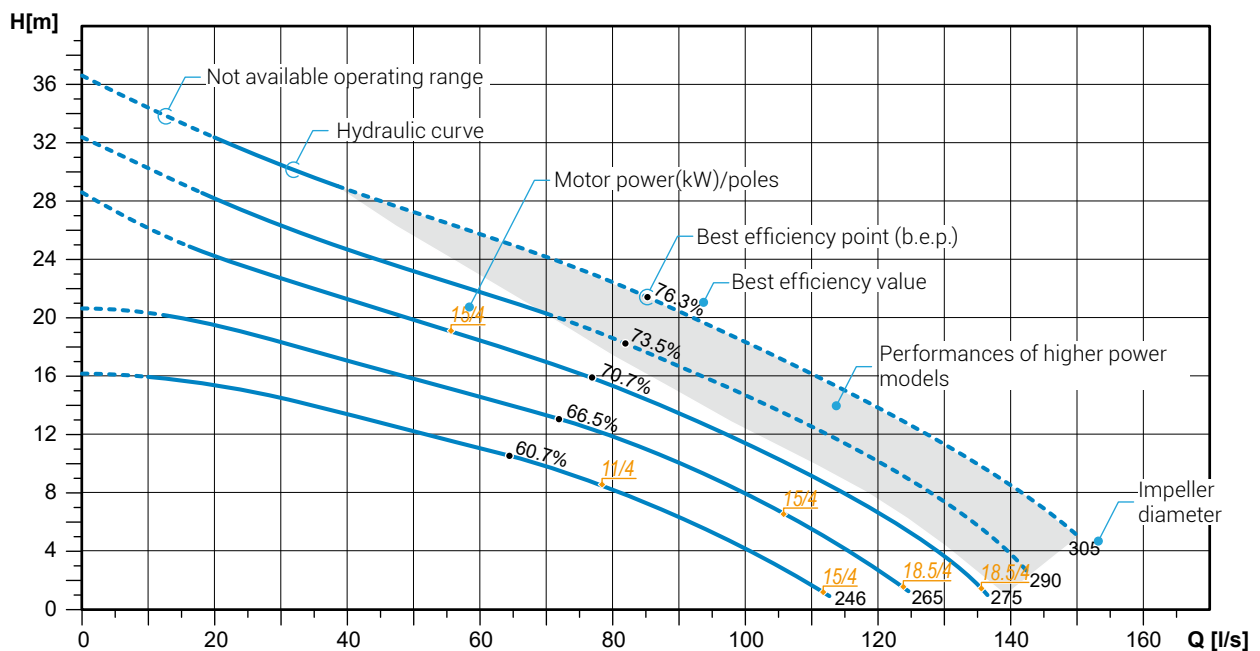
Ex II 2G
Ex db h IIB T4 Gb

(WET version)

Ex II 2GD
Ex db h IIB T4 Gb
Ex h tb IIIC T135°C Db

(DRY version)

Key to hydraulic curves



For more information about performances of higher power models please contact Zenit customer service or see www.zenonavigator.com website.

ZUG V 065A

4 ÷ 9 kW - 2 poles

Hydraulics

Vortex impeller

Free passage: 65 mm

Discharge: DN65 - EN 1092-2

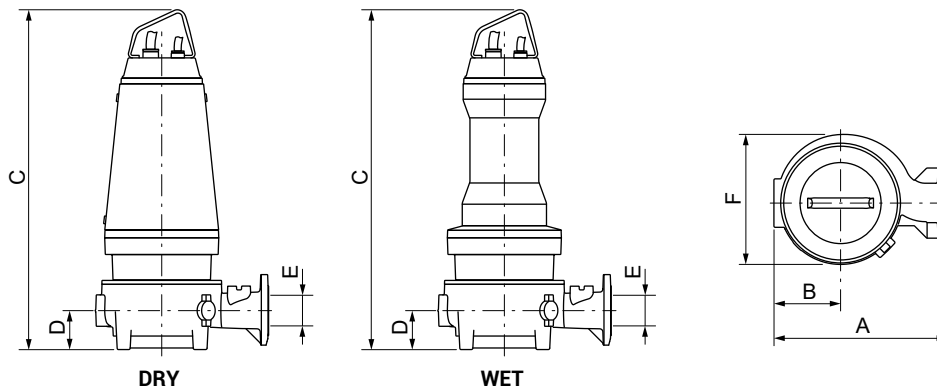
Suction: DN65



Motor (standard configuration)

Type	V/~	Start	A	cos φ	P1 (kW)	P2 (kW)	η mot. %	Efficiency class
4/2 A	400/3	DOL	7.7	0.85	4.5	4.0	88.2	IE3
5.5/2 A	400/3	DOL	10.2	0.88	6.2	5.5	89.2	IE3
7.5/2 A	400/3	DOL	14.1	0.85	8.3	7.5	90.1	IE3
9/2 A	400/3	DOL	16.6	0.87	9.9	9.0	90.7	IE3

Overall dimensions and weight

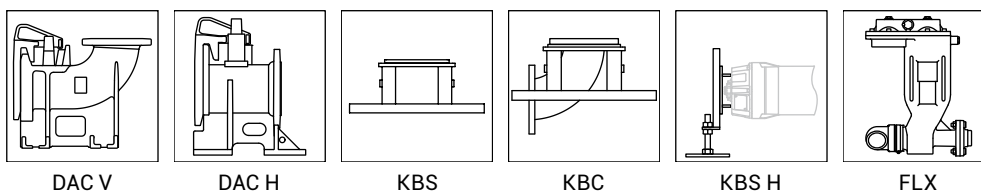


	A	B	C mm		D	E	F	Kg	
	mm	mm	WET	DRY	mm	mm	mm	WET	DRY (*)
ZUG V 065A 4/2 AW (D)	325	140	845	945	90	65	285	121.5	137.5
ZUG V 065A 5.5/2 AW	325	140	845	-	90	65	285	124.5	-
ZUG V 065A 7.5/2 AW	325	140	945	-	90	65	285	137.5	-
ZUG V 065A 9/2 AW	325	140	945	-	90	65	285	141.5	-

(*) Weight for the DRY version includes cooling fluid

W: WET version (submerged operation - S1 duty type) / **D: DRY version** (dry operation - S1 duty type)

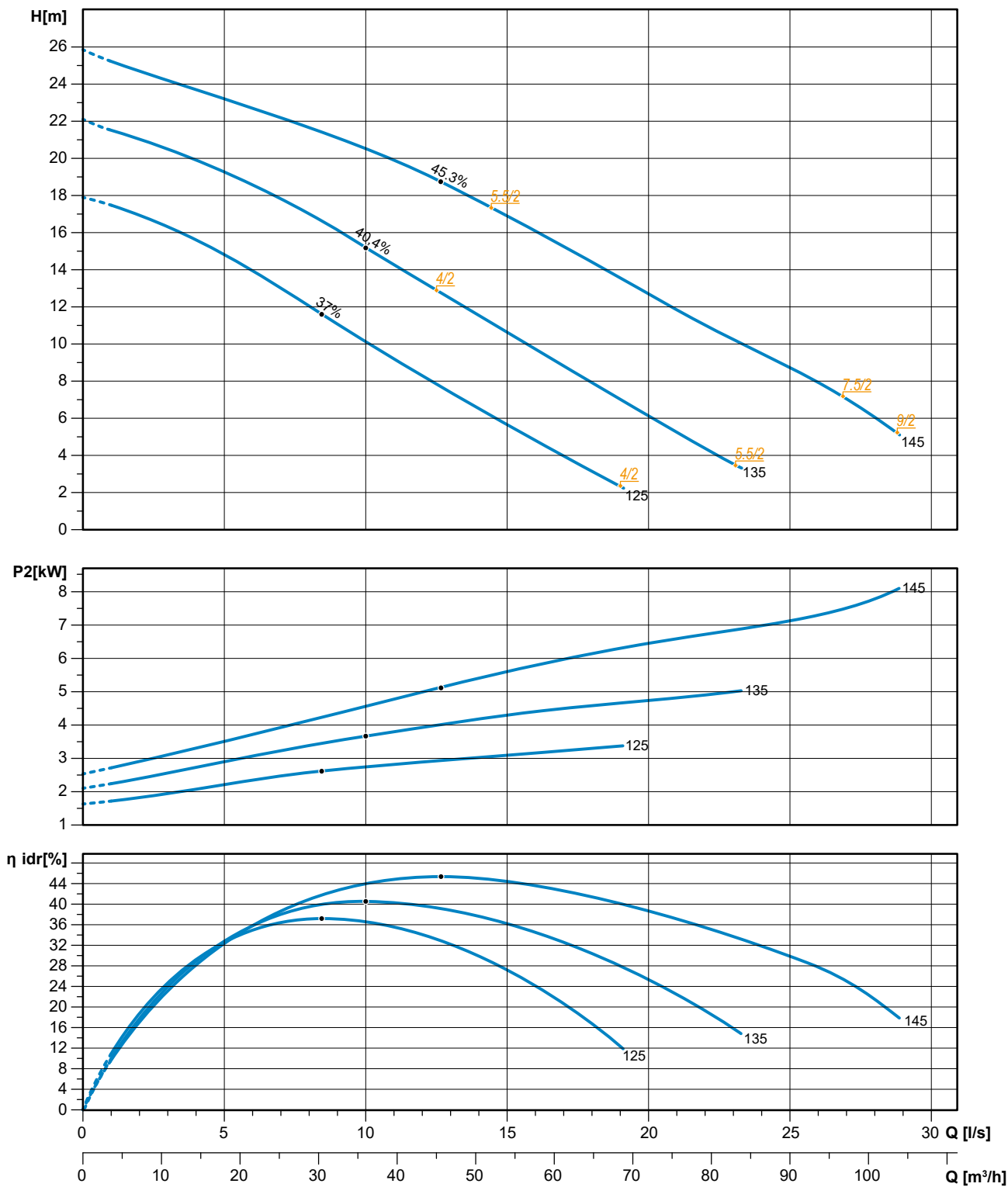
Available accessories



The data provided are not binding. Zenit reserves the right to modify any product without notice.

ZUG V 065A

Performances



Characteristic curves according to UNI EN ISO 9906:2012

ZUG V 080A

4 ÷ 11 kW - 2 poles

Hydraulics

Vortex impeller

Free passage: 80 mm

Discharge: DN80 - EN 1092-2

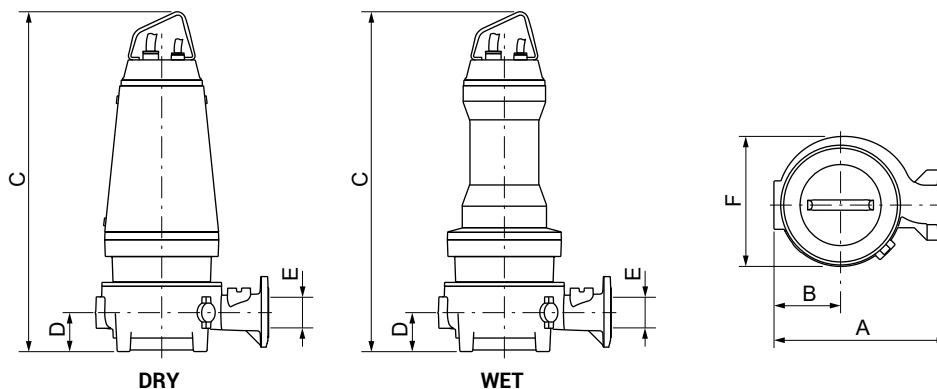
Suction: DN80



Motor (standard configuration)

Type	V/~	Start	A	cos φ	P1 (kW)	P2 (kW)	η mot. %	Efficiency class
4/2 A	400/3	DOL	7.7	0.85	4.5	4.0	88.2	IE3
5.5/2 A	400/3	DOL	10.2	0.88	6.2	5.5	89.2	IE3
7.5/2 A	400/3	DOL	14.1	0.85	8.3	7.5	90.1	IE3
9/2 A	400/3	DOL	16.6	0.87	9.9	9.0	90.7	IE3
11/2 A	400/3	DOL	20.0	0.87	12.0	11.0	91.7	IE3

Overall dimensions and weight

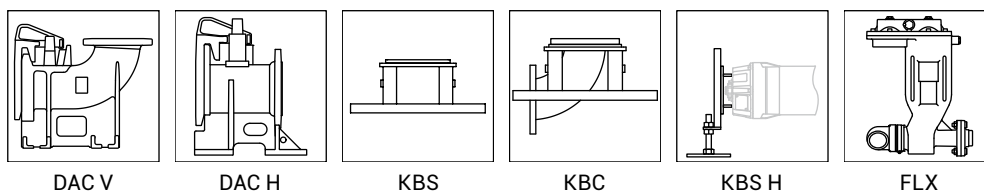


	A mm	B mm	C mm		D mm	E mm	F mm	Kg	
			WET	DRY				WET	DRY (+)
ZUG V 080A 4/2 AW (D)	330	142	854	954	92	80	284	121.9	137.9
ZUG V 080A 5.5/2 AW	330	142	854	-	92	80	284	124.9	-
ZUG V 080A 7.5/2 AW	330	142	954	-	92	80	284	137.9	-
ZUG V 080A 9/2 AW	330	142	954	-	92	80	284	141.9	-
ZUG V 080A 11/2 AW	330	142	954	-	92	80	284	145.9	-

(+) Weight for the DRY version includes cooling fluid

W: WET version (submerged operation - S1 duty type) / **D: DRY version** (dry operation - S1 duty type)

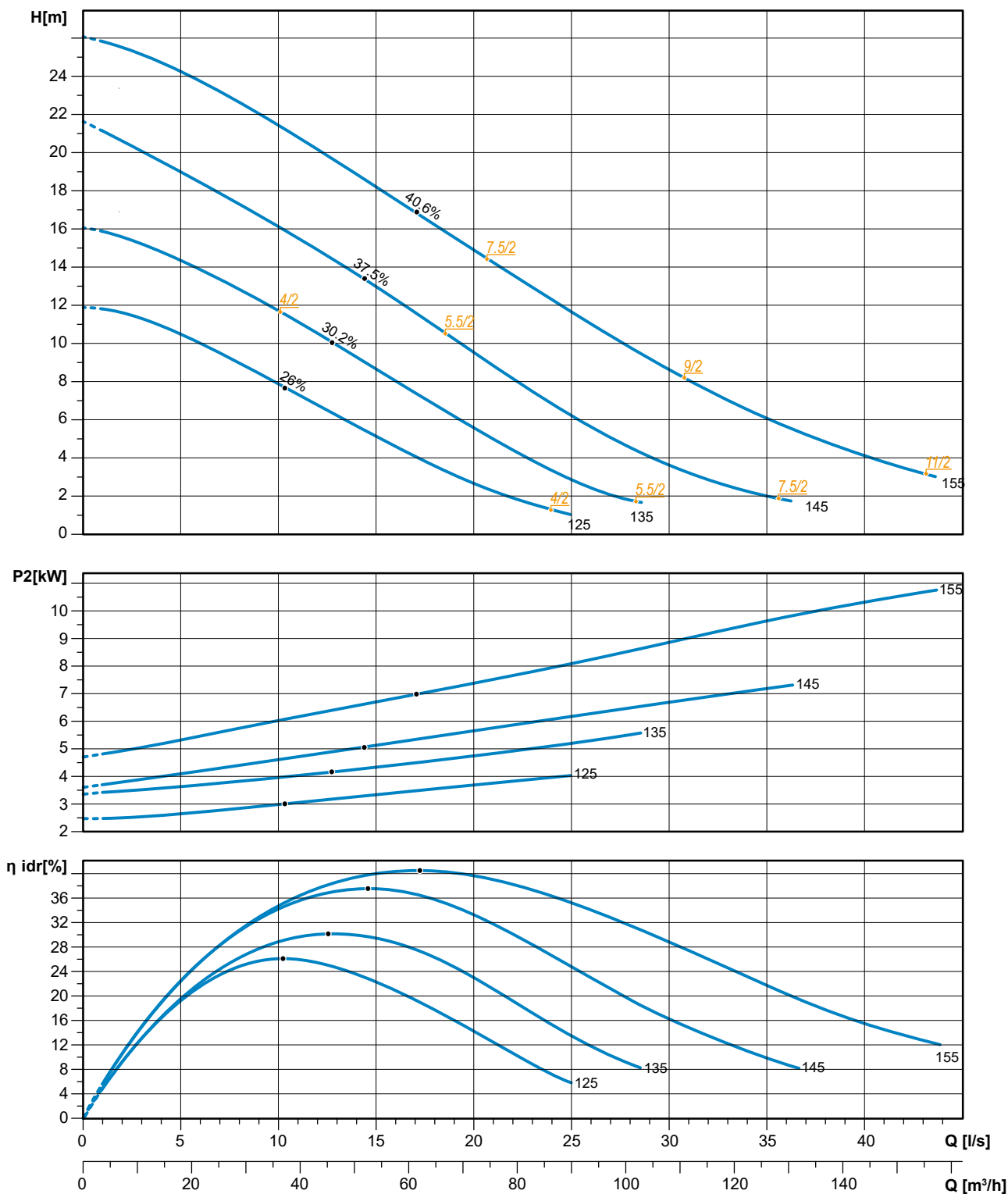
Available accessories



The data provided are not binding. Zenit reserves the right to modify any product without notice.

ZUG V 080A

Performances



Characteristic curves according to UNI EN ISO 9906:2012

ZUG V 080B

7.5 ÷ 18.5 kW - 2 poles

Hydraulics

Vortex impeller

Free passage: 80 mm

Discharge: DN80 - EN 1092-2

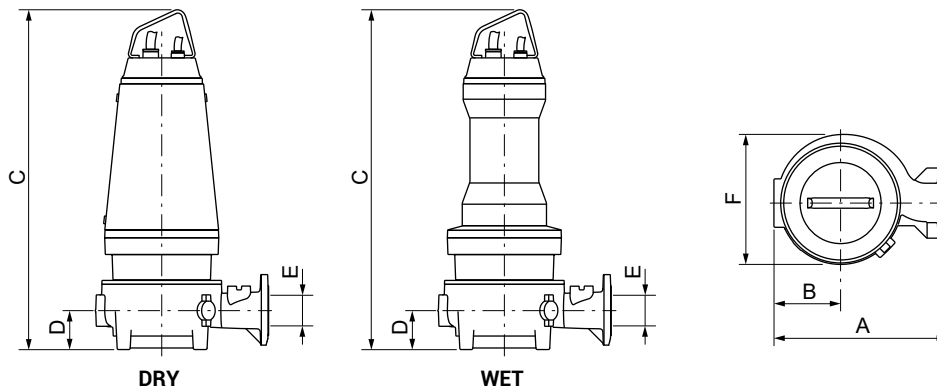
Suction: DN80



Motor (standard configuration)

Type	V/~	Start	A	cos φ	P1 (kW)	P2 (kW)	η mot. %	Efficiency class
7.5/2 A	400/3	DOL	14.1	0.85	8.3	7.5	90.1	IE3
9/2 A	400/3	DOL	16.6	0.87	9.9	9.0	90.7	IE3
11/2 A	400/3	DOL	20.0	0.87	12.0	11.0	91.7	IE3
15/2 A	400-700/3	Y Δ	26.7	0.88	16.3	15.0	91.9	IE3
18.5/2 A	400-700/3	Y Δ	33.1	0.87	20.0	18.5	92.3	IE3

Overall dimensions and weight

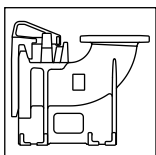


	A mm	B mm	C mm		D mm	E mm	F mm	Kg	
			WET	DRY				WET	DRY (+)
ZUG V 080B 7.5/2 AW (D)	401	168	954	1030	92	80	323	158.2	242.2
ZUG V 080B 9/2 AW (D)	401	168	954	1030	92	80	323	162.2	246.2
ZUG V 080B 11/2 AW (D)	401	168	954	1030	92	80	323	166.2	250.2
ZUG V 080B 15/2 AW (D)	414	181	1121	1121	92	80	363	229.3	264.9
ZUG V 080B 18.5/2 AW (D)	414	181	1121	1121	92	80	363	238.8	274.4

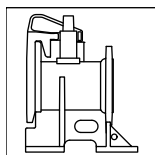
(+) Weight for the DRY version includes cooling fluid

W: WET version (submerged operation - S1 duty type) / **D: DRY version** (dry operation - S1 duty type)

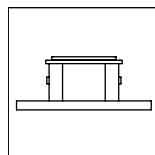
Available accessories



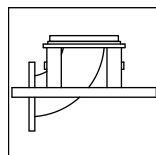
DAC V



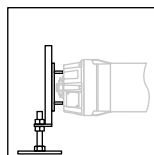
DAC H



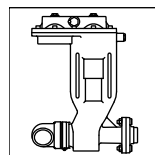
KBS



KBC



KBS H

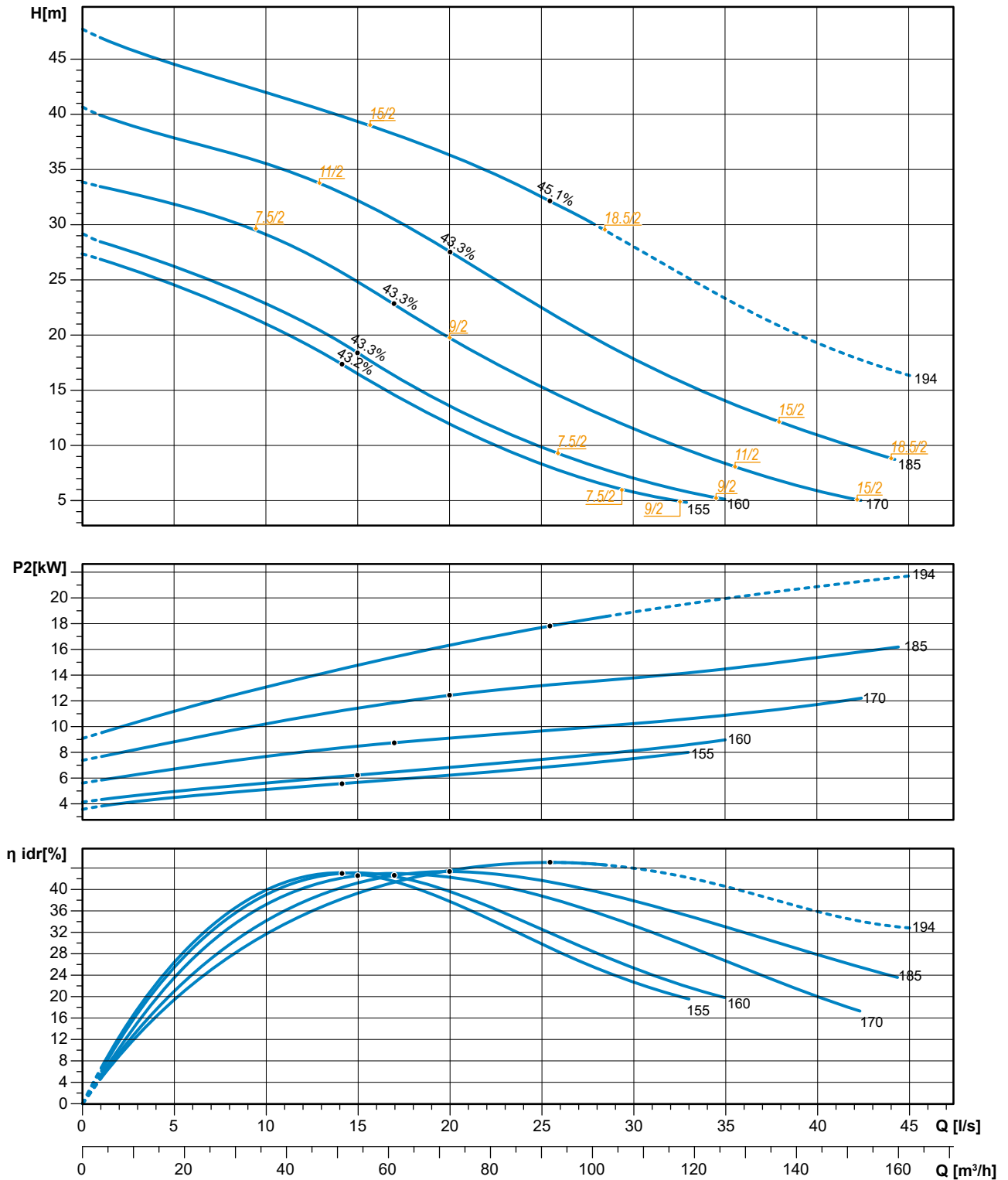


FLX

The data provided are not binding. Zenit reserves the right to modify any product without notice.

ZUG V 080B

Performances



Characteristic curves according to UNI EN ISO 9906:2012

ZUG V 080C

3 ÷ 5.5 kW - 4 poles

Hydraulics

Vortex impeller

Free passage: 65 mm

Discharge: DN80 - EN 1092-2

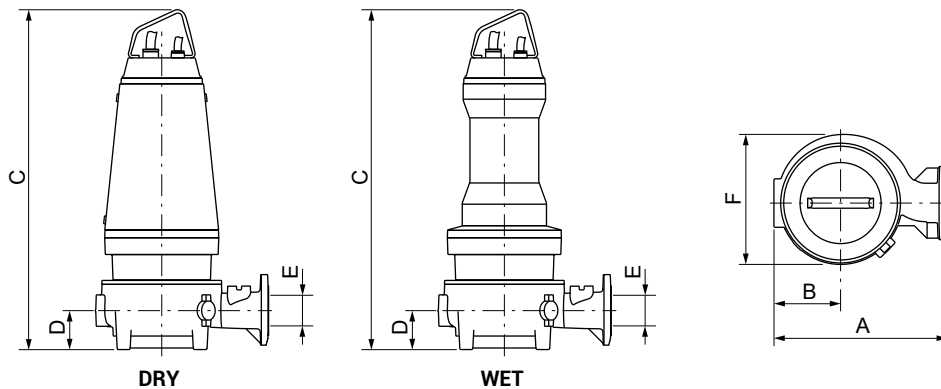
Suction: DN80



Motor (standard configuration)

Type	V/~	Start	A	cos φ	P1 (kW)	P2 (kW)	η mot. %	Efficiency class
3/4 A	400/3	DOL	6.6	0.75	3.4	3.0	87.7	IE3
4/4 A	400/3	DOL	8.4	0.77	4.5	4.0	88.7	IE3
5.5/4 A	400/3	DOL	11.7	0.76	6.1	5.5	89.6	IE3

Overall dimensions and weight

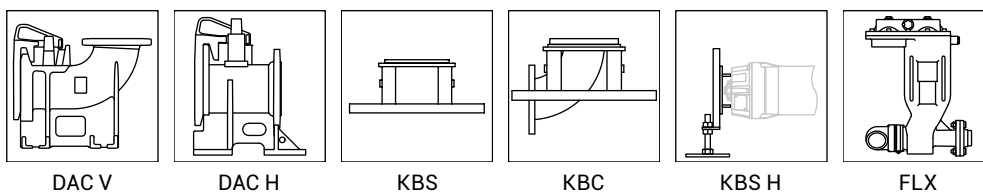


	A	B	C mm		D	E	F	Kg	
	mm	mm	WET	DRY	mm	mm	mm	WET	DRY (+)
ZUG V 080C 3/4 AW	397.5	162.5	855	-	90	80	325	147.8	-
ZUG V 080C 4/4 AW (D)	397.5	162.5	955	1030	90	80	325	181.8	250.8
ZUG V 080C 5.5/4 AW (D)	397.5	162.5	955	1030	90	80	325	185.8	250.8

(*) Weight for the DRY version includes cooling fluid

W: WET version (submerged operation - S1 duty type) / **D: DRY version** (dry operation - S1 duty type)

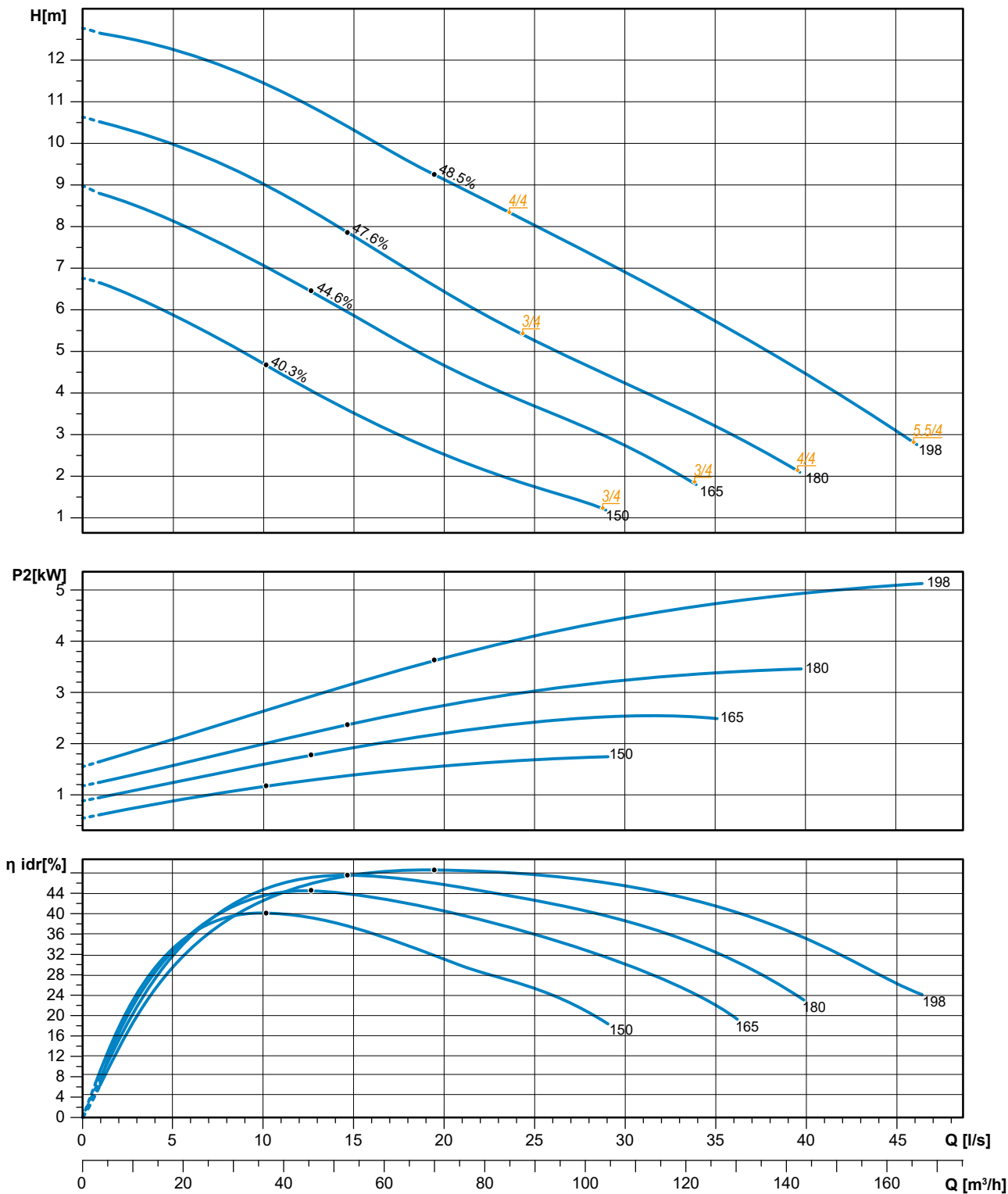
Available accessories



The data provided are not binding. Zenit reserves the right to modify any product without notice.

ZUG V 080C

Performances



Characteristic curves according to UNI EN ISO 9906:2012

ZUG V 080D - 2p

15 ÷ 37 kW - 2 poles

Hydraulics

Vortex impeller

Free passage: 60 mm

Discharge: DN80 - EN 1092-2

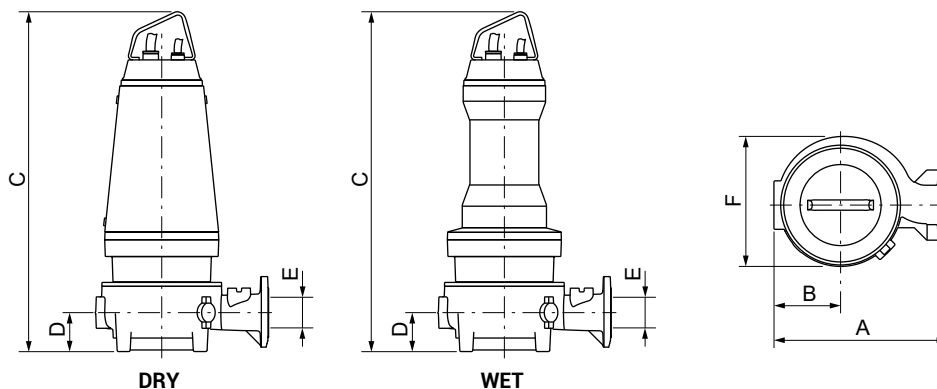
Suction: DN80



Motor (standard configuration)

Type	V/~	Start	A	cos φ	P1 (kW)	P2 (kW)	η mot. %	Efficiency class
15/2 A	400-700/3	Y Δ	26.7	0.88	16.3	15.0	91.9	IE3
18.5/2 A	400-700/3	Y Δ	33.1	0.87	20.0	18.5	92.3	IE3
22/2 A	400-700/3	Y Δ	39.3	0.87	23.7	22.0	92.8	IE3
30/2 A	400-700/3	Y Δ	51.0	0.91	32.2	30.0	93.3	IE3
37/2 H	400-700/3	Y Δ	64.1	0.90	40.1	37.0	92.3	IE2

Overall dimensions and weight

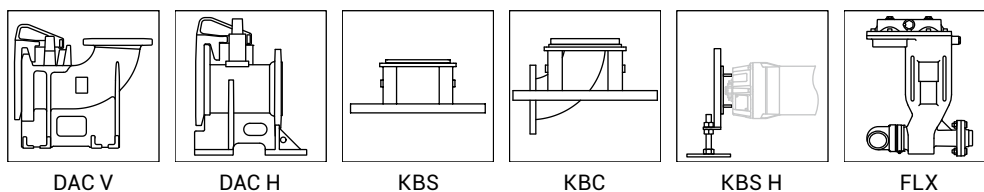


	A mm	B mm	C mm		D mm	E mm	F mm	Kg	
			WET	DRY				WET	DRY (+)
ZUG V 080D 15/2 AW (D)	484	194	1103	1103	80	80	374	224	259.6
ZUG V 080D 18.5/2 AW (D)	484	194	1103	1103	80	80	374	233.5	269.1
ZUG V 080D 22/2 AW (D)	491	201	1154	1154	80	80	403	290.6	337.6
ZUG V 080D 30/2 AW (D)	491	201	1154	1154	80	80	403	300.8	347.8
ZUG V 080D 37/2 HW (D)	491	201	1154	1154	80	80	403	300.8	347.8

(+) Weight for the DRY version includes cooling fluid

W: WET version (submerged operation - S1 duty type) / **D: DRY version** (dry operation - S1 duty type)

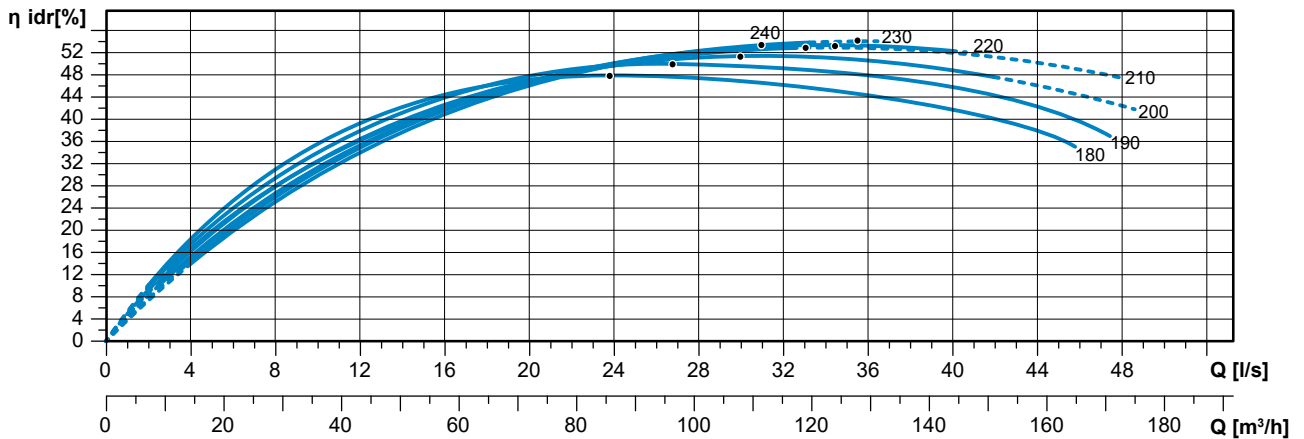
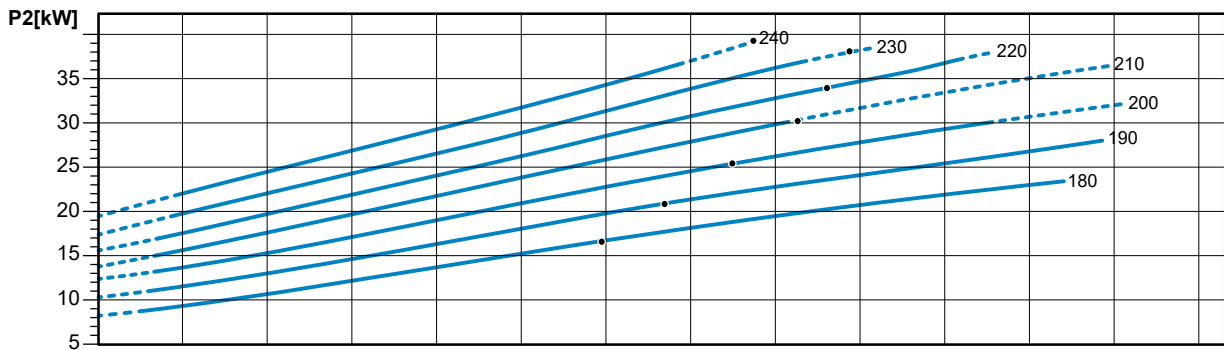
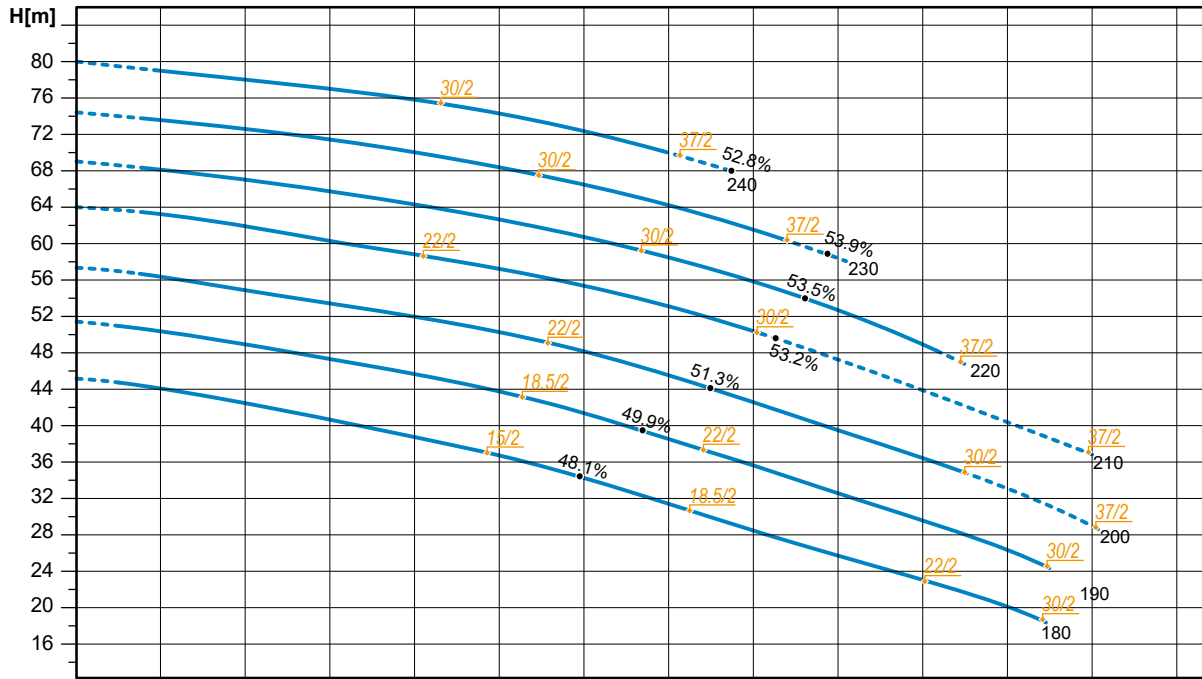
Available accessories



The data provided are not binding. Zenit reserves the right to modify any product without notice.

ZUG V 080D - 2p

Performances



Characteristic curves according to UNI EN ISO 9906:2012

ZUG V 080D - 4p

4 ÷ 15 kW - 4 poles

Hydraulics

Vortex impeller

Free passage: 60 mm

Discharge: DN80 - EN 1092-2

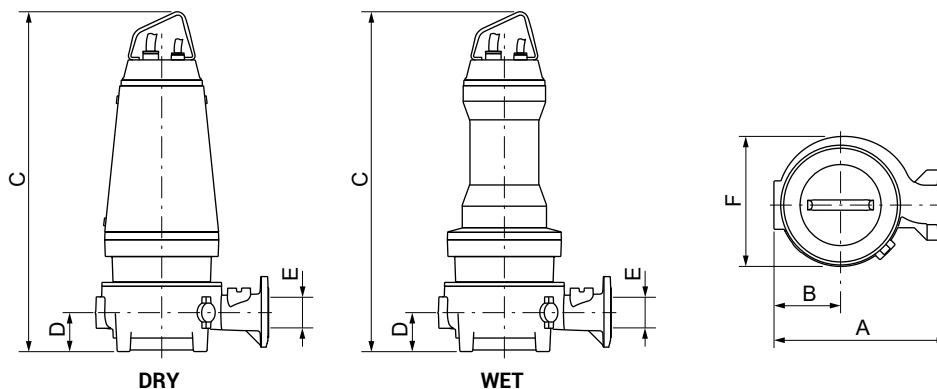
Suction: DN80



Motor (standard configuration)

Type	V/~	Start	A	cos φ	P1 (kW)	P2 (kW)	η mot. %	Efficiency class
4/4 A	400/3	DOL	8.4	0.77	4.5	4.0	88.7	IE3
5.5/4 A	400/3	DOL	11.7	0.76	6.1	5.5	89.6	IE3
7.5/4 A	400-700/3	Y Δ	14.5	0.83	8.3	7.5	90.4	IE3
9/4 A	400-700/3	Y Δ	18.3	0.78	9.9	9.0	90.8	IE3
11/4 A	400-700/3	Y Δ	21.3	0.81	12.0	11.0	91.4	IE3
15/4 A	400-700/3	Y Δ	28.2	0.84	16.3	15.0	91.9	IE3

Overall dimensions and weight

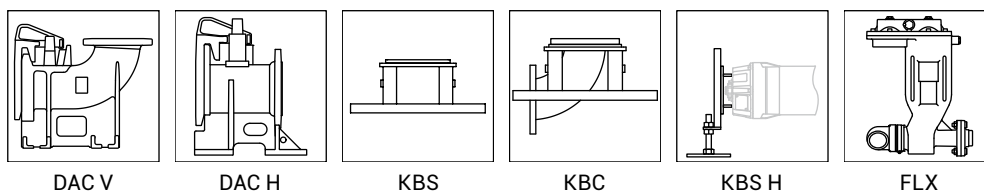


	A mm	B mm	C mm		D mm	E mm	F mm	Kg	
			WET	DRY				WET	DRY (+)
ZUG V 080D 4/4 AW (D)	484	194	937	1013	80	80	374	158	243
ZUG V 080D 5.5/4 AW (D)	484	194	937	1013	80	80	374	161	247
ZUG V 080D 7.5/4 AW (D)	484	194	1013	1013	80	80	374	210.3	245.3
ZUG V 080D 9/4 AW (D)	484	194	1103	1103	80	80	374	231.3	264.3
ZUG V 080D 11/4 AW (D)	491	201	1154	1154	80	80	403	282.5	329.5
ZUG V 080D 15/4 AW (D)	491	201	1154	1154	80	80	403	296.2	343.2

(+) Weight for the DRY version includes cooling fluid

W: WET version (submerged operation - S1 duty type) / **D: DRY version** (dry operation - S1 duty type)

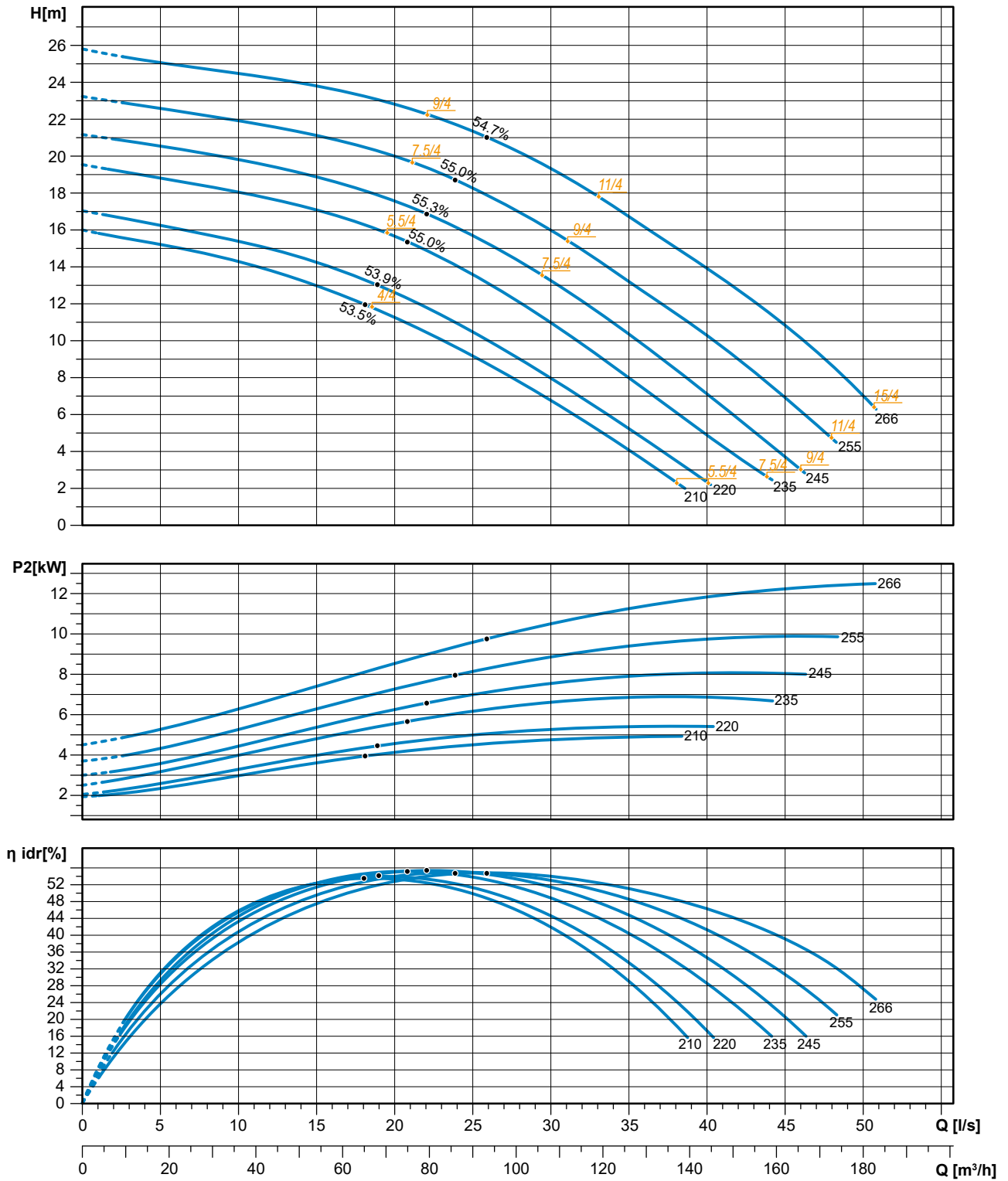
Available accessories



The data provided are not binding. Zenit reserves the right to modify any product without notice.

ZUG V 080D - 4p

Performances



Characteristic curves according to UNI EN ISO 9906:2012

ZUG V 080E

7.5 ÷ 11 kW - 2 poles

Hydraulics

Vortex impeller

Free passage: 80 mm

Discharge: DN80 - EN 1092-2

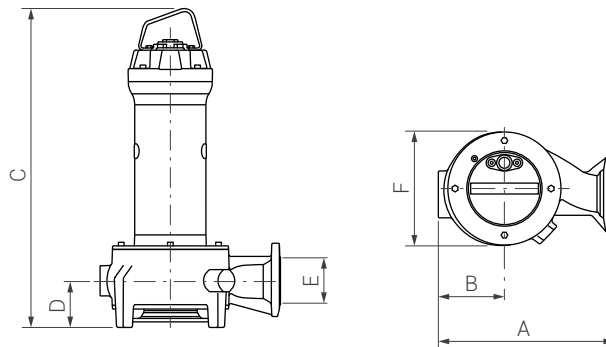
Suction: DN80



Motor (standard configuration)

Type	V/~	Start	A	cos φ	P1 (kW)	P2 (kW)	η mot. %	Efficiency class
7,5/2 B	400/3	DOL	14.1	0.85	8.3	7.5	90.1	IE3
9/2 B	400/3	DOL	16.6	0.87	9.9	9.0	90.7	IE3
11/2 B	400/3	DOL	20.0	0.87	11.0	12.0	91.7	IE3

Overall dimensions and weight

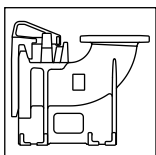


	A mm	B mm	C mm		D mm	E mm	F mm	Kg	
			WET	DRY				WET	DRY (+)
ZUG V 080E 7.5/2 BW	386	156	873	-	80	80	306	105	-
ZUG V 080E 9/2 BW	386	156	873	-	80	80	306	108	-
ZUG V 080E 11/2 BW	386	156	873	-	80	80	306	111	-

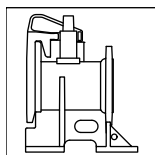
(*) Weight for the DRY version includes cooling fluid

W: WET version (submerged operation - S1 duty type) / **D: DRY version** (dry operation - S1 duty type)

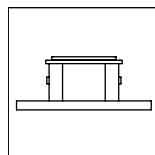
Available accessories



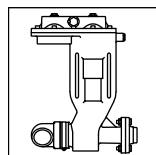
DAC V



DAC H



KBS

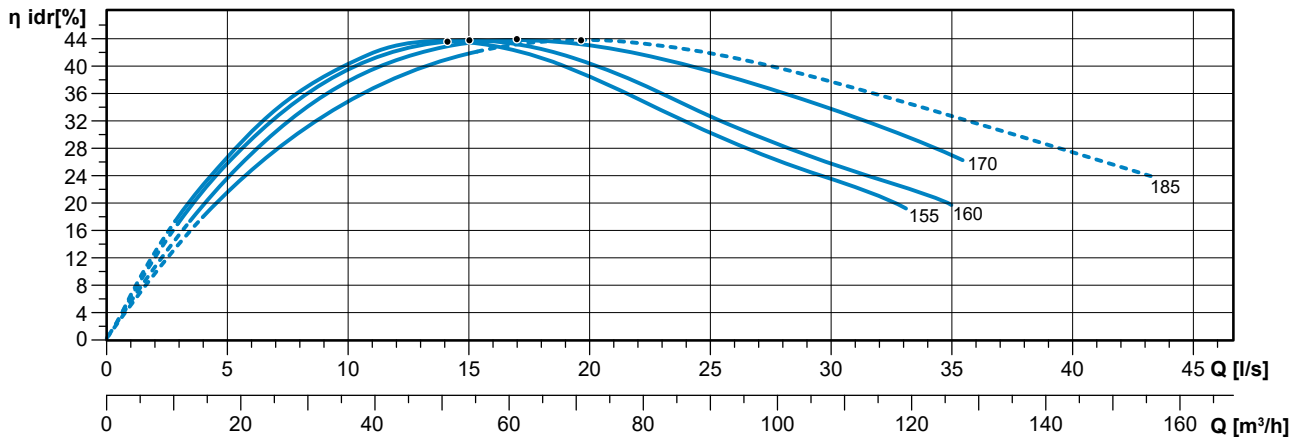
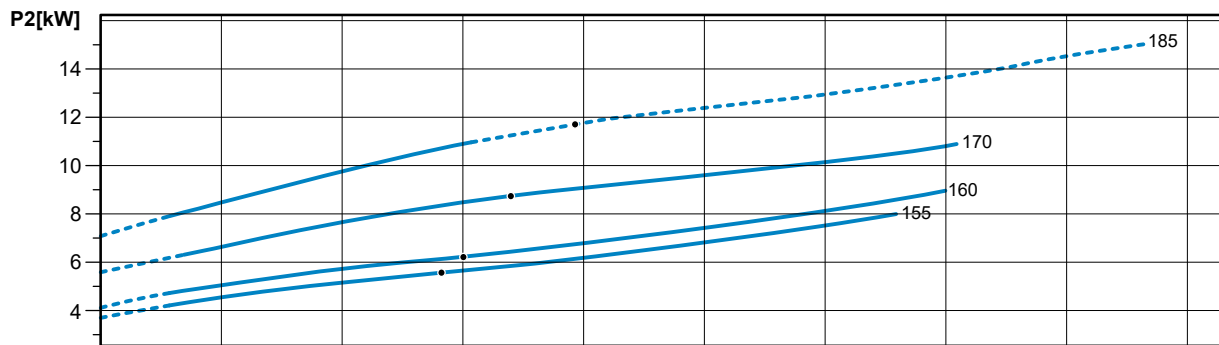
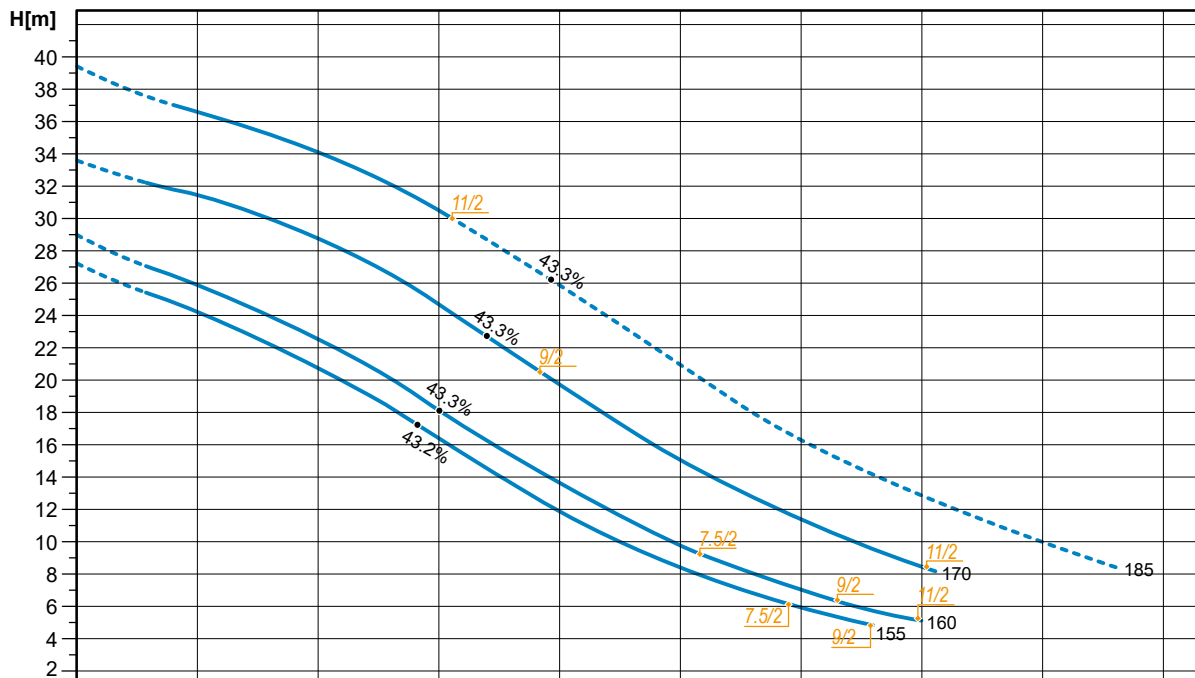


FLX

The data provided are not binding. Zenit reserves the right to modify any product without notice.

ZUG V 080E

Performances



Characteristic curves according to UNI EN ISO 9906:2012

ZUG V 080H

3 kW - 2 poles

Hydraulics

Vortex impeller

Free passage: 80 mm

Discharge: DN80 - EN 1092-2

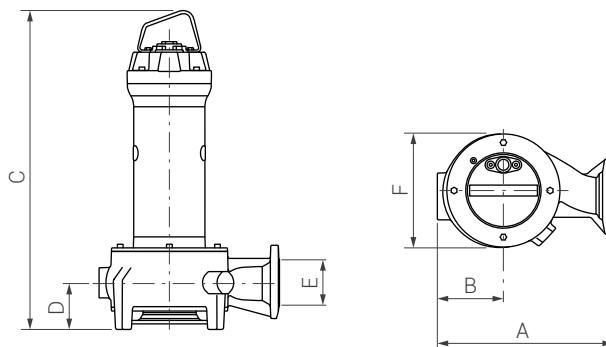
Suction: DN80



Motor (standard configuration)

Type	V/~	Start	A	cos φ	P1 (kW)	P2 (kW)	η mot. %	Efficiency class
3/2 B	400/3	DOL	6.0	0.83	3.4	3.0	87.1	IE3

Overall dimensions and weight

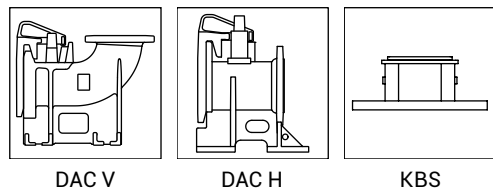


	A mm	B mm	C mm		D mm	E mm	F mm	Kg	
			WET	DRY				WET	DRY (*)
ZUG V 080H 3/2 BW	312	120	652	-	80	80	236	48.3	-

(*) Weight for the DRY version includes cooling fluid

W: WET version (submerged operation - S1 duty type) / **D: DRY version** (dry operation - S1 duty type)

Available accessories



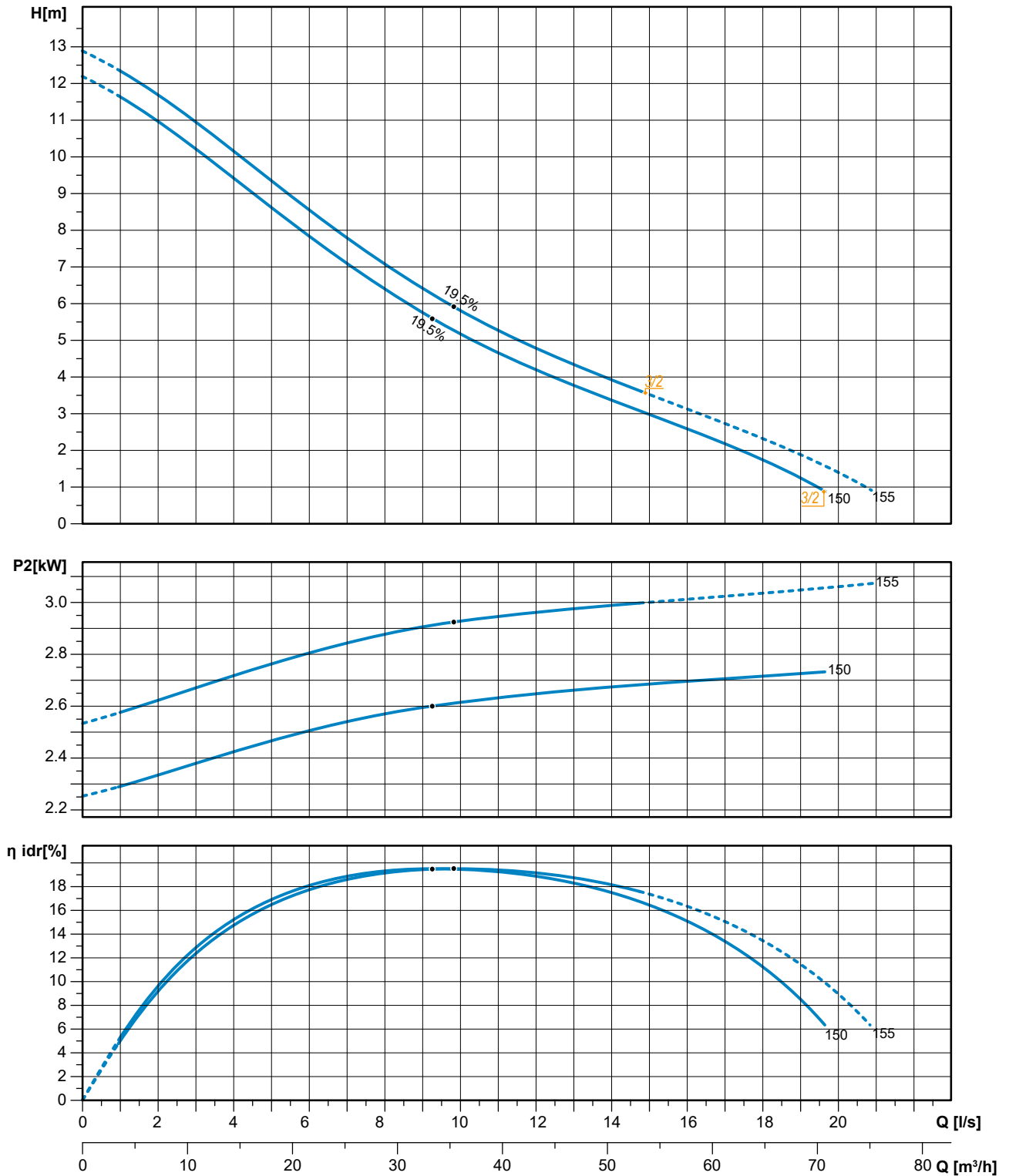
DAC V

DAC H

KBS

ZUG V 080H

Performances



Characteristic curves according to UNI EN ISO 9906:2012

ZUG V 100A

15 ÷ 37 kW - 2 poles

Hydraulics

Vortex impeller

Free passage: 100 mm

Discharge: DN100 - EN 1092-2

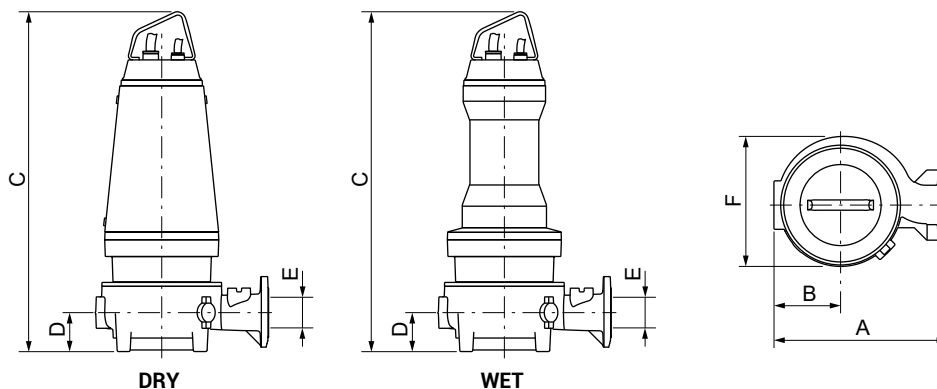
Suction: DN100



Motor (standard configuration)

Type	V/~	Start	A	cos φ	P1 (kW)	P2 (kW)	η mot. %	Efficiency class
15/2 A	400-700/3	Y Δ	26.7	0.88	16.3	15.0	91.9	IE3
18.5/2 A	400-700/3	Y Δ	33.1	0.87	20.0	18.5	92.3	IE3
22/2 A	400-700/3	Y Δ	39.3	0.87	23.7	22.0	92.8	IE3
30/2 A	400-700/3	Y Δ	51.0	0.91	32.2	30.0	93.3	IE3
37/2 H	400-700/3	Y Δ	64.1	0.90	40.1	37.0	92.3	IE2

Overall dimensions and weight

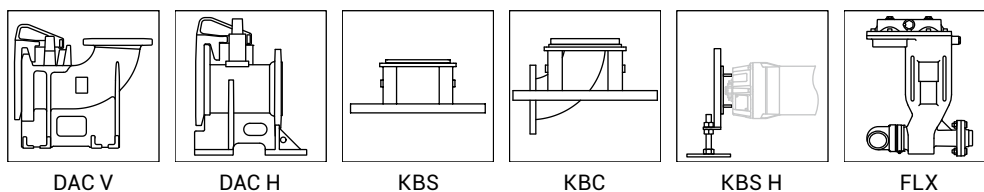


	A mm	B mm	C mm		D mm	E mm	F mm	Kg	
			WET	DRY				WET	DRY (+)
ZUG V 100A 15/2 AW (D)	496	190	1168	1168	110	100	373	231.2	266.8
ZUG V 100A 18.5/2 AW (D)	496	190	1168	1168	110	100	373	240.7	266.8
ZUG V 100A 22/2 AW (D)	507	201	1219	1219	110	100	403	297.8	344.8
ZUG V 100A 30/2 AW (D)	507	201	1219	1219	110	100	403	308	355
ZUG V 100A 37/2 HW (D)	507	201	1219	1219	110	100	403	308	355

(+) Weight for the DRY version includes cooling fluid

W: WET version (submerged operation - S1 duty type) / **D: DRY version** (dry operation - S1 duty type)

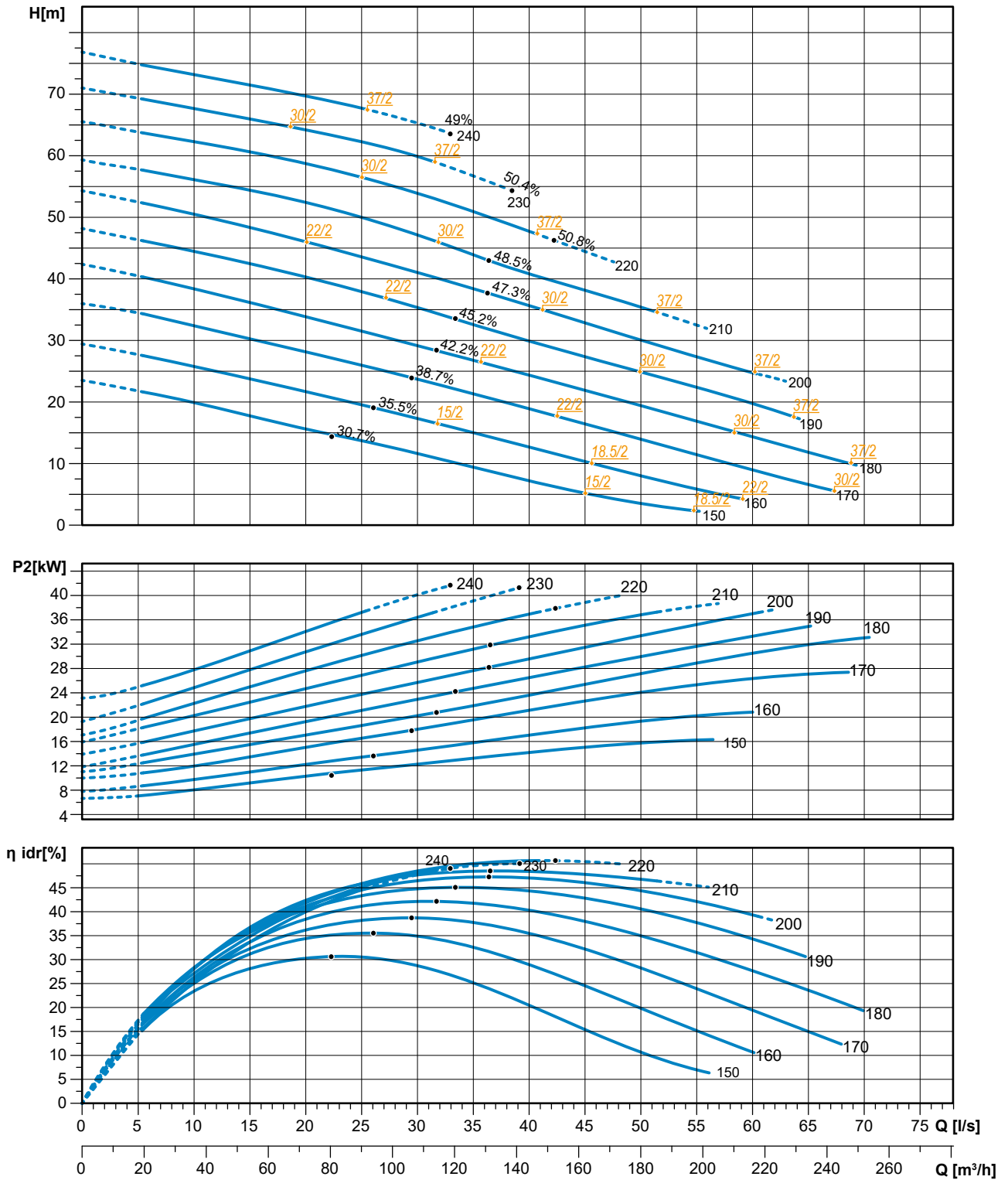
Available accessories



The data provided are not binding. Zenit reserves the right to modify any product without notice.

ZUG V 100A

Performances



Characteristic curves according to UNI EN ISO 9906:2012

ZUG V 100B

3 ÷ 15 kW - 4 poles

Hydraulics

Vortex impeller

Free passage: 100 mm

Discharge: DN100 - EN 1092-2

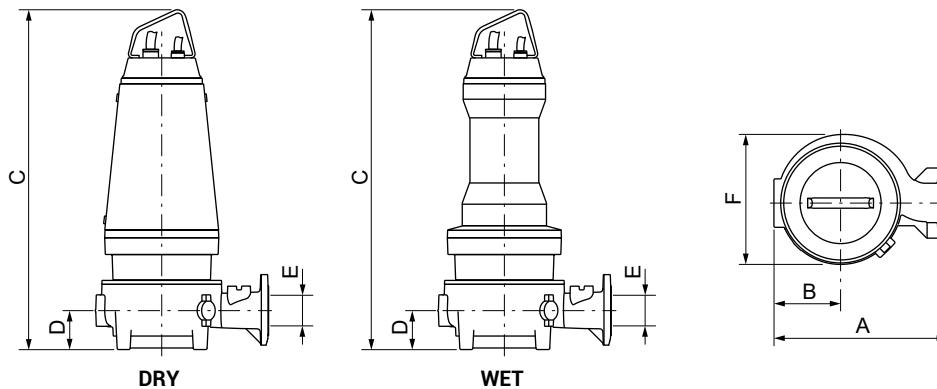
Suction: DN100



Motor (standard configuration)

Type	V/~	Start	A	cos φ	P1 (kW)	P2 (kW)	η mot. %	Efficiency class
3/4 A	400/3	DOL	6.6	0.75	3.4	3.0	87.7	IE3
4/4 A	400/3	DOL	8.4	0.77	4.5	4.0	88.7	IE3
5.5/4 A	400/3	DOL	11.7	0.76	6.1	5.5	89.6	IE3
7.5/4 A	400-700/3	Y Δ	14.5	0.83	8.3	7.5	90.4	IE3
9/4 A	400-700/3	Y Δ	18.3	0.78	9.9	9.0	90.8	IE3
11/4 A	400-700/3	Y Δ	21.3	0.81	12.0	11.0	91.4	IE3
15/4 A	400-700/3	Y Δ	28.2	0.84	16.3	15.0	91.9	IE3

Overall dimensions and weight

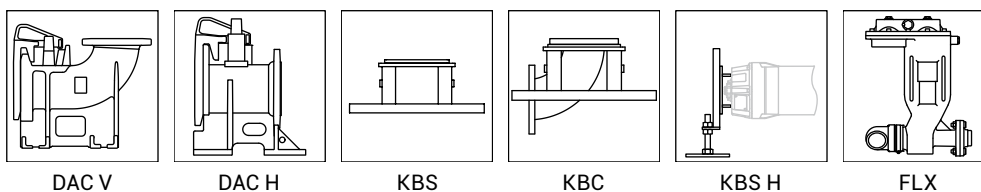


	A mm	B mm	C mm		D mm	E mm	F mm	Kg	
			WET	DRY				WET	DRY (+)
ZUG V 100B 3/4 AW	496	190	902	-	110	100	373	147.2	-
ZUG V 100B 4/4 AW (D)	496	190	1001	1078	110	100	373	171.2	250.2
ZUG V 100B 5.5/4 AW (D)	496	190	1001	1078	110	100	373	185.2	254.2
ZUG V 100B 7.5/4 AW (D)	496	190	1078	1078	110	100	373	217.5	254.2
ZUG V 100B 9/4 AW (D)	496	190	1168	1168	110	100	373	238.5	271.5
ZUG V 100B 11/4 AW (D)	507	201	1219	1219	110	100	403	289.7	336.7
ZUG V 100B 15/4 AW (D)	507	201	1219	1219	110	100	403	303.4	350.4

(+) Weight for the DRY version includes cooling fluid

W: WET version (submerged operation - S1 duty type) / **D: DRY version** (dry operation - S1 duty type)

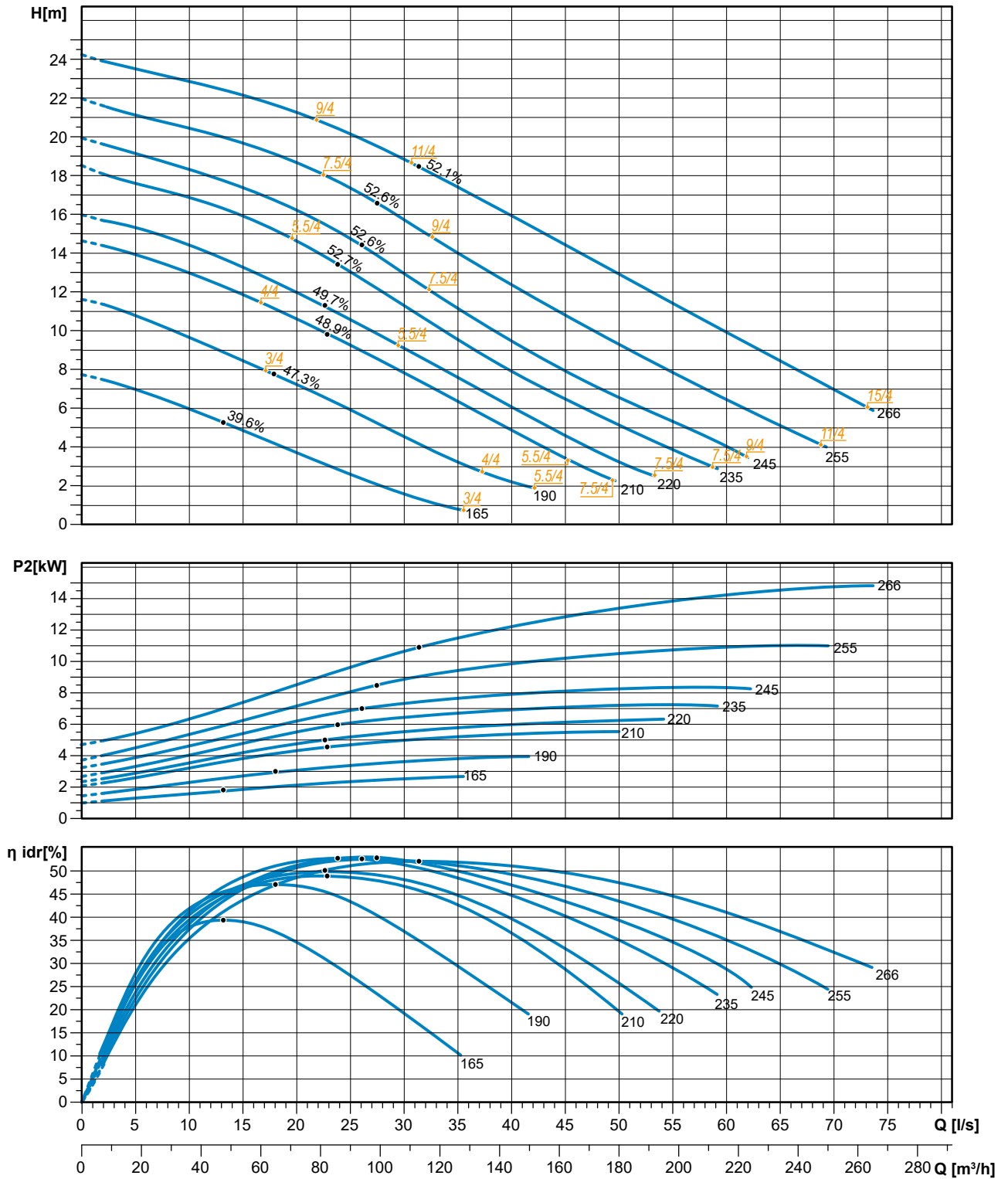
Available accessories



The data provided are not binding. Zenit reserves the right to modify any product without notice.

ZUG V 100B

Performances



Characteristic curves according to UNI EN ISO 9906:2012

ZUG V 100G

1.1 ÷ 1.5 kW - 6 poles

Hydraulics

Vortex impeller

Free passage: 80 mm

Discharge: DN100 - EN 1092-2

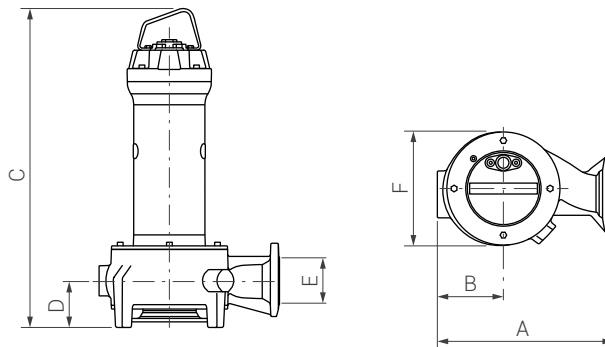
Suction: DN100



Motor (standard configuration)

Type	V/~	Start	A	cos φ	P1 (kW)	P2 (kW)	η mot. %	Efficiency class
1.1/6 B	400/3	DOL	2.9	0.67	1.4	1.1	81.0	IE3
1.5/6 B	400/3	DOL	3.7	0.70	1.8	1.5	82.5	IE3

Overall dimensions and weight

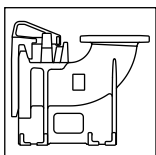


	A mm	B mm	C mm		D mm	E mm	F mm	Kg	
			WET	DRY				WET	DRY (*)
ZUG V 100G 1.1/6 BW	408	158	695	-	91	100	305	61.0	-
ZUG V 100 1.5/6 BW	408	158	752	-	91	100	305	79.0	-

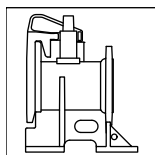
(*) Weight for the DRY version includes cooling fluid

W: WET version (submerged operation - S1 duty type) / **D: DRY version** (dry operation - S1 duty type)

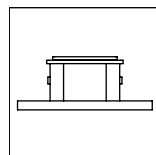
Available accessories



DAC V



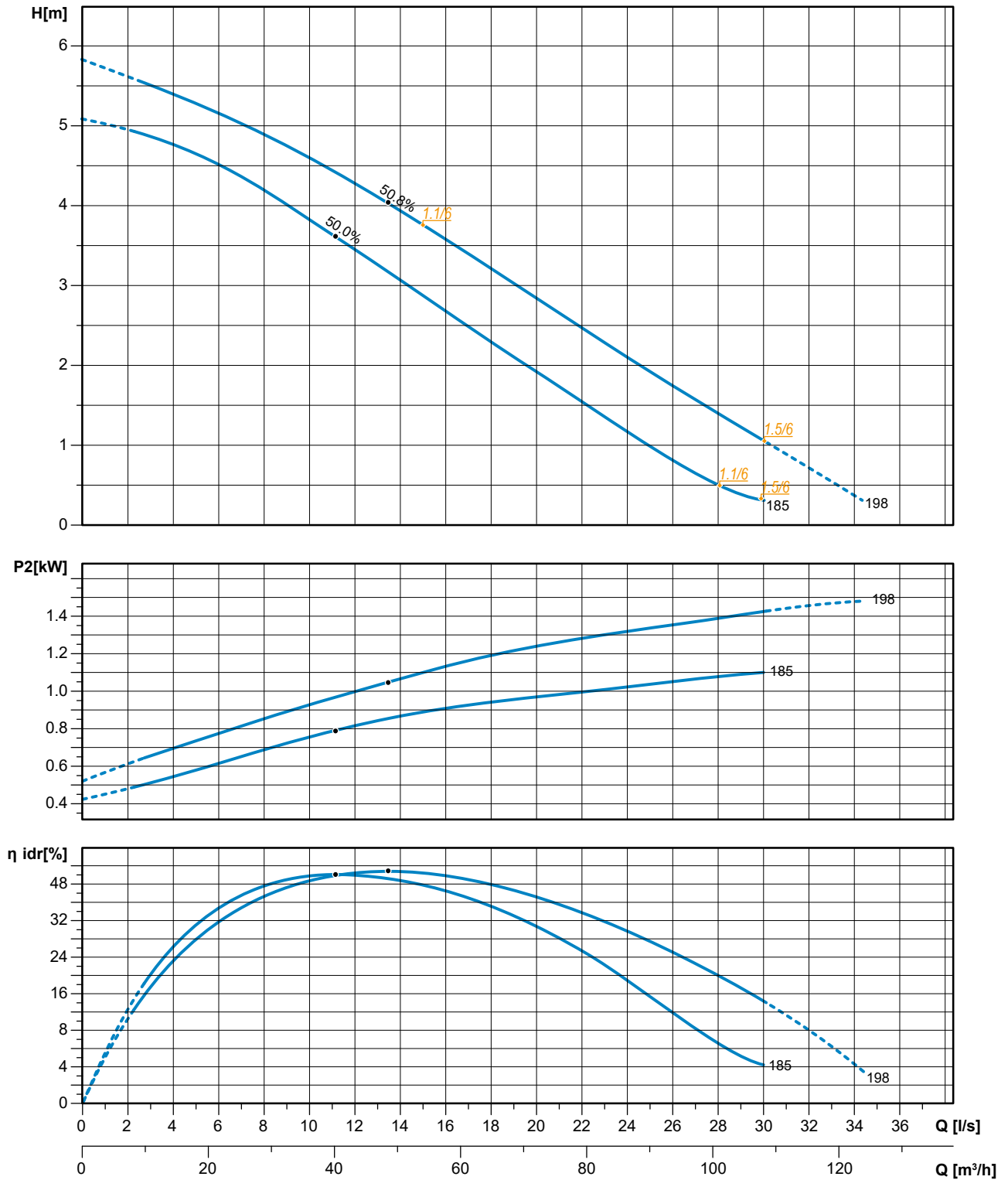
DAC H



KBS

ZUG V 100G

Performances



Characteristic curves according to UNI EN ISO 9906:2012

ZUG V 150A

7.5 ÷ 15 kW - 4 poles

Hydraulics

Vortex impeller

Free passage: 125 mm

Discharge: DN150 - EN 1092-2

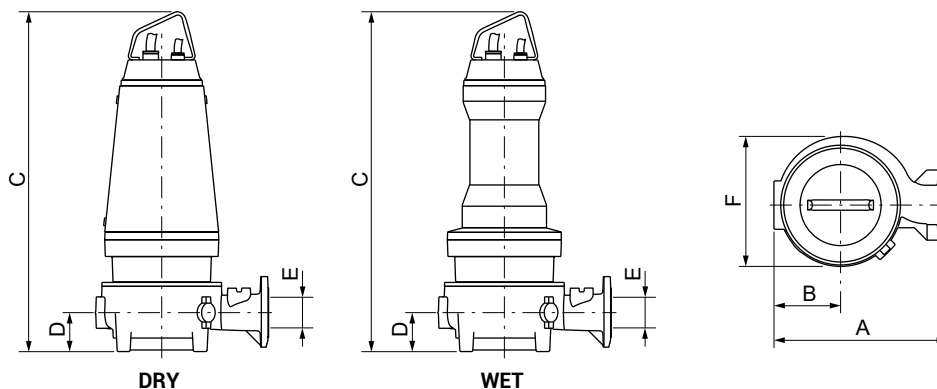
Suction: DN150



Motor (standard configuration)

Type	V/~	Start	A	cos φ	P1 (kW)	P2 (kW)	η mot. %	Efficiency class
7.5/4 A	400-700/3	Y Δ	14.5	0.83	8.3	7.5	90.4	IE3
9/4 A	400-700/3	Y Δ	18.3	0.78	9.9	9.0	90.8	IE3
11/4 A	400-700/3	Y Δ	21.3	0.81	12.0	11.0	91.4	IE3
15/4 A	400-700/3	Y Δ	28.2	0.84	16.3	15.0	91.9	IE3

Overall dimensions and weight

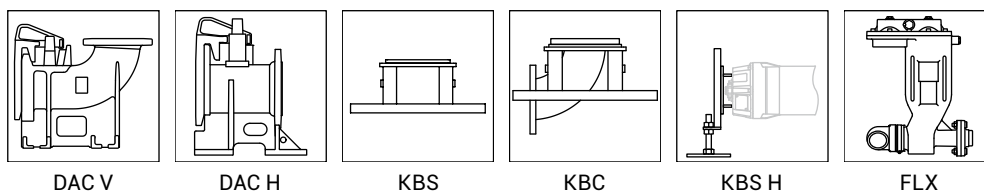


	A mm	B mm	C mm		D mm	E mm	F mm	Kg	
			WET	DRY				WET	DRY (*)
ZUG V 150A 7.5/4 AW (D)	545	212	1103	1103	135	150	401	229.7	264.7
ZUG V 150A 9/4 AW (D)	545	212	1193	1193	135	150	401	250.7	283.7
ZUG V 150A 11/4 AW (D)	545	212	1245	1245	135	150	4015	301.9	348.9
ZUG V 150A 15/4 AW (D)	545	212	1245	1245	135	150	415	315.6	362.6

(*) Weight for the DRY version includes cooling fluid

W: WET version (submerged operation - S1 duty type) / **D: DRY version** (dry operation - S1 duty type)

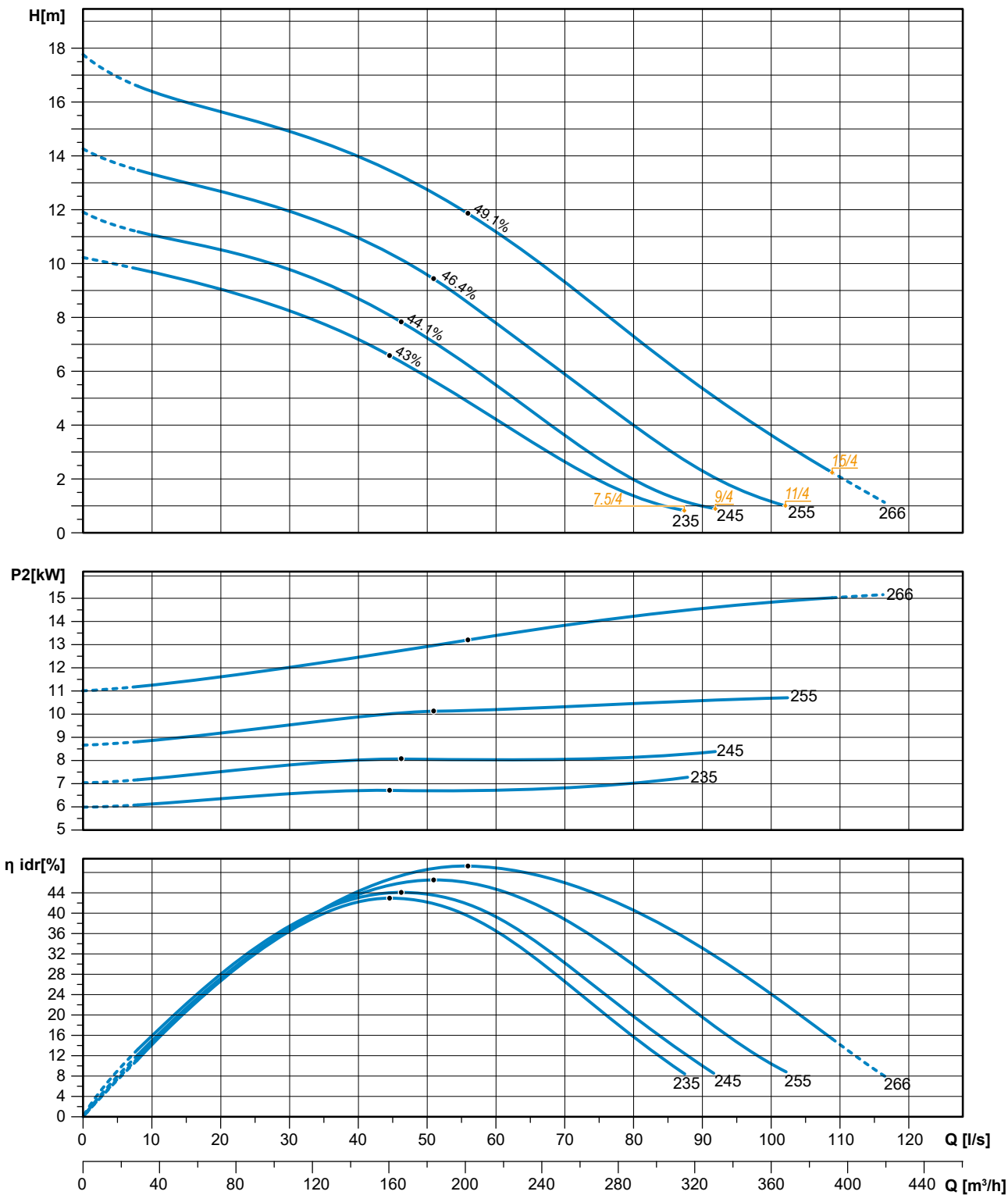
Available accessories



The data provided are not binding. Zenit reserves the right to modify any product without notice.

ZUG V 150A

Performances



Characteristic curves according to UNI EN ISO 9906:2012

ZUG V 150C

1.5 ÷ 1.8 kW - 6 poles

Hydraulics

Vortex impeller

Free passage: 150 mm

Discharge: DN150 - EN 1092-2

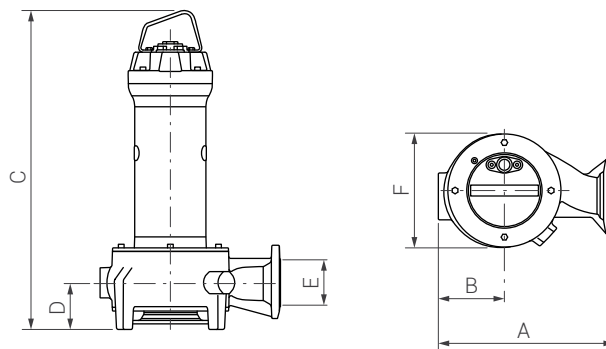
Suction: DN150



Motor (standard configuration)

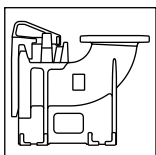
Type	V/~	Start	A	cos φ	P1 (kW)	P2 (kW)	η mot. %	Efficiency class
1.5/6 B	400/3	DOL	3.7	0.703	1.82	1.5	82.5	IE3
1.8/6 B	400/3	DOL	4.3	0.721	2.16	1.8	83.4	IE3

Overall dimensions and weight

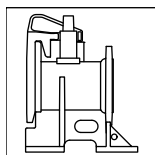


	A mm	B mm	C mm		D mm	E mm	F mm	Kg	
			WET	DRY				WET	DRY (+)
ZUG V 150C 1.5/6 BW	545	212	835	-	135	150	401	104	-
ZUG V 150C 1.8/6 BW	545	212	910	-	135	150	401	129	

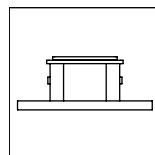
Available accessories



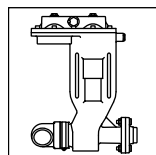
DAC V



DAC H



KBS

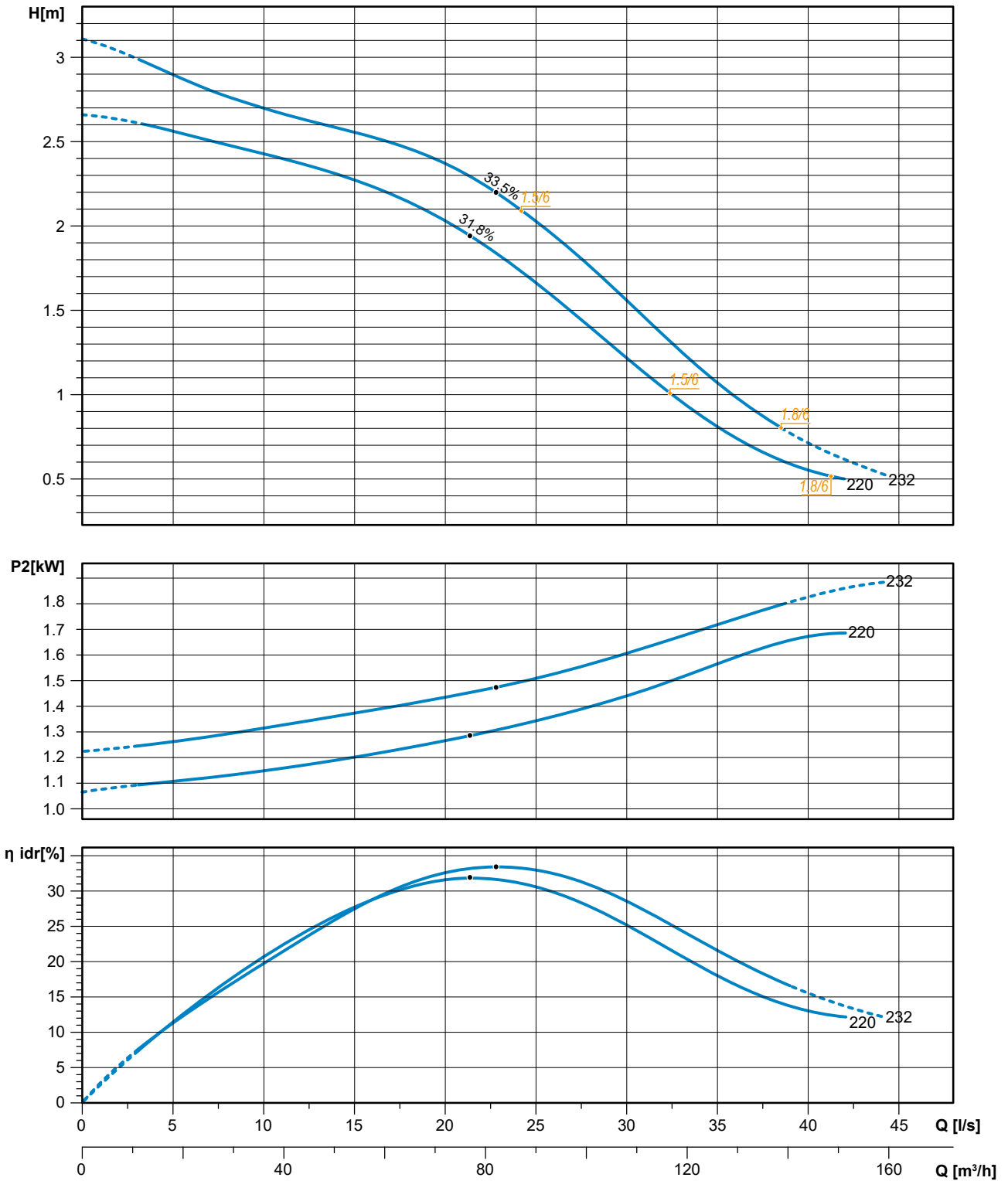


FLX

The data provided are not binding. Zenit reserves the right to modify any product without notice.

ZUG V 150C

Performances



Characteristic curves according to UNI EN ISO 9906:2012

ZUG OC 065A

1.8 ÷ 3 kW - 2 poles

Hydraulics

Open channel impeller

Free passage: 40 x 35 mm

Discharge: DN65 - EN 1092-2

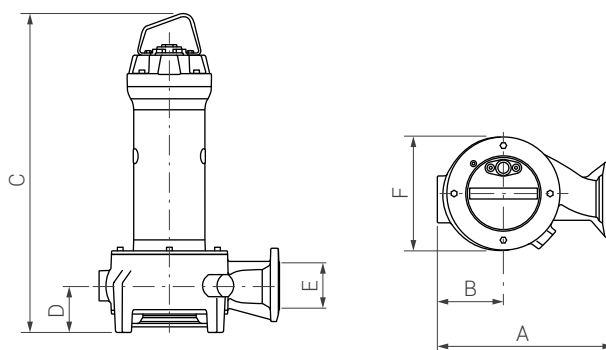
Suction: DN80



Motor (standard configuration)

Type	V/~	Start	A	cos φ	P1 (kW)	P2 (kW)	η mot. %	Efficiency class
1.8/2 B	400/3	DOL	3.8	0.80	2.1	1.8	85.3	IE3
2.2/2 B	400/3	DOL	4.4	0.84	2.6	2.2	85.9	IE3
3/2 B	400/3	DOL	6.0	0.83	3.4	3.0	87.1	IE3

Overall dimensions and weight

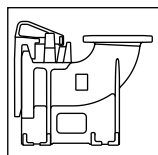


	A mm	B mm	C mm		D mm	E mm	F mm	Kg	
			WET	DRY				WET	DRY (+)
ZUG OC 065A 1.8/2 BW (D)	343	125	615	615	80	65	255	58.8	58.8
ZUG OC 065A 2.2/2 BW	343	125	615	-	80	65	255	59.0	-
ZUG OC 065A 3/2 BW	343	125	615	-	80	65	255	60.3	-

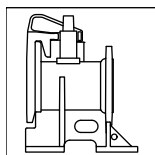
(*) Weight for the DRY version includes cooling fluid

W: WET version (submerged operation - S1 duty type) / **D: DRY version** (dry operation - S1 duty type)

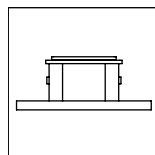
Available accessories



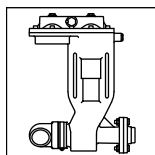
DAC V



DAC H



KBS

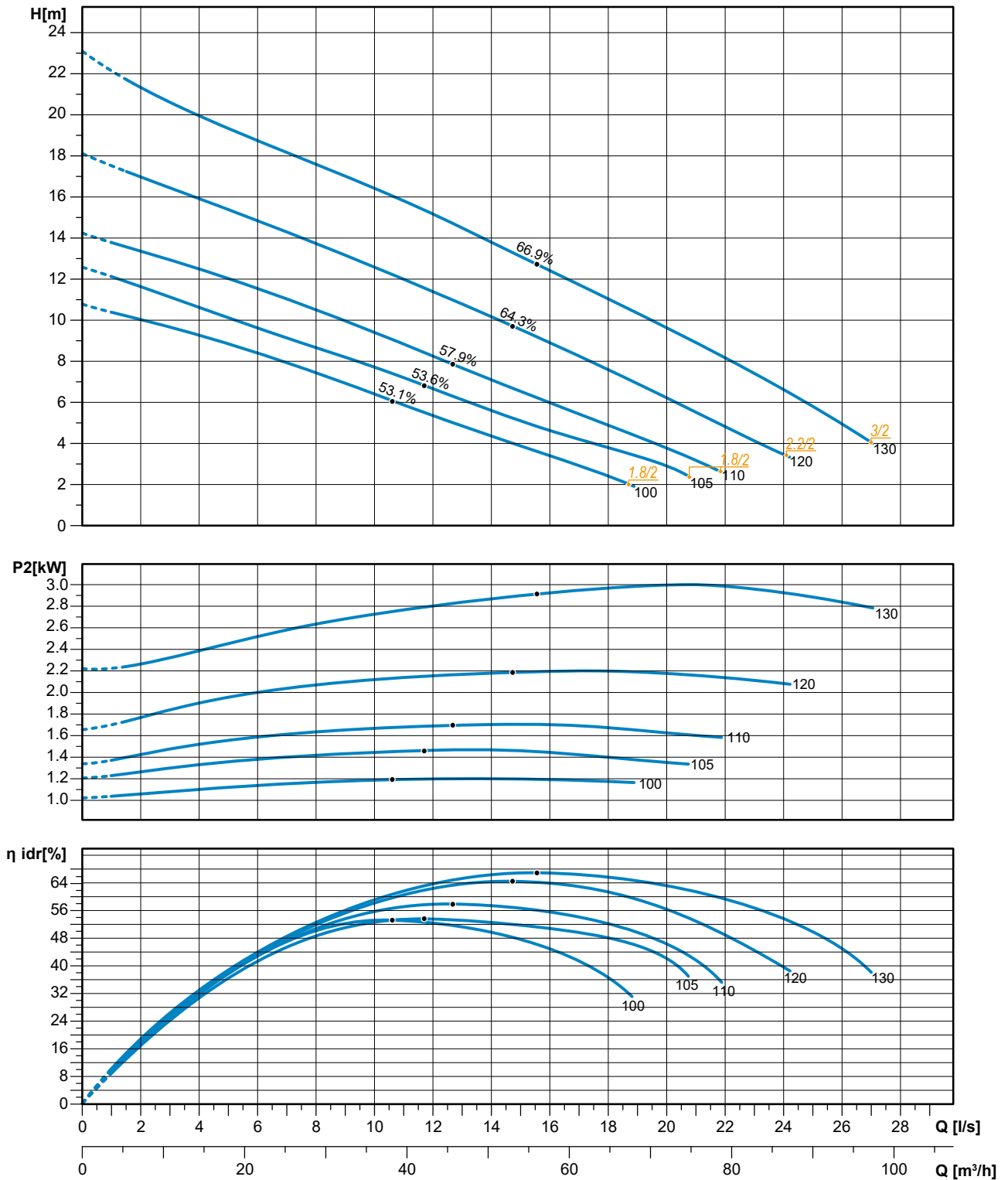


FLX

The data provided are not binding. Zenit reserves the right to modify any product without notice.

ZUG OC 065A

Performances



Characteristic curves according to UNI EN ISO 9906:2012

ZUG OC 065B

1.8 ÷ 2.2 kW - 2 poles

Hydraulics

Open channel impeller

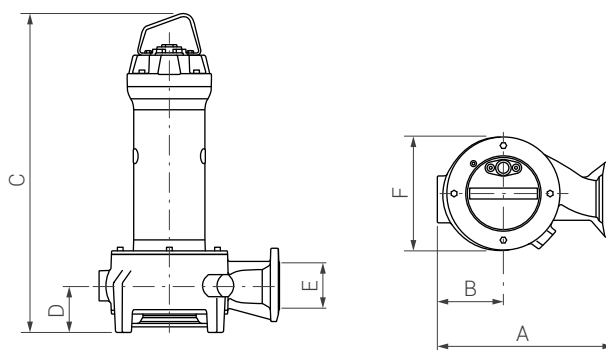
Free passage: 35x30 mm
 Discharge: DN65 - EN 1092-2
 Suction: DN80



Motor (standard configuration)

Type	V/~	Start	A	cos φ	P1 (kW)	P2 (kW)	η mot. %	Efficiency class
1.8/2 B	400/3	DOL	3.8	0.80	2.1	1.8	85.3	IE3
2.2/2 B	400/3	DOL	4.4	0.84	2.6	2.2	85.9	IE3

Overall dimensions and weight

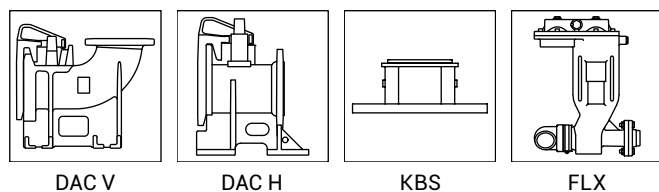


	A mm	B mm	C mm		D mm	E mm	F mm	Kg	
			WET	DRY				WET	DRY (+)
ZUG OC 065B 1.8/2 BW (D)	343	136	615	615	80	65	255	50.8	50.8
ZUG OC 065B 2.2/2 BW	343	136	615	-	80	65	255	51.0	-

(*) Weight for the DRY version includes cooling fluid

W: WET version (submerged operation - S1 duty type) / **D: DRY version** (dry operation - S1 duty type)

Available accessories



DAC V

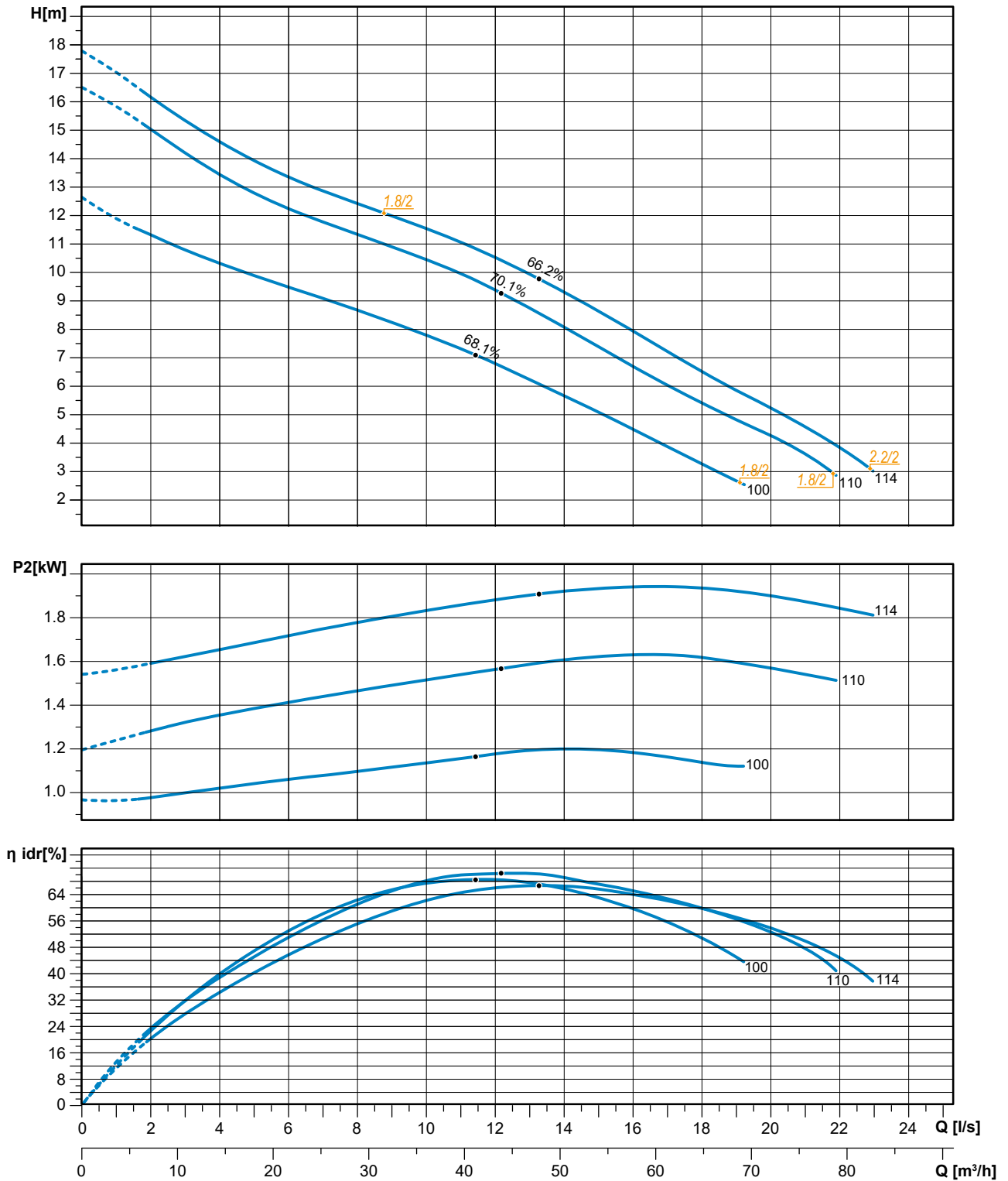
DAC H

KBS

FLX

ZUG OC 065B

Performances



Characteristic curves according to UNI EN ISO 9906:2012

ZUG OC 065C

3 ÷ 9 kW - 2 poles

Hydraulics

Open channel impeller

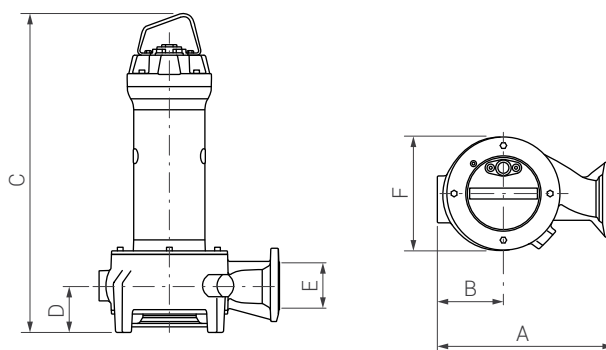
Free passage: 40x35 mm
 Discharge: DN65 - EN 1092-2
 Suction: DN80



Motor (standard configuration)

Type	V/~	Start	A	cos φ	P1 (kW)	P2 (kW)	η mot. %	Efficiency class
3/2 B	400/3	DOL	6.0	0.83	3.44	3.0	87.1	IE3
4/2 B	400/3	DOL	8.3	0.79	4.54	4.0	88.1	IE3
5.5/2 B	400/3	DOL	10.2	0.87	6.17	5.5	89.2	IE3
7.5/2 B	400/3	DOL	14.1	0.85	8.32	7.5	90.1	IE3
9/2 B	400/3	DOL	16.6	0.87	9.92	9.0	90.7	IE3

Overall dimensions and weight

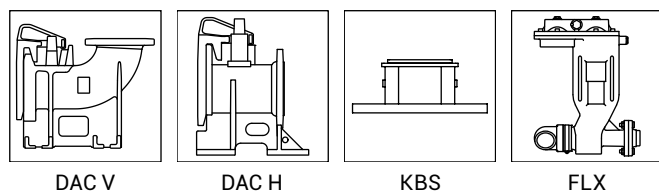


	A mm	B mm	C mm		D mm	E mm	F mm	Kg	
			WET	DRY				WET	DRY (+)
ZUG OC 065C 3/2 BW	343	136	643	-	88	65	253	53.3	-
ZUG OC 065C 4/2 BW	343	136	698	-	88	65	253	65.7	-
ZUG OC 065C 5.5/2 BW	343	136	773	-	88	65	253	74.7	-
ZUG OC 065C 7.5/2 BW	343	136	841	-	88	65	253	99	-
ZUG OC 065C 9/2 BW	343	136	841	-	88	65	253	102	-

(+) Weight for the DRY version includes cooling fluid

W: WET version (submerged operation - S1 duty type) / **D: DRY version** (dry operation - S1 duty type)

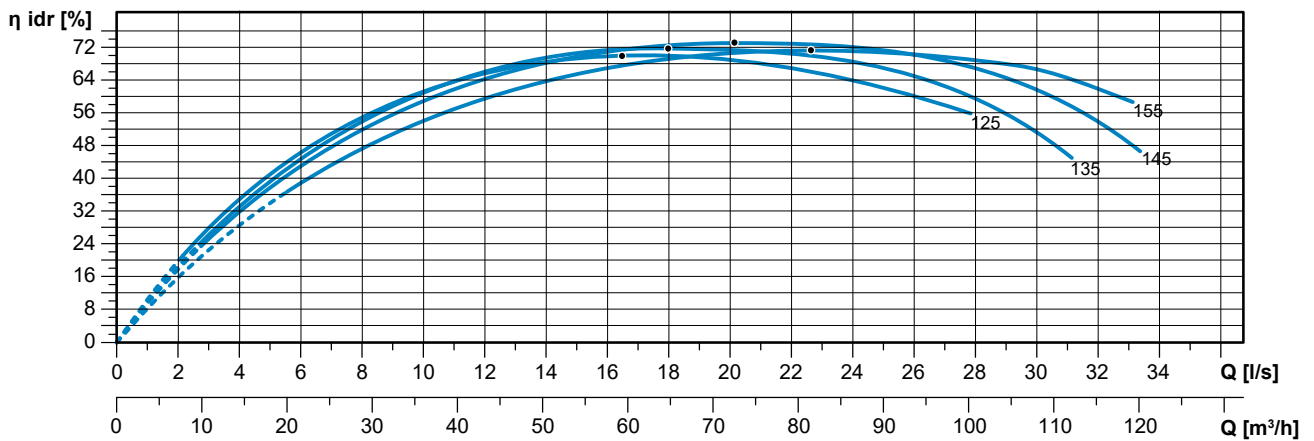
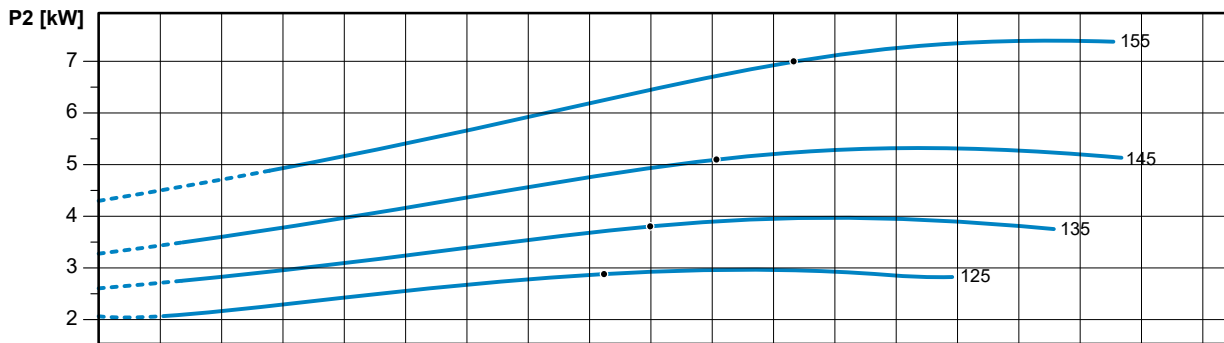
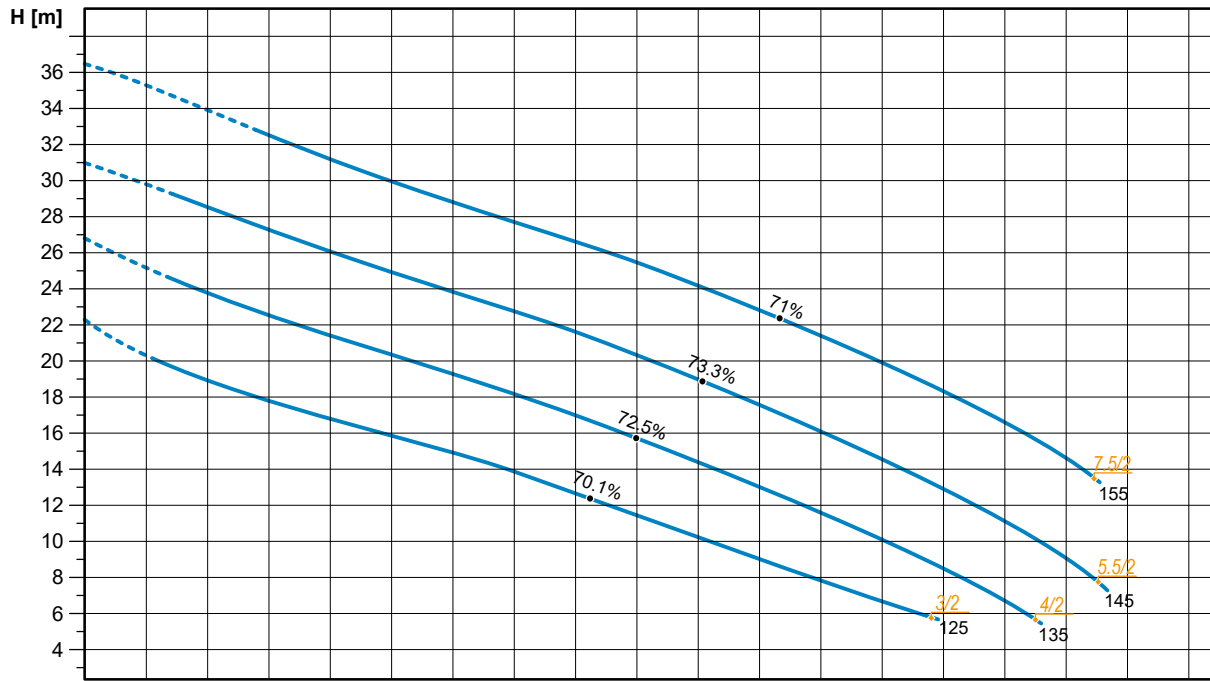
Available accessories



The data provided are not binding. Zenit reserves the right to modify any product without notice.

ZUG OC 065C

Performances



Characteristic curves according to UNI EN ISO 9906:2012

ZUG OC 080A - 2p

4 ÷ 11 kW - 2 poles

Hydraulics

Open channel impeller

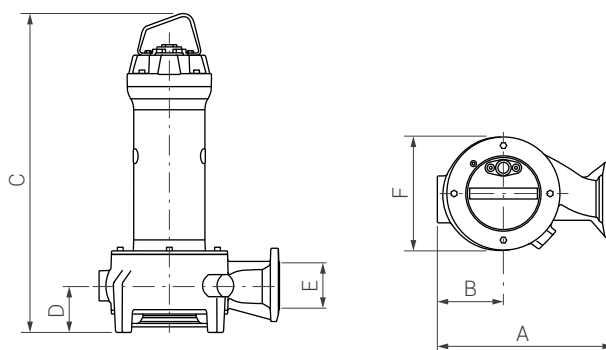
Free passage: 40 mm
 Discharge: DN80 - EN 1092-2
 Suction: DN80



Motor (standard configuration)

Type	V/~	Start	A	cos φ	P1 (kW)	P2 (kW)	η mot. %	Efficiency class
4/2 B	400/3	DOL	8.3	0.79	4.5	4.0	88.1	IE3
5.5/2 B	400/3	DOL	10.2	0.87	6.2	5.5	89.2	IE3
7.5/2 B	400/3	DOL	14.1	0.85	8.3	7.5	90.1	IE3
9/2 B	400/3	DOL	16.6	0.87	9.9	9.0	90.7	IE3
11/2 B	400/3	DOL	20.0	0.87	11.0	12.0	91.7	IE3

Overall dimensions and weight

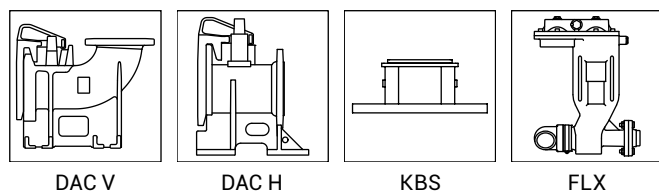


	A mm	B mm	C mm		D mm	E mm	F mm	Kg	
			WET	DRY				WET	DRY (+)
ZUG OC 080A 4/2 BW	327	142	707	-	91	80	271	70.7	-
ZUG OC 080A 5.5/2 BW	327	142	785	-	91	80	271	79.7	-
ZUG OC 080A 7.5/2 BW	327	142	850	-	91	80	271	104	-
ZUG OC 080A 9/2 BW	327	142	850	-	91	80	271	107	-
ZUG OC 080A 11/2 BW	327	142	850	-	91	80	271	110	-

(+) Weight for the DRY version includes cooling fluid

W: WET version (submerged operation - S1 duty type) / **D: DRY version** (dry operation - S1 duty type)

Available accessories



DAC V

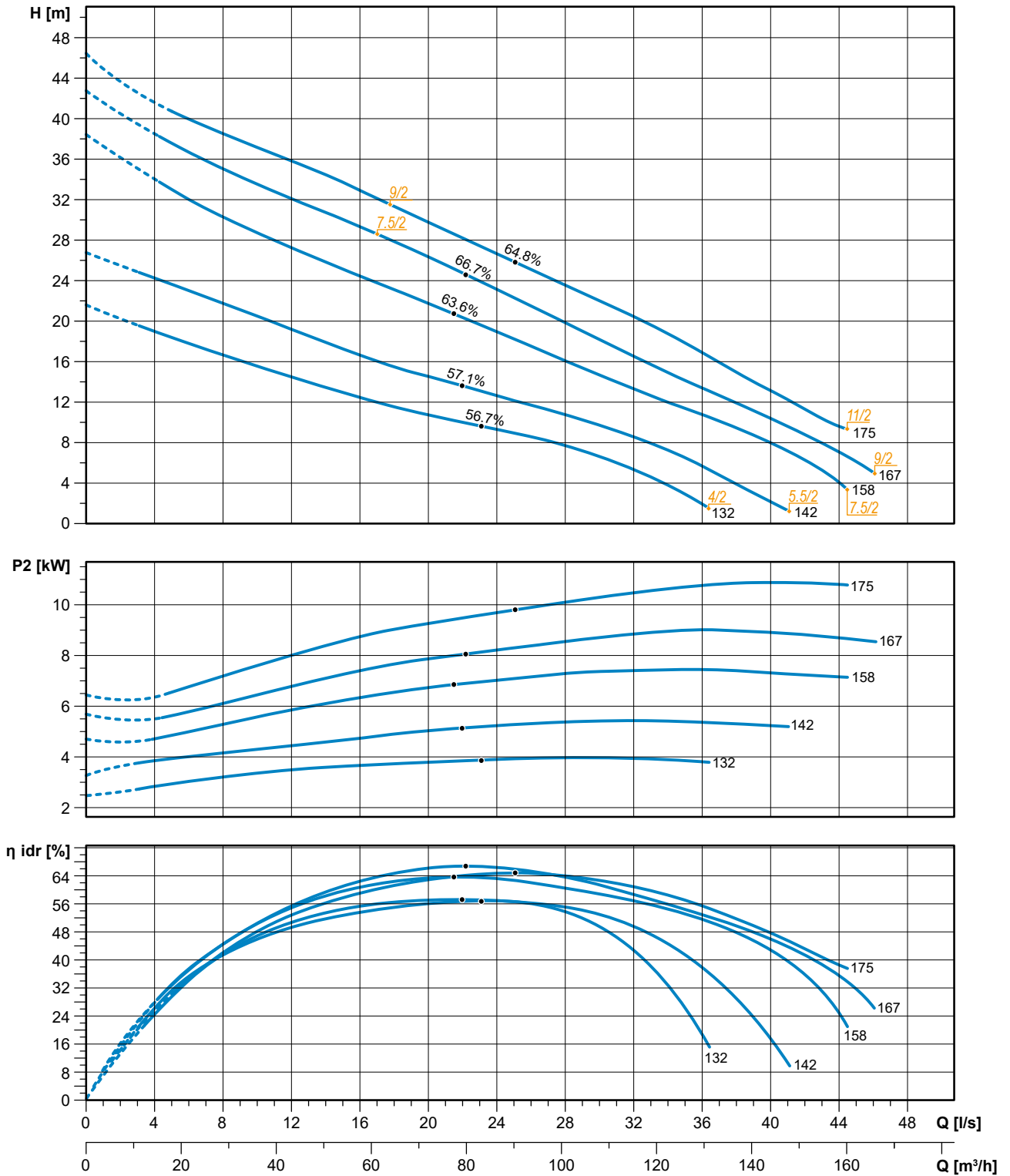
DAC H

KBS

FLX

ZUG OC 080A - 2p

Performances



Characteristic curves according to UNI EN ISO 9906:2012

ZUG OC 080A - 4p

1.1 ÷ 1.5 kW - 4 poles

Hydraulics

Open channel impeller

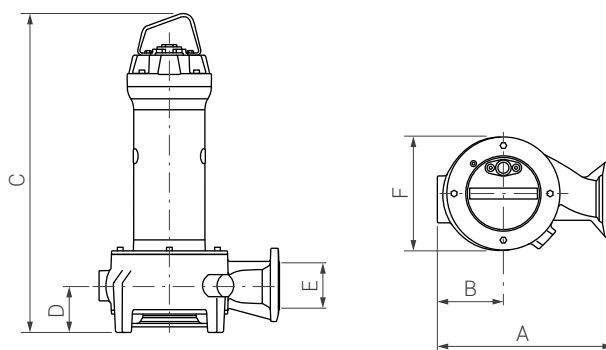
Free passage: 40 mm
 Discharge: DN80 - EN 1092-2
 Suction: DN80



Motor (standard configuration)

Type	V/~	Start	A	cos φ	P1 (kW)	P2 (kW)	η mot. %	Efficiency class
1.1/4 B	400/3	DOL	2.7	0.71	1.31	1.1	84.1	IE3
1.5/4 B	400/3	DOL	3.6	0.70	1.76	1.5	85.3	IE3

Overall dimensions and weight

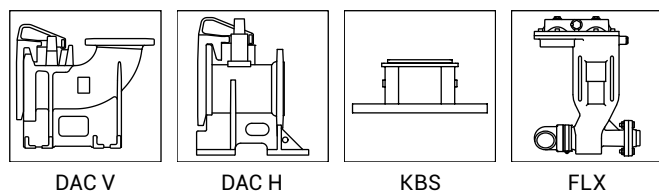


	A mm	B mm	C mm		D mm	E mm	F mm	Kg	
			WET	DRY				WET	DRY (+)
ZUG OC 080A 1.1/4 BW	322	137	652	-	91	80	272	45	-
ZUG OC 080A 1.5/4 BW	322	137	652	-	91	80	272	46	-

(+) Weight for the DRY version includes cooling fluid

W: WET version (submerged operation - S1 duty type) / **D: DRY version** (dry operation - S1 duty type)

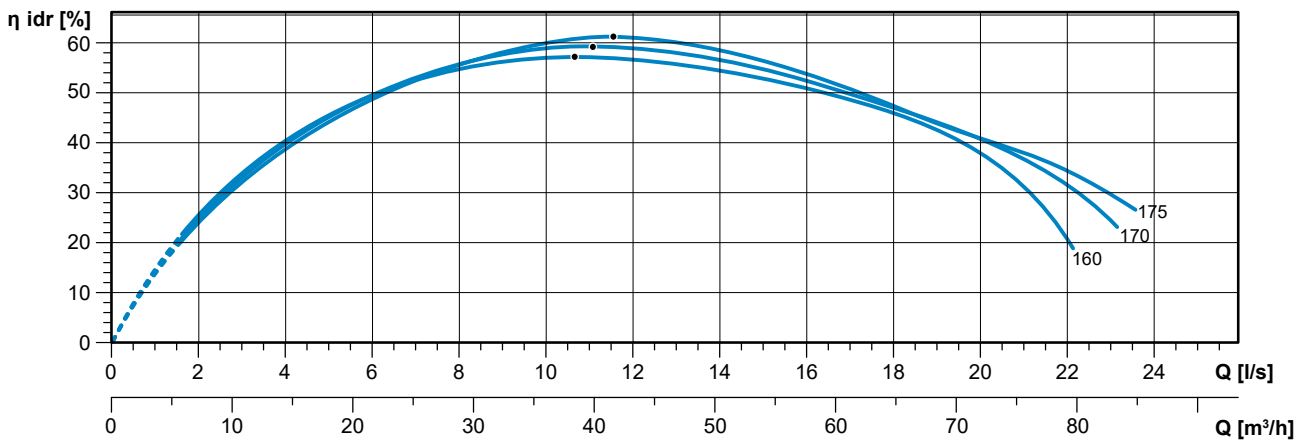
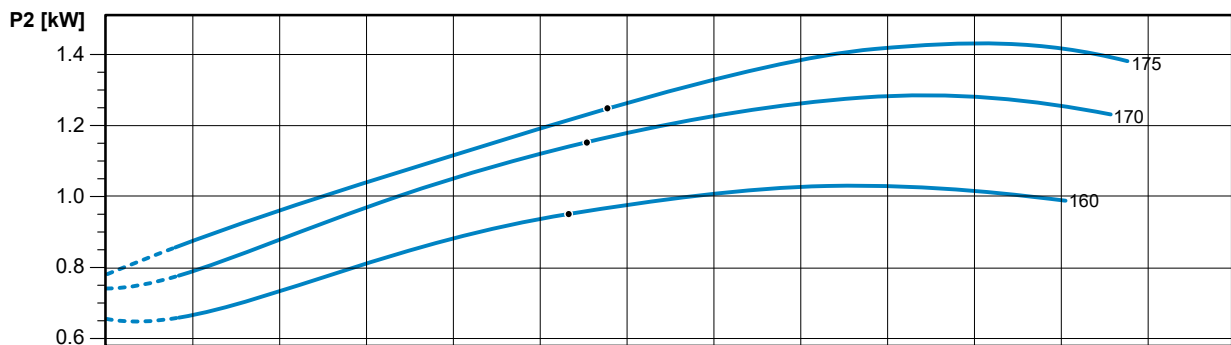
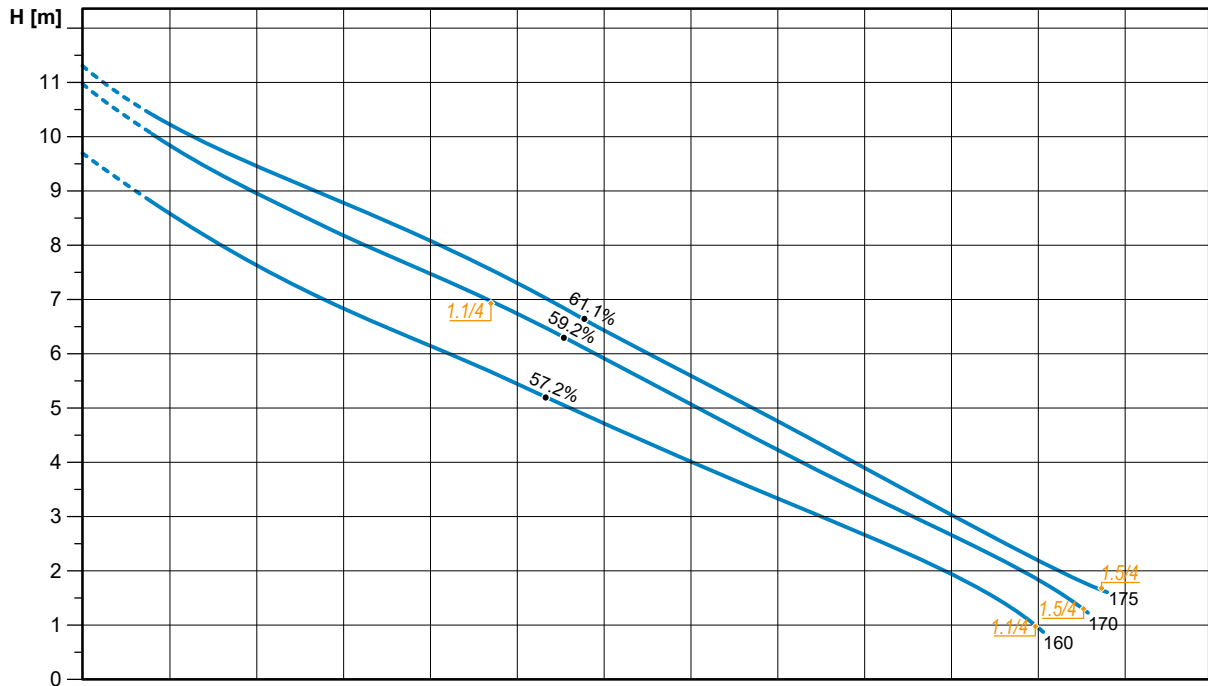
Available accessories



The data provided are not binding. Zenit reserves the right to modify any product without notice.

ZUG OC 080A - 4p

Performances



Characteristic curves according to UNI EN ISO 9906:2012

ZUG OC 080B

4 ÷ 11 kW - 2 poles

Hydraulics

Open channel impeller

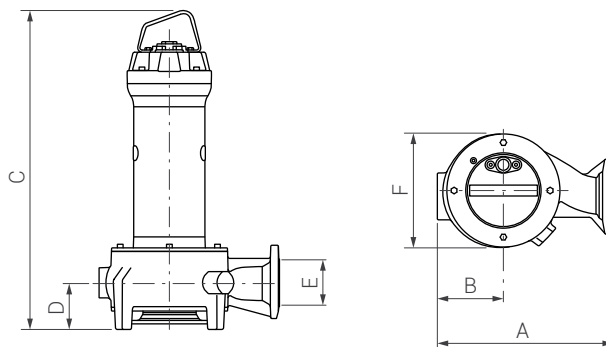
Free passage: 55 x 50 mm
 Discharge: DN80 - EN 1092-2
 Suction: DN80



Motor (standard configuration)

Type	V/~	Start	A	cos φ	P1 (kW)	P2 (kW)	η mot. %	Efficiency class
4/2 B	400/3	DOL	8.3	0.79	4.5	4.0	88.1	IE3
5.5/2 B	400/3	DOL	10.2	0.87	6.2	5.5	89.2	IE3
7.5/2 B	400/3	DOL	14.1	0.85	8.3	7.5	90.1	IE3
9/2 B	400/3	DOL	16.6	0.87	9.9	9.0	90.7	IE3
11/2 B	400/3	DOL	20.0	0.87	11.0	12.0	91.7	IE3

Overall dimensions and weight

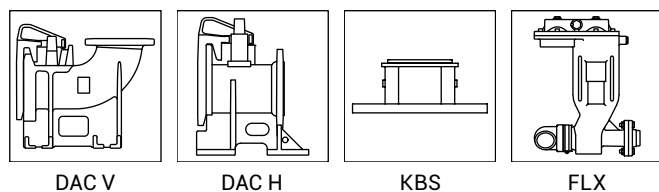


	A mm	B mm	C mm		D mm	E mm	F mm	Kg	
			WET	DRY				WET	DRY (*)
ZUG OC 080B 4/2 BW	327	142	707	-	91	80	271	70.7	-
ZUG OC 080B 5.5/2 BW	327	142	785	-	91	80	271	79.7	-
ZUG OC 080B 7.5/2 BW	327	142	850	-	91	80	271	104	-
ZUG OC 080B 9/2 BW	327	142	850	-	91	80	271	107	-
ZUG OC 080B 11/2 BW	327	142	850	-	91	80	271	110	-

(*) Weight for the DRY version includes cooling fluid

W: WET version (submerged operation - S1 duty type) / **D: DRY version** (dry operation - S1 duty type)

Available accessories



DAC V

DAC H

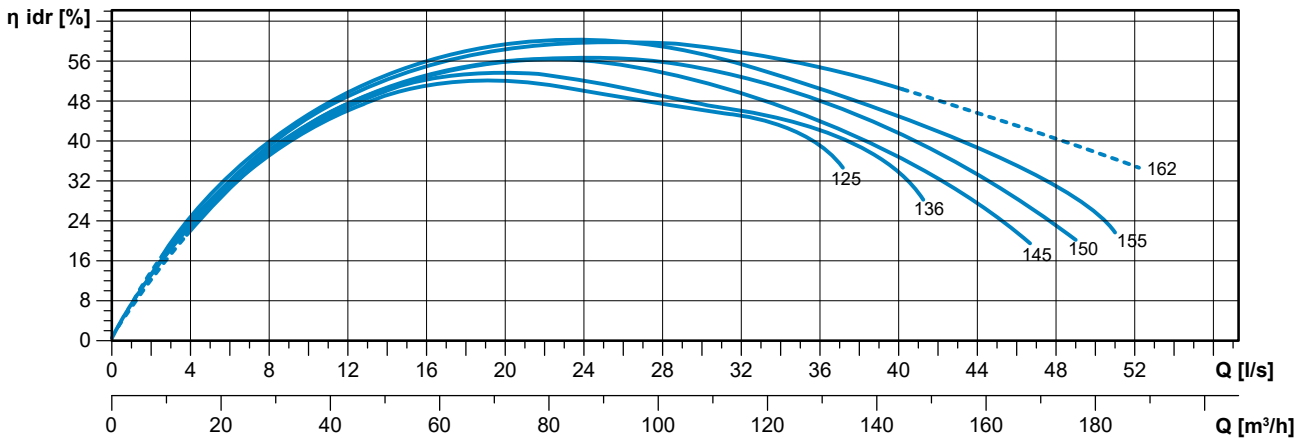
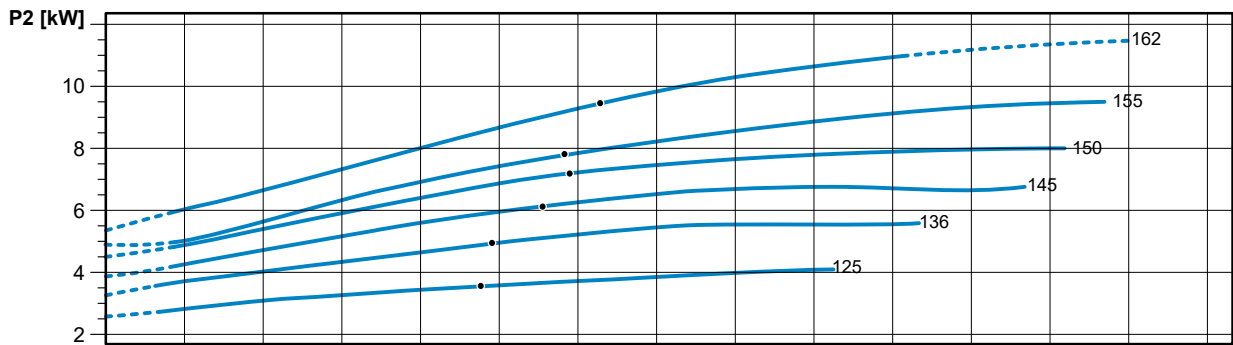
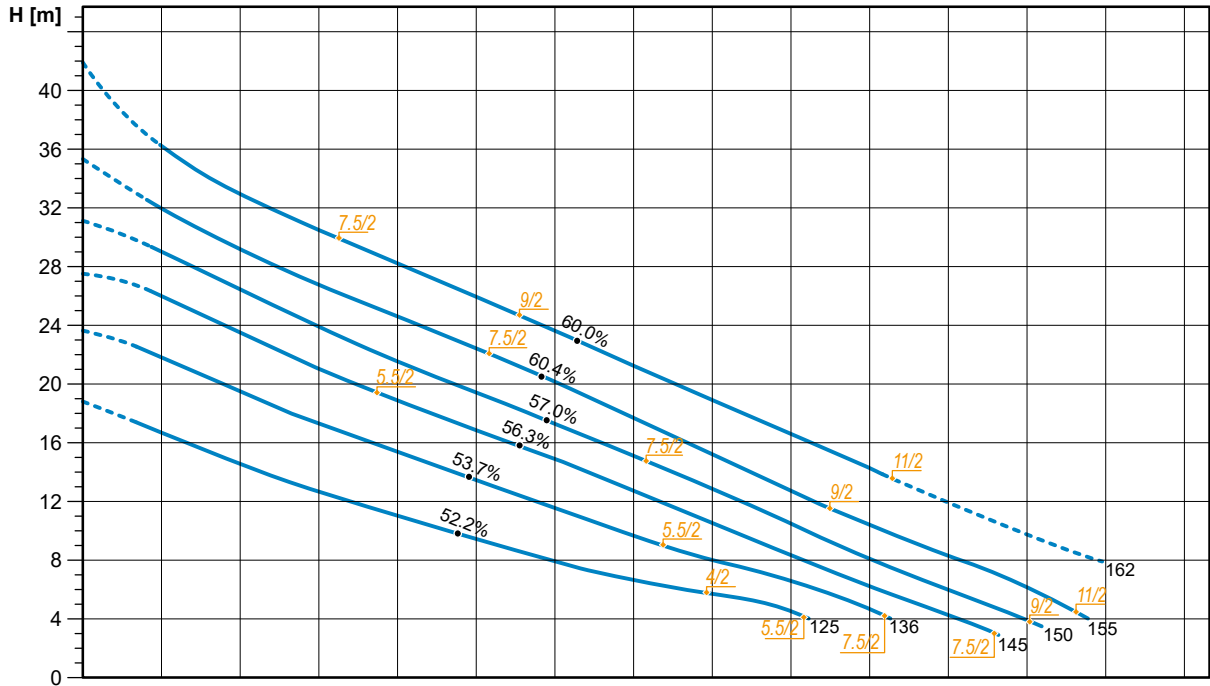
KBS

FLX

The data provided are not binding. Zenit reserves the right to modify any product without notice.

ZUG OC 080B

Performances



Characteristic curves according to UNI EN ISO 9906:2012

ZUG OC 080D

4 ÷ 11 kW - 4 poles

Hydraulics

Open channel impeller

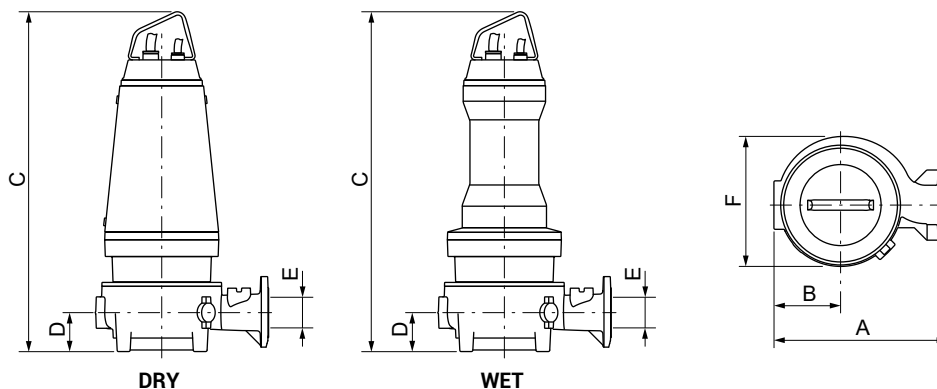
Free passage: 65 x 60 mm
 Discharge: DN80 - EN 1092-2
 Suction: DN150



Motor (standard configuration)

Type	V/~	Start	A	cos φ	P1 (kW)	P2 (kW)	η mot. %	Efficiency class
4/4 A	400/3	DOL	8.4	0.77	4.5	4.0	88.7	IE3
5.5/4 A	400/3	DOL	11.7	0.76	6.1	5.5	89.6	IE3
7.5/4 A	400-700/3	Y Δ	14.5	0.83	8.3	7.5	90.4	IE3
9/4 A	400-700/3	Y Δ	18.3	0.78	9.9	9.0	90.8	IE3
11/4 A	400-700/3	Y Δ	21.3	0.81	12.0	11.0	91.4	IE3

Overall dimensions and weight

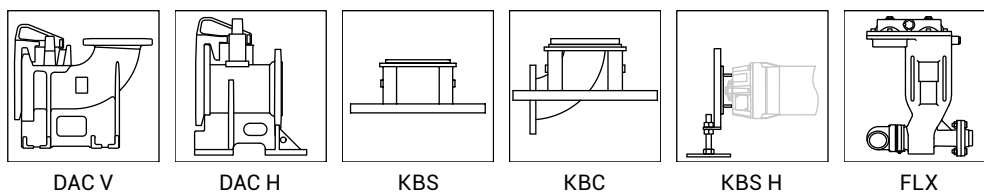


	A mm	B mm	C mm		D mm	E mm	F mm	Kg	
			WET	DRY				WET	DRY (+)
ZUG OC 080D 4/4 AW (D)	481	188	950	1025	124	80	375	174	259
ZUG OC 080D 5.5/4 AW (D)	481	188	950	1025	124	80	375	177	261.3
ZUG OC 080D 7.5/4 AW (D)	481	188	1025	1025	124	80	375	226.3	263
ZUG OC 080D 9/4 AW (D)	481	188	1115	1115	124	80	375	247.3	280.3
ZUG OC 080D 11/4 AW (D)	494	201	1165	1165	124	80	403	298.5	345.5

(+) Weight for the DRY version includes cooling fluid

W: WET version (submerged operation - S1 duty type) / **D: DRY version** (dry operation - S1 duty type)

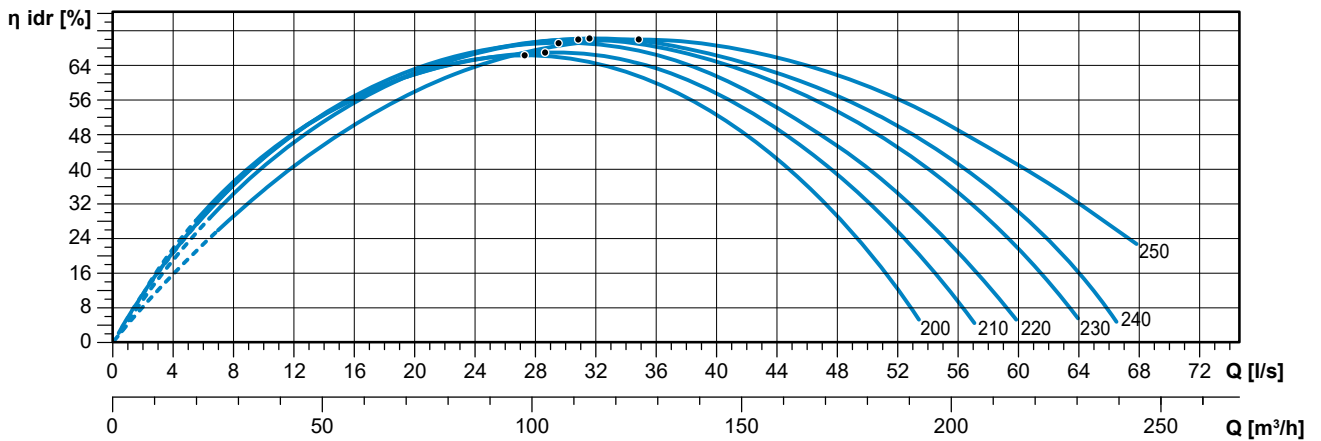
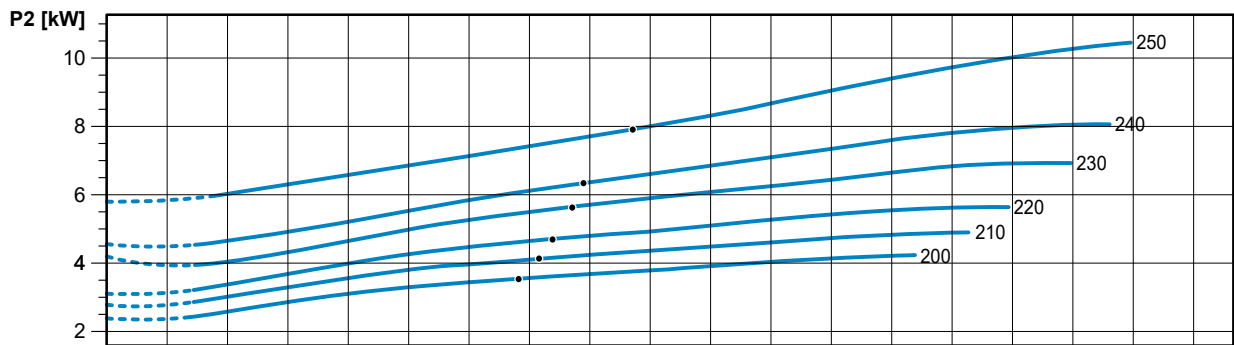
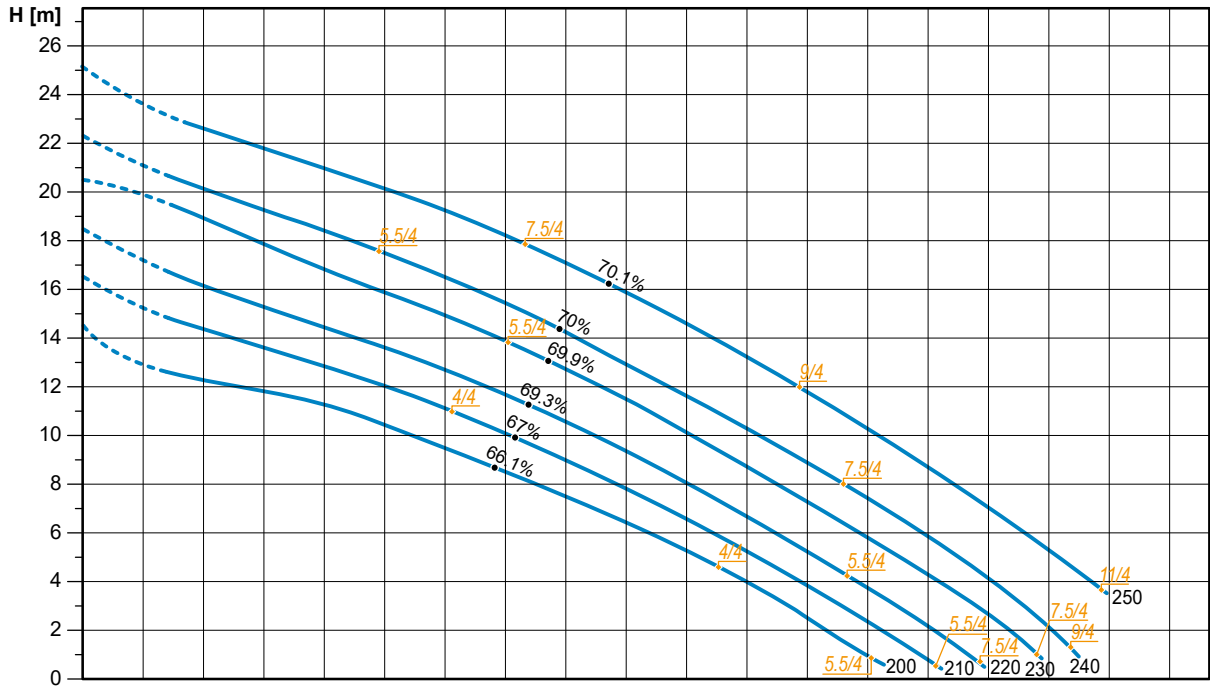
Available accessories



The data provided are not binding. Zenit reserves the right to modify any product without notice.

ZUG OC 080D

Performances



Characteristic curves according to UNI EN ISO 9906:2012

ZUG OC 080E

1.8 ÷ 3 kW - 2 poles

Hydraulics

Open channel impeller

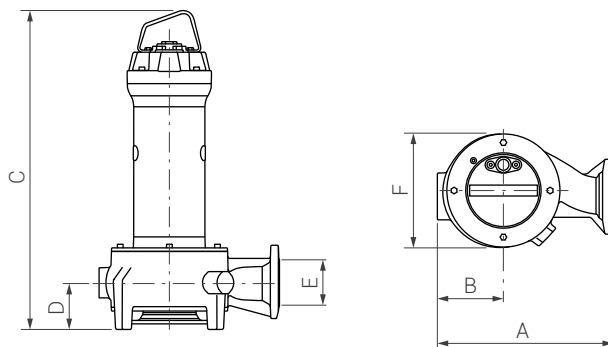
Free passage: 40 x 35 mm
 Discharge: DN80 - EN 1092-2
 Suction: DN80



Motor (standard configuration)

Type	V/~	Start	A	cos φ	P1 (kW)	P2 (kW)	η mot. %	Efficiency class
1.8/2 B	400/3	DOL	3.8	0.8	2.1	1.8	85.3	IE3
2.2/2 B	400/3	DOL	4.4	0.84	2.6	2.2	85.9	IE3
3/2 B	400/3	DOL	6.0	0.83	3.4	3.0	87.1	IE3

Overall dimensions and weight

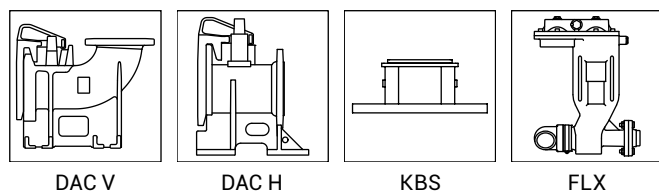


	A mm	B mm	C mm		D mm	E mm	F mm	Kg	
			WET	DRY				WET	DRY (+)
ZUG OC 080E 1.8/2 BW (D)	345	135	614	614	80	80	252	47.8	47.8
ZUG OC 080E 2.2/2 BW	345	135	614	-	80	80	252	48	-
ZUG OC 080E 3/2 BW	345	135	614	-	80	80	252	49.3	-

(*) Weight for the DRY version includes cooling fluid

W: WET version (submerged operation - S1 duty type) / **D: DRY version** (dry operation - S1 duty type)

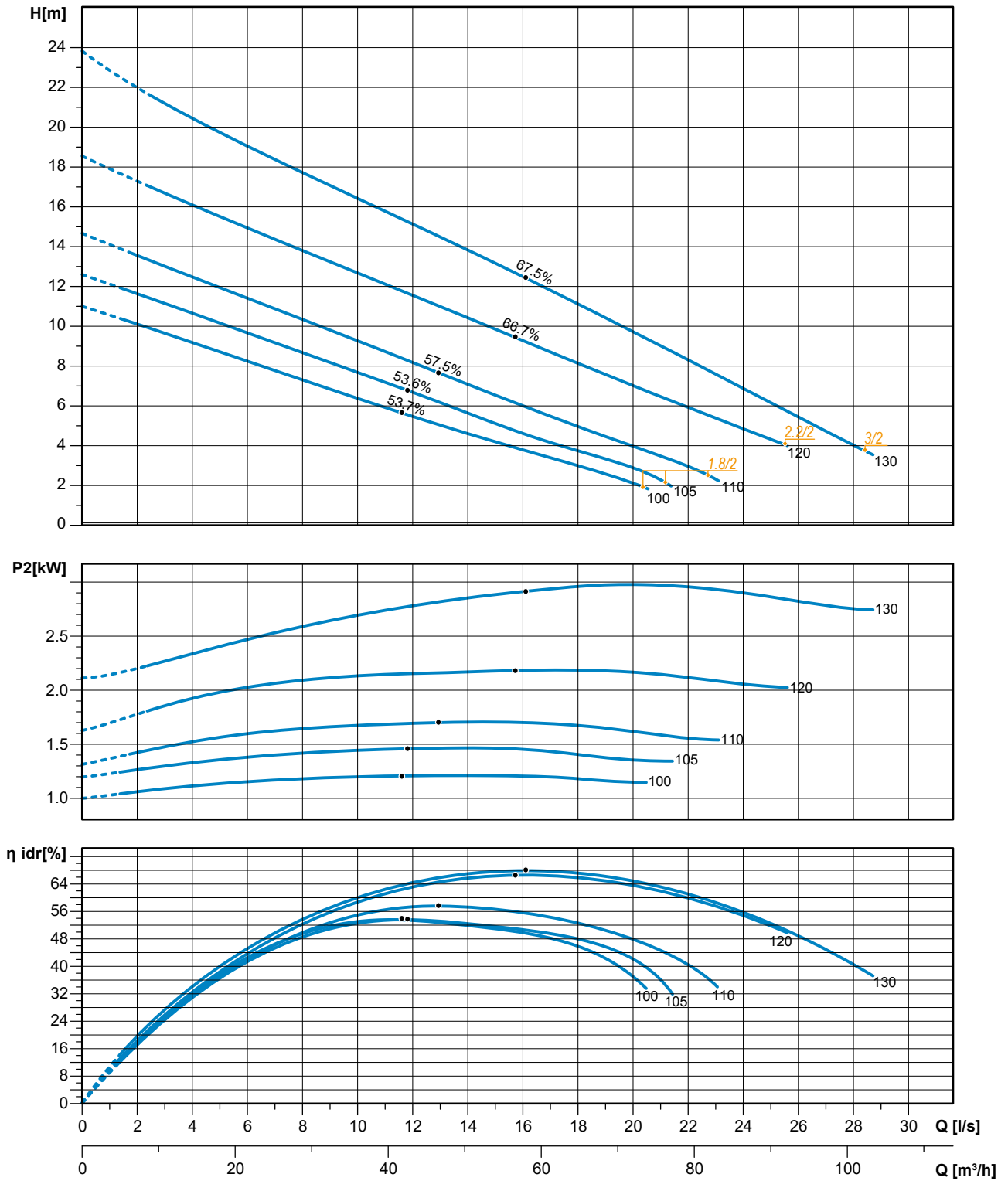
Available accessories



The data provided are not binding. Zenit reserves the right to modify any product without notice.

ZUG OC 080E

Performances



Characteristic curves according to UNI EN ISO 9906:2012

ZUG OC 080G - 2p

15 ÷ 18.5 kW - 2 poles

Hydraulics

Open channel impeller

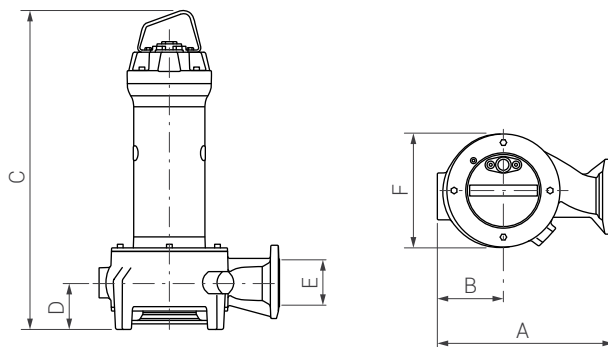
Free passage: 75 mm
 Discharge: DN80 - EN 1092-2
 Suction: DN80



Motor (standard configuration)

Type	V/~	Start	A	cos φ	P1 (kW)	P2 (kW)	η mot. %	Efficiency class
15/2 B	400/3	DOL	26.7	0.88	16.3	15.0	91.9	IE3
18.5/2 B	400/3	DOL	33.1	0.87	20.0	18.5	92.3	IE3

Overall dimensions and weight

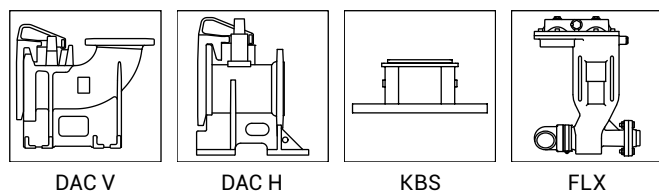


	A mm	B mm	C mm		D mm	E mm	F mm	Kg	
			WET	DRY				WET	DRY (*)
ZUG OC 080G 15/2 BW	393	151	1033	-	88	80	293	209	-
ZUG OC 080G 18.5/2 BW	393	151	1067	-	88	80	293	218.5	-

(*) Weight for the DRY version includes cooling fluid

W: WET version (submerged operation - S1 duty type) / **D: DRY version** (dry operation - S1 duty type)

Available accessories



DAC V

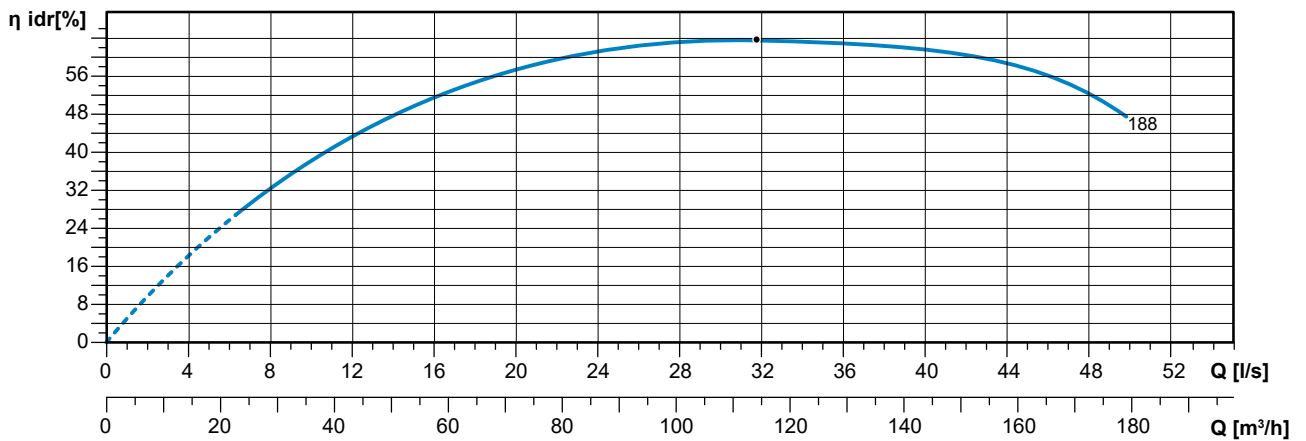
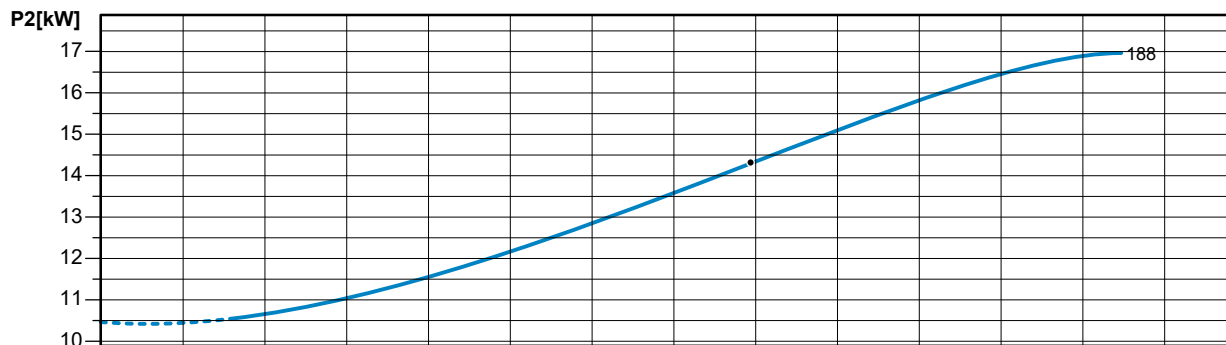
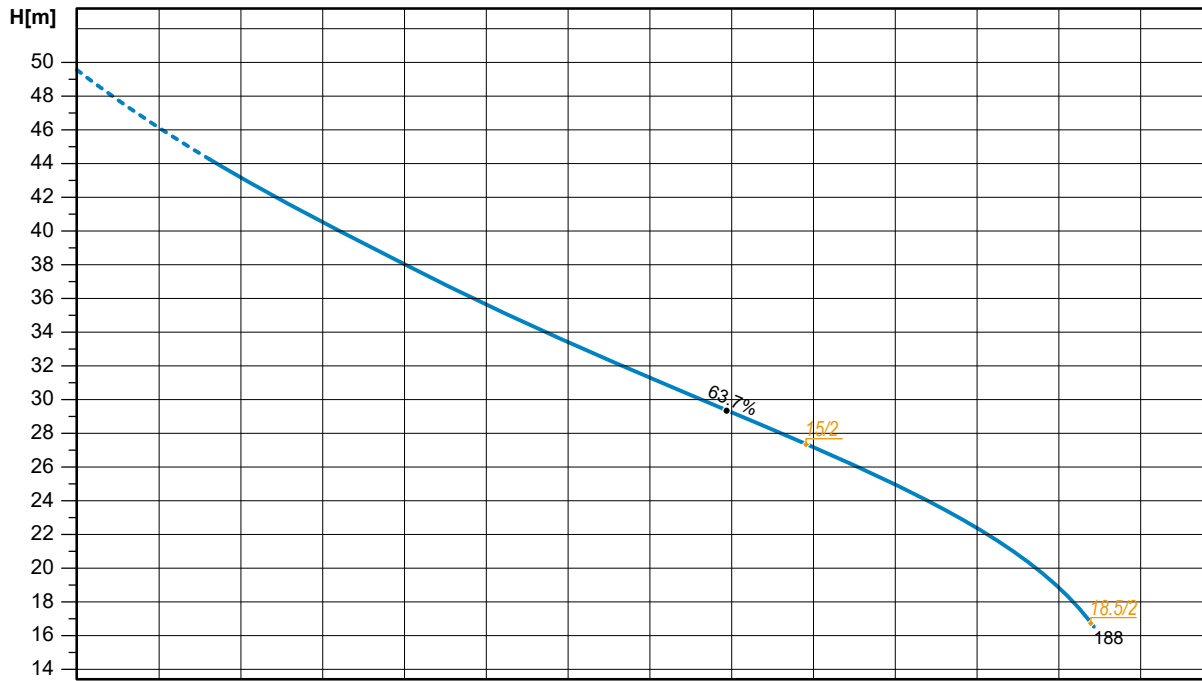
DAC H

KBS

FLX

ZUG OC 080G - 2p

Performances



Characteristic curves according to UNI EN ISO 9906:2012

ZUG OC 080G - 4p

3 kW - 4 poles

Hydraulics

Open channel impeller

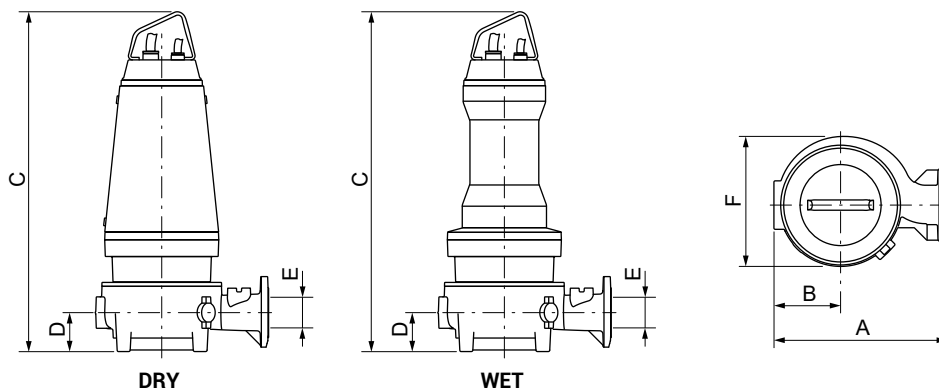
Free passage: 75 mm
 Discharge: DN80 - EN 1092-2
 Suction: DN80



Motor (standard configuration)

Type	V/~	Start	A	cos φ	P1 (kW)	P2 (kW)	η mot. %	Efficiency class
3/4 A	400/3	DOL	6.6	0.75	3.4	3.0	87.7	IE3

Overall dimensions and weight

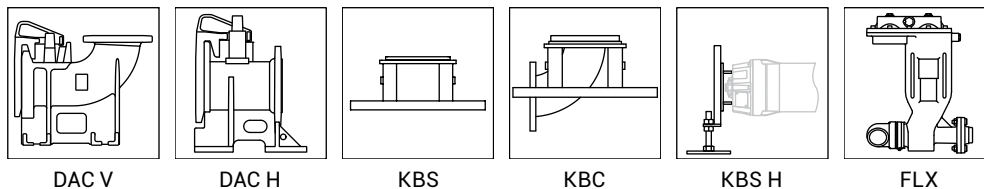


	A	B	C mm		D	E	F	Kg	
	mm	mm	WET	DRY	mm	mm	mm	WET	DRY (*)
ZUG OC 080G 3/4 AW	393	151	801	-	88	80	303	125	-

(*) Weight for the DRY version includes cooling fluid

W: WET version (submerged operation - S1 duty type) / **D: DRY version** (dry operation - S1 duty type)

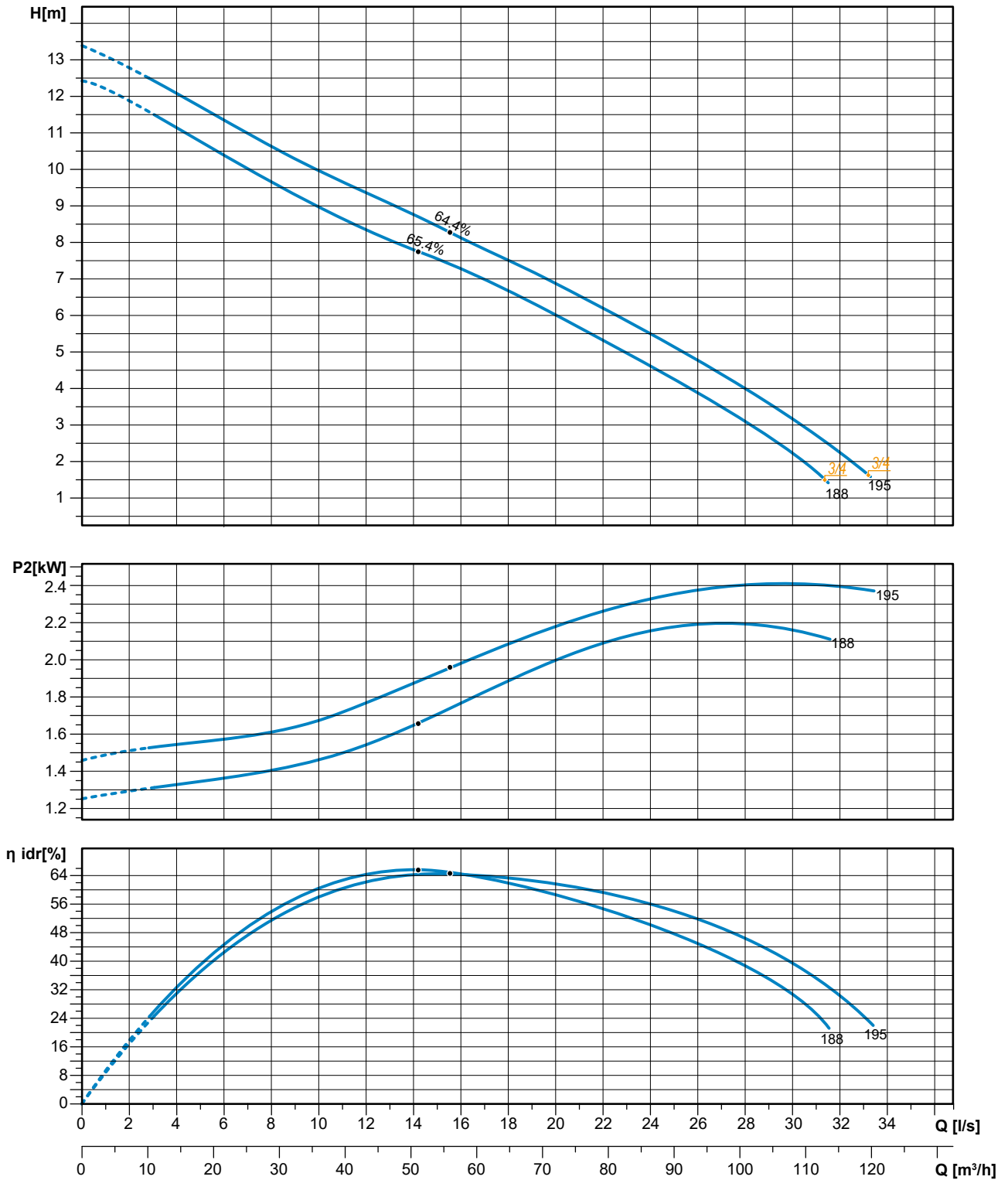
Available accessories



The data provided are not binding. Zenit reserves the right to modify any product without notice.

ZUG OC 080G - 4p

Performances



Characteristic curves according to UNI EN ISO 9906:2012

ZUG OC 080H - 4p

3 ÷ 4 kW - 4 poles

Hydraulics

Open channel impeller

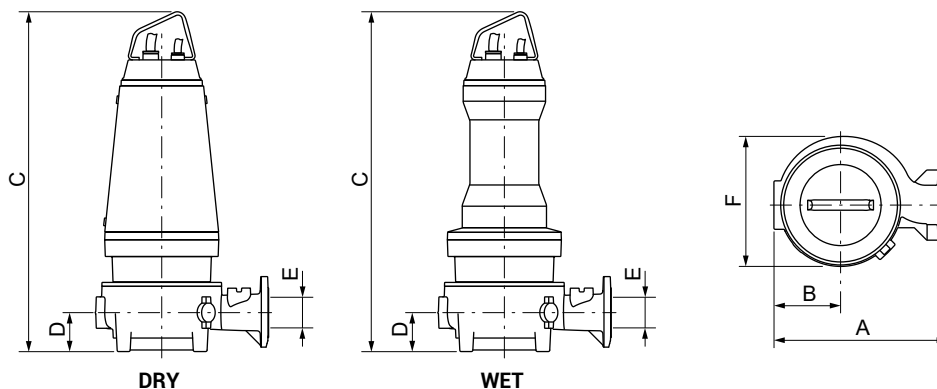
Free passage: 75 mm
 Discharge: DN80 - EN 1092-2
 Suction: DN100



Motor (standard configuration)

Type	V/~	Start	A	cos φ	P1 (kW)	P2 (kW)	η mot. %	Efficiency class
3/4 A	400/3	DOL	6.6	0.75	3.4	3.0	87.7	IE3
4/4 A	400/3	DOL	8.4	0.77	4.5	4.0	88.7	IE3

Overall dimensions and weight

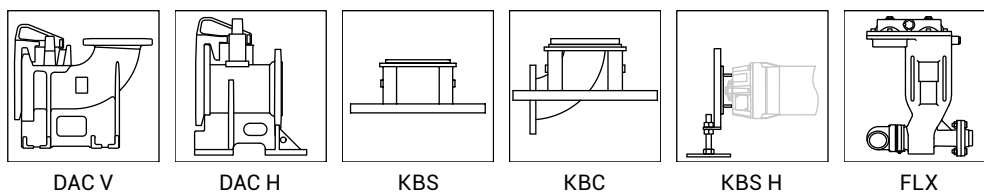


	A mm	B mm	C mm		D mm	E mm	F mm	Kg	
			WET	DRY				WET	DRY (*)
ZUG OC 080H 3/4 AW	393	151	801	-	88	80	303	125	-
ZUG OC 080H 4/4 AW	393	151	901	-	88	80	303	143	-

(*) Weight for the DRY version includes cooling fluid

W: WET version (submerged operation - S1 duty type) / **D: DRY version** (dry operation - S1 duty type)

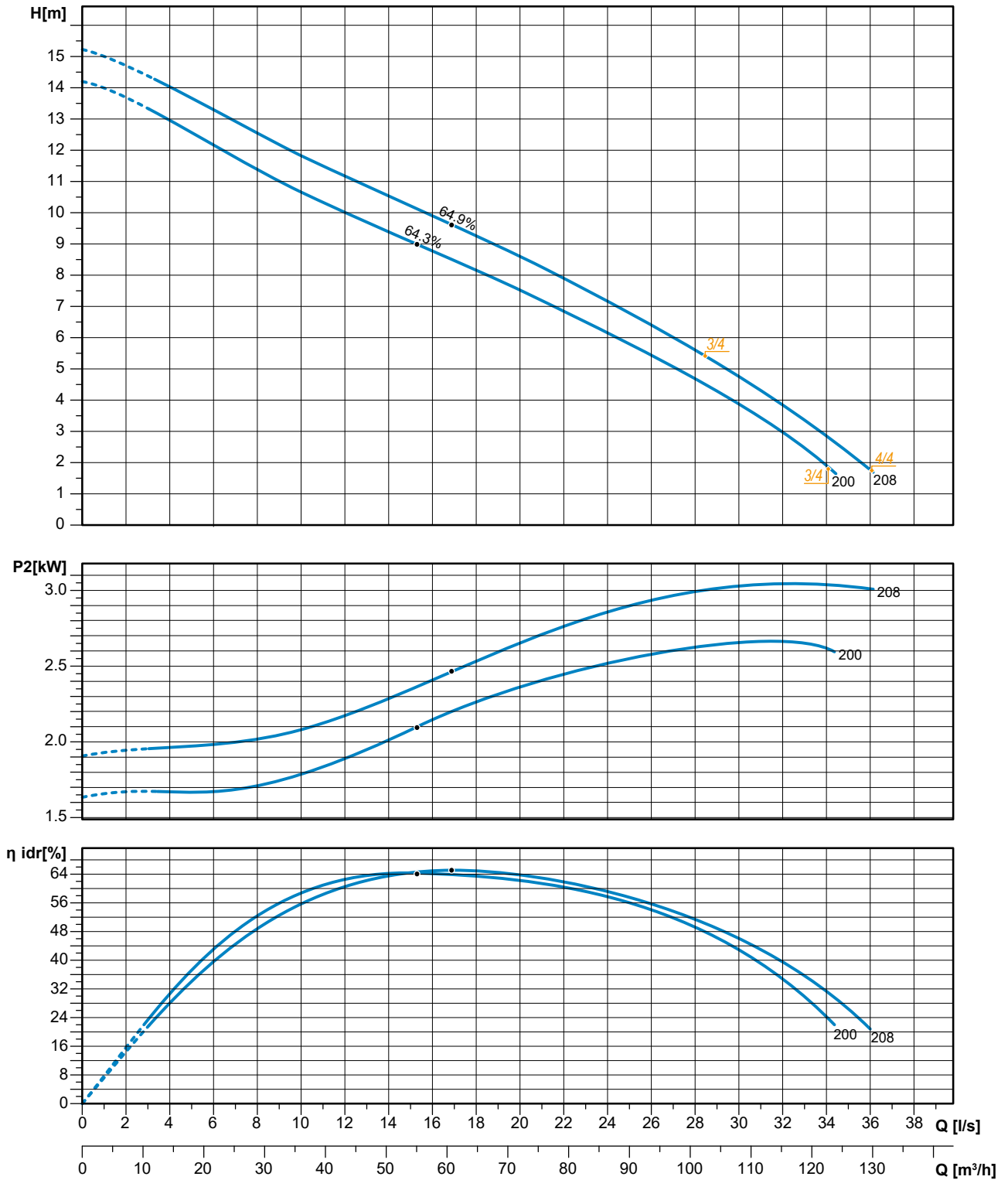
Available accessories



The data provided are not binding. Zenit reserves the right to modify any product without notice.

ZUG OC 080H - 4p

Performances



Characteristic curves according to UNI EN ISO 9906:2012

ZUG OC 080H - 6p

1.1 kW - 6 poles

Hydraulics

Open channel impeller

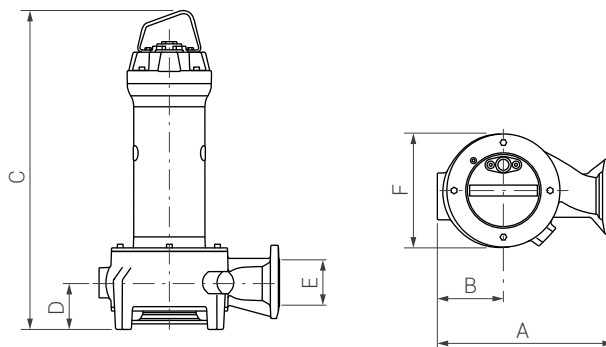
Free passage: 75 mm
 Discharge: DN80 - EN 1092-2
 Suction: DN100



Motor (standard configuration)

Type	V/~	Start	A	cos φ	P1 (kW)	P2 (kW)	η mot. %	Efficiency class
1.1/6 B	400/3	DOL	2.9	0.67	1.4	1.1	81.0	IE3

Overall dimensions and weight

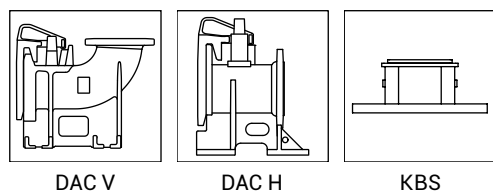


	A mm	B mm	C mm		D mm	E mm	F mm	Kg	
			WET	DRY				WET	DRY (*)
ZUG OC 080H 1.1/6 BW	394	151	655	-	88	80	292	59	-

(*) Weight for the DRY version includes cooling fluid

W: WET version (submerged operation - S1 duty type) / **D: DRY version** (dry operation - S1 duty type)

Available accessories



DAC V

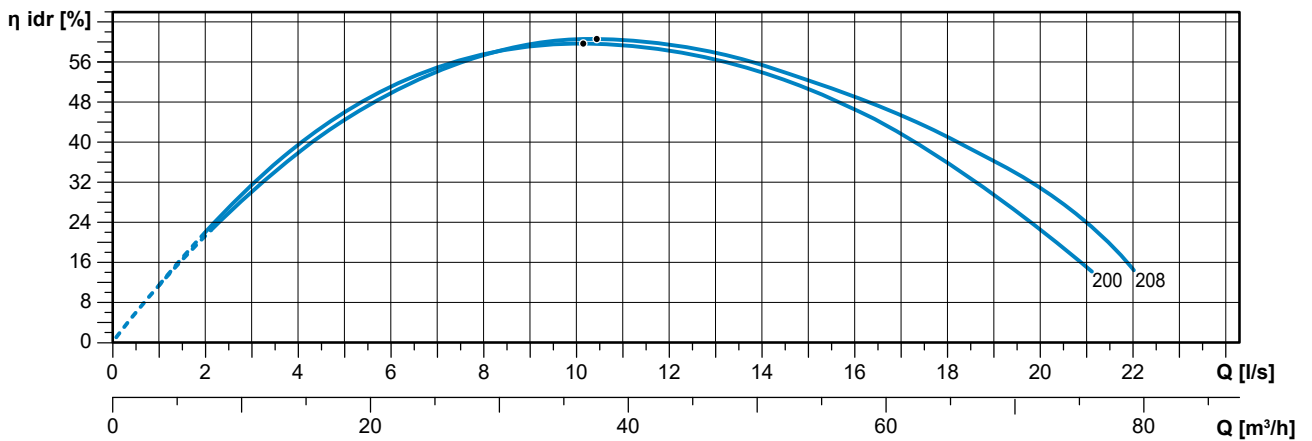
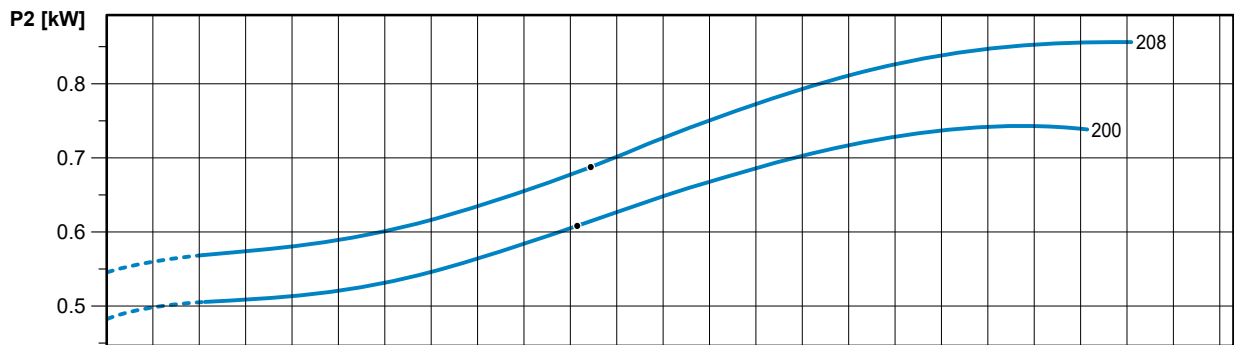
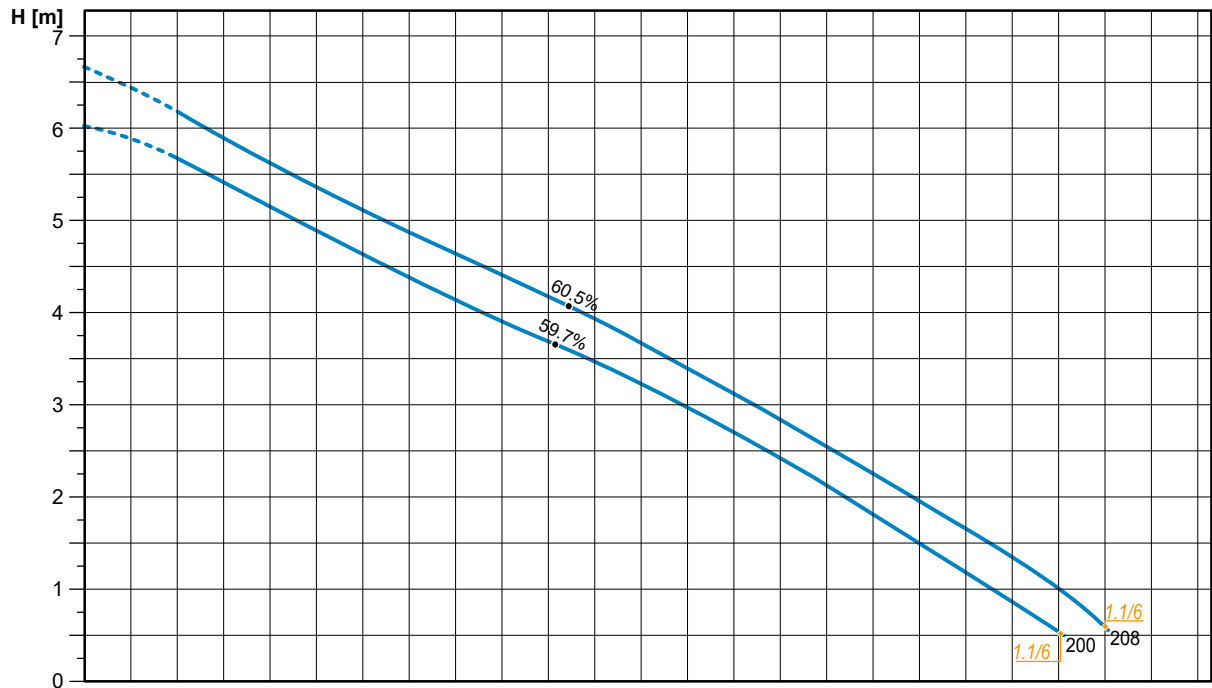
DAC H

KBS

The data provided are not binding. Zenit reserves the right to modify any product without notice.

ZUG OC 080H - 6p

Performances



Characteristic curves according to UNI EN ISO 9906:2012

ZUG OC 080N

1.1 kW - 6 poles

Hydraulics

Open channel impeller

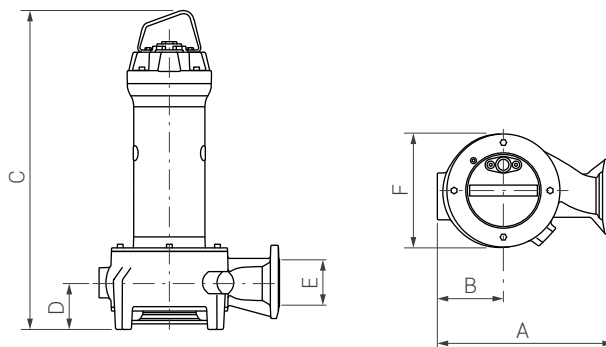
Free passage: 60 mm
 Discharge: DN80 - EN 1092-2
 Suction: DN100



Motor (standard configuration)

Type	V/~	Start	A	cos φ	P1 (kW)	P2 (kW)	η mot. %	Efficiency class
1.1/6 B	400/3	DOL	2.9	0.67	1.4	1.1	81.0	IE3

Overall dimensions and weight

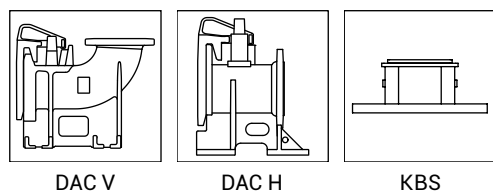


	A mm	B mm	C mm		D mm	E mm	F mm	Kg	
			WET	DRY				WET	DRY (*)
ZUG OC 080N 1.1/6 BW	394	151	655	-	88	80	292	59	-

(*) Weight for the DRY version includes cooling fluid

W: WET version (submerged operation - S1 duty type) / **D: DRY version** (dry operation - S1 duty type)

Available accessories



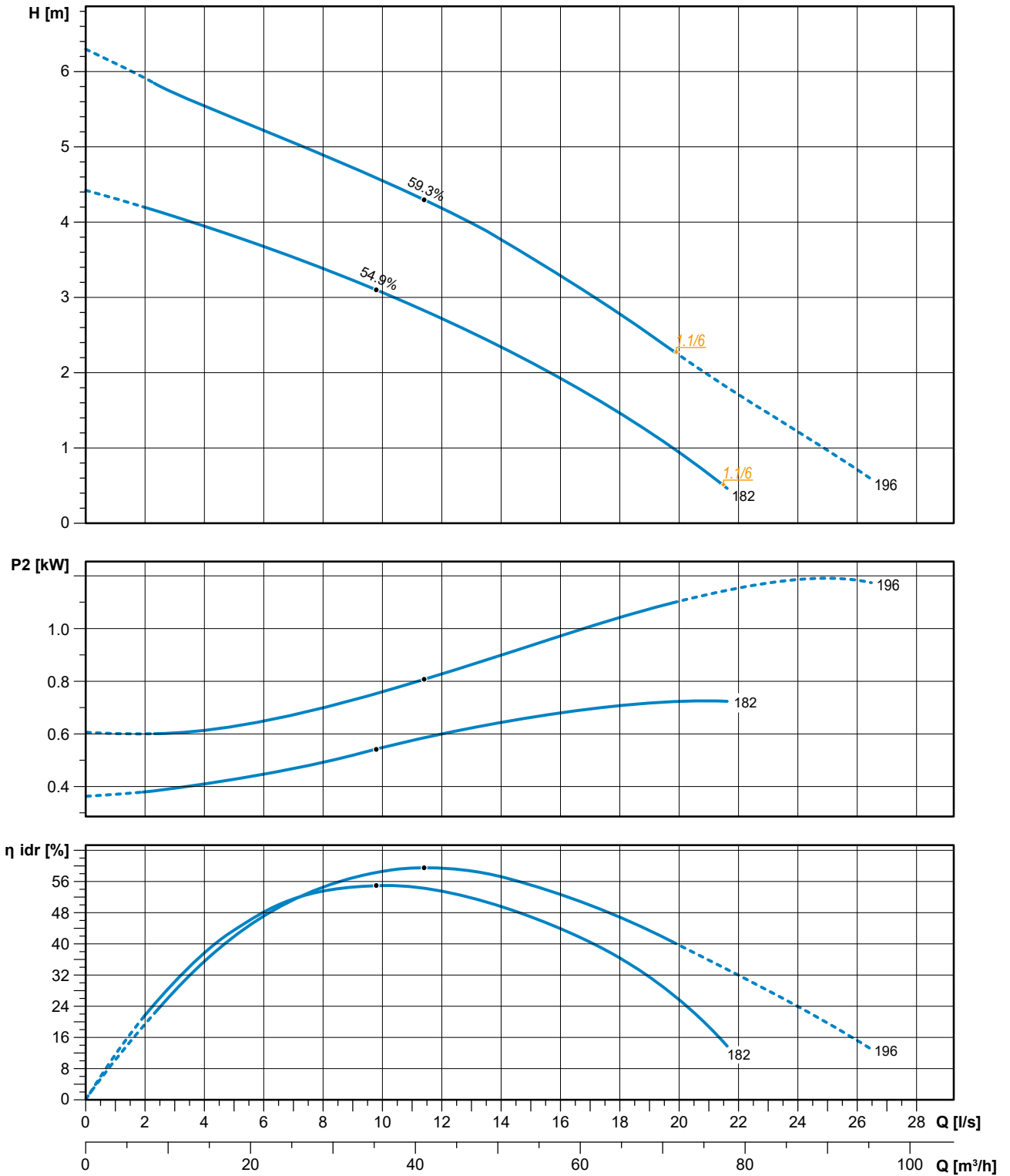
DAC V

DAC H

KBS

ZUG OC 080N

Performances



Characteristic curves according to UNI EN ISO 9906:2012

ZUG OC 080W

11 ÷ 30kW - 2 poles

Hydraulics

Open channel impeller

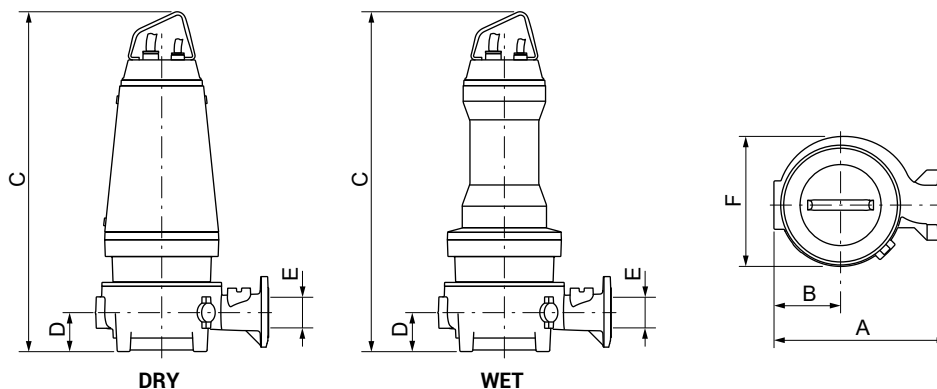
Free passage: 45 mm
 Discharge: DN80 - EN 1092-2
 Suction: DN150



Motor (standard configuration)

Type	V/~	Start	A	cos φ	P1 (kW)	P2 (kW)	η mot. %	Efficiency class
11/2 A	400/3	DOL	20.0	0.87	12.0	11.0	91.7	IE3
15/2 A	400-700/3	Y Δ	26.7	0.88	16.32	15.0	91.9	IE3
18.5/2 A	400-700/3	Y Δ	33.1	0.87	20.04	18.5	92.3	IE3
22/2 A	400-700/3	Y Δ	39.3	0.87	23.7	22.0	92.8	IE3
30/2 A	400-700/3	Y Δ	51.0	0.91	32.2	30.0	93.3	IE3

Overall dimensions and weight

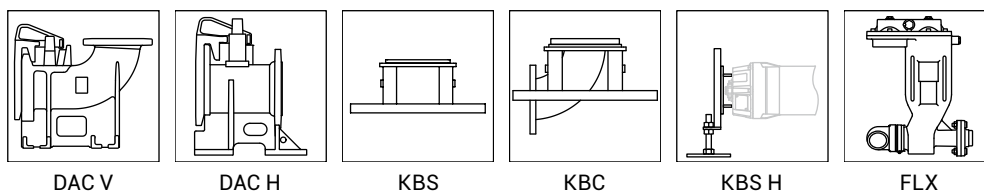


	A mm	B mm	C mm		D mm	E mm	F mm	Kg	
			WET	DRY				WET	DRY (+)
ZUG OC 080W 11/2 AW (D)	481	188	950	1025	124	80	359	175.9	258
ZUG OC 080W 15/2 AW (D)	481	188	1115	1115	124	80	375	239	274.6
ZUG OC 080W 18.5/2 AW (D)	481	188	1115	1115	124	80	375	248.5	284.1
ZUG OC 080W 22/2 AW (D)	494	201	1165	1165	124	80	403	305.6	352.6
ZUG OC 080W 30/2 AW (D)	494	201	1165	1165	124	80	403	315.8	352.6

(+) Weight for the DRY version includes cooling fluid

W: WET version (submerged operation - S1 duty type) / **D: DRY version** (dry operation - S1 duty type)

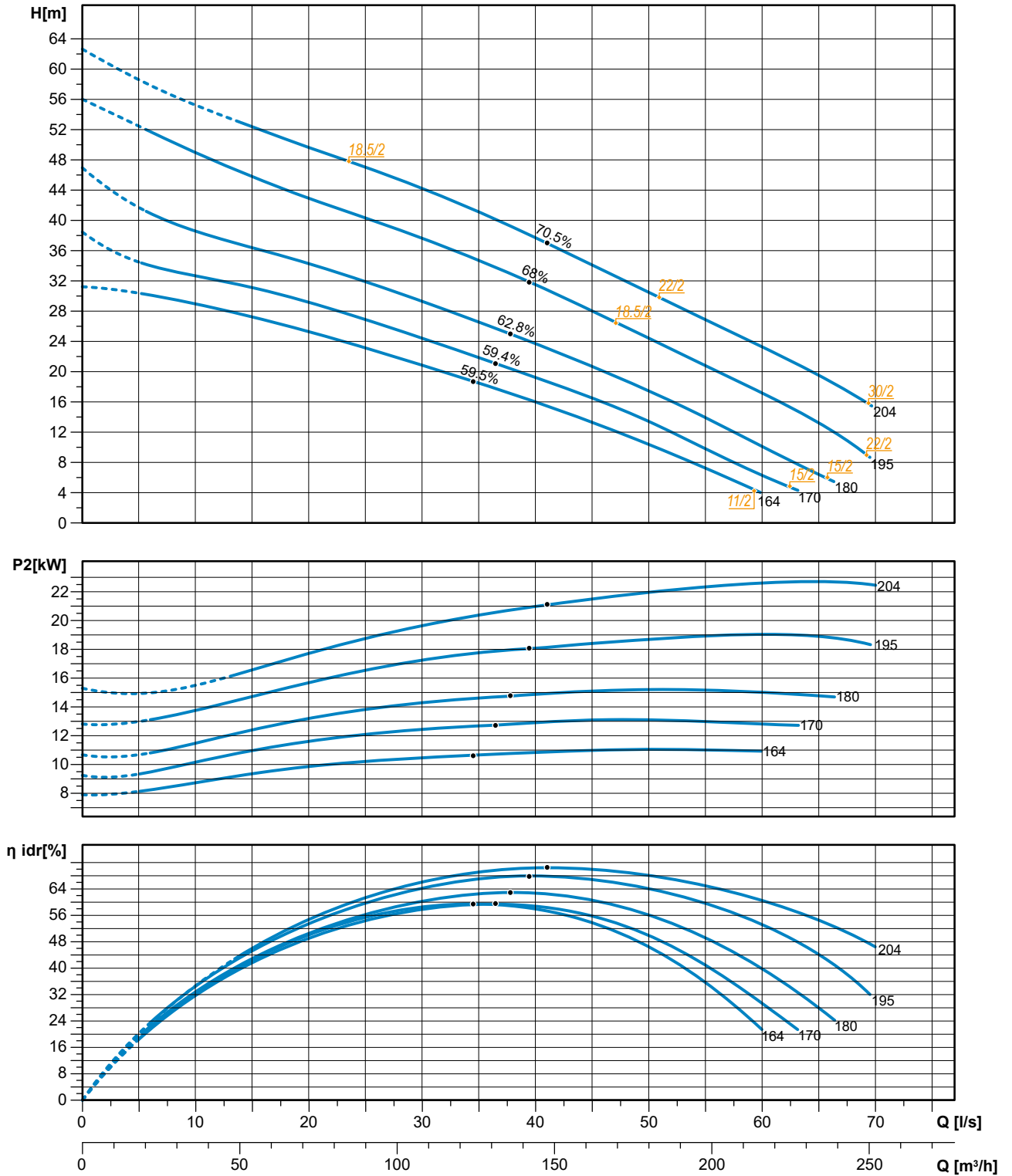
Available accessories



The data provided are not binding. Zenit reserves the right to modify any product without notice.

ZUG OC 080W

Performances



Characteristic curves according to UNI EN ISO 9906:2012

ZUG OC 080Z

3 ÷ 5.5kW - 4 poles

Hydraulics

Open channel impeller

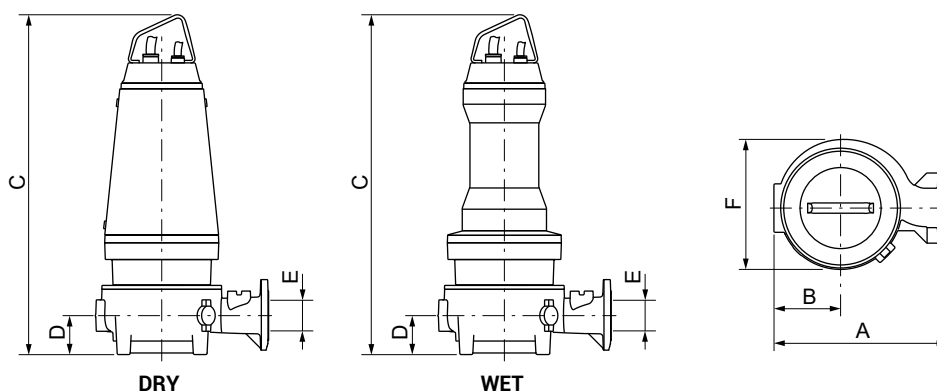
Free passage: 60 mm
 Discharge: DN80 - EN 1092-2
 Suction: DN150



Motor (standard configuration)

Type	V/~	Start	A	cos φ	P1 (kW)	P2 (kW)	η mot. %	Efficiency class
3/4 A	400/3	DOL	6.6	0.75	3.42	3.0	87.7	IE3
4/4 A	400/3	DOL	8.4	0.77	4.51	4.0	88.7	IE3
5.5/4 A	400/3	DOL	11.7	0.76	6.14	5.5	89.6	IE3

Overall dimensions and weight

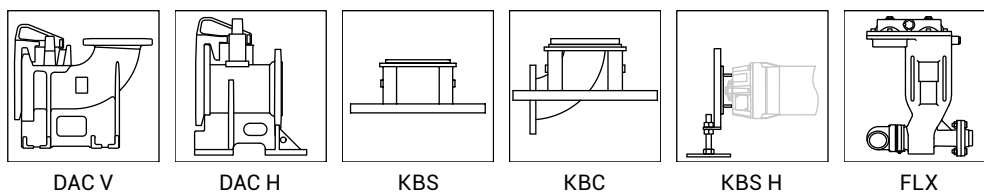


	A	B	C mm		D	E	F	Kg	
	mm	mm	WET	DRY	mm	mm	mm	WET	DRY (+)
ZUG OC 080Z 3/4 AW (D)	438	170	834	-	109	80	348	155	-
ZUG OC 080Z 3/4 AD	449	181	-	1010	109	80	363	-	258
ZUG OC 080Z 4/4 AW (D)	438	170	934	-	109	80	348	173	-
ZUG OC 080Z 4/4 AD	449	181	-	1010	109	80	363	-	258
ZUG OC 080Z 5.5/4 AW (D)	438	170	934	-	109	80	348	176	-
ZUG OC 080Z 5.5/4 AD	449	181	-	1010	109	80	363	-	261

(+) Weight for the DRY version includes cooling fluid

W: WET version (submerged operation - S1 duty type) / **D: DRY version** (dry operation - S1 duty type)

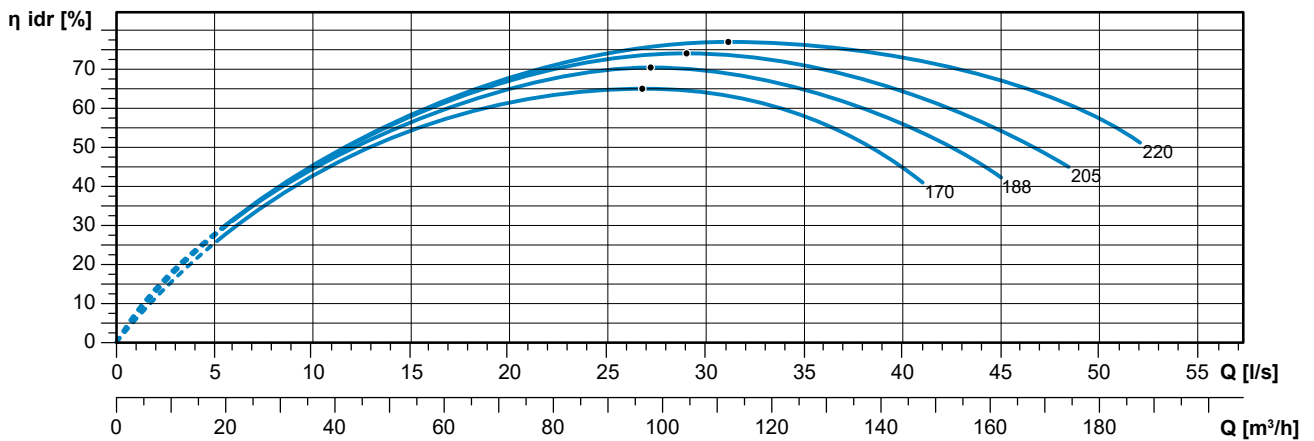
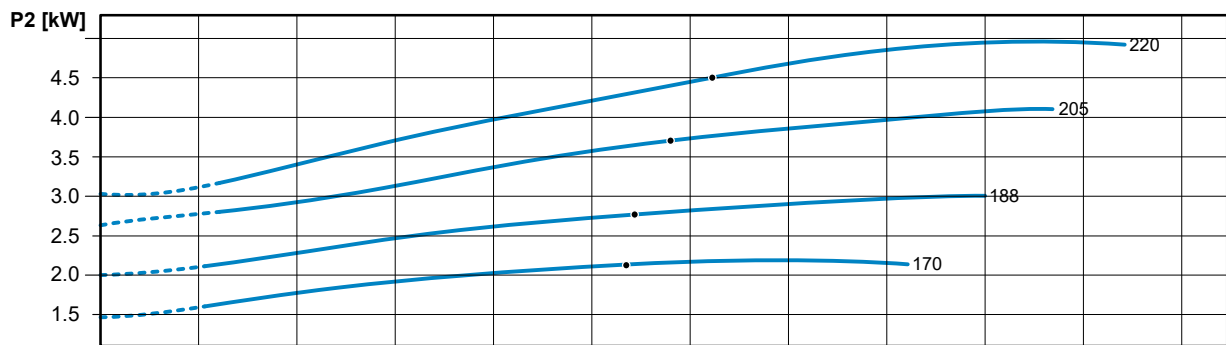
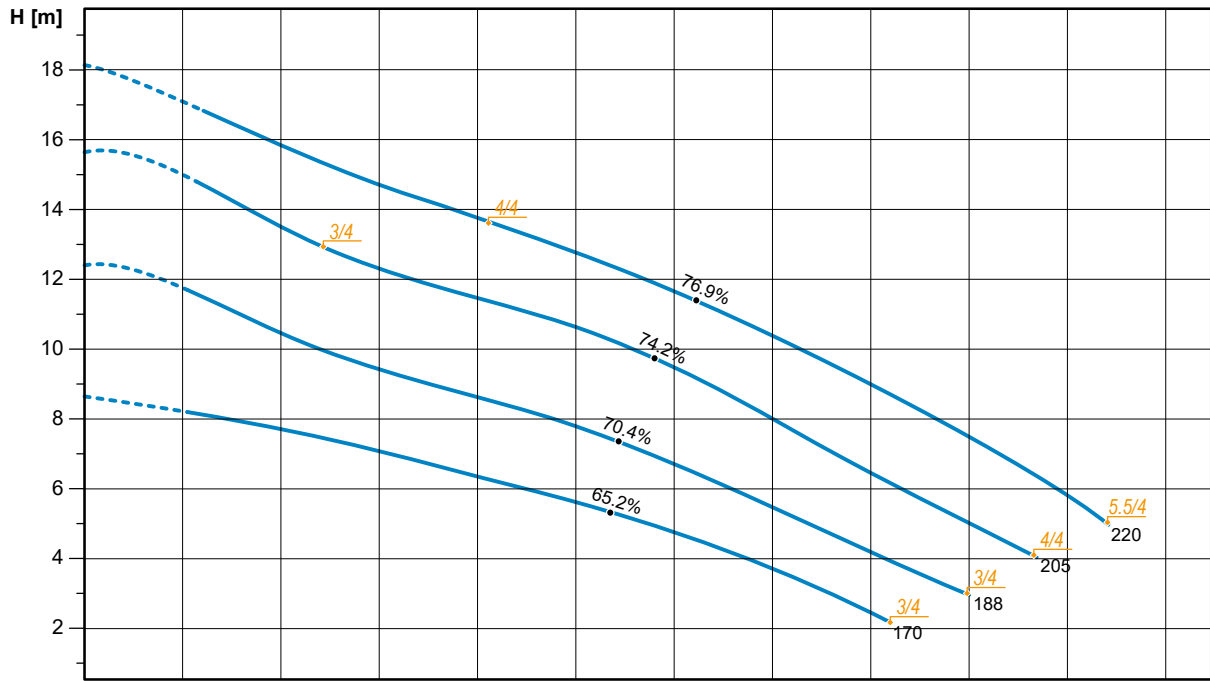
Available accessories



The data provided are not binding. Zenit reserves the right to modify any product without notice.

ZUG OC 080Z

Performances



Characteristic curves according to UNI EN ISO 9906:2012

ZUG OC 100A

7.5 ÷ 18.5 kW - 4 poles

Hydraulics

Open channel impeller

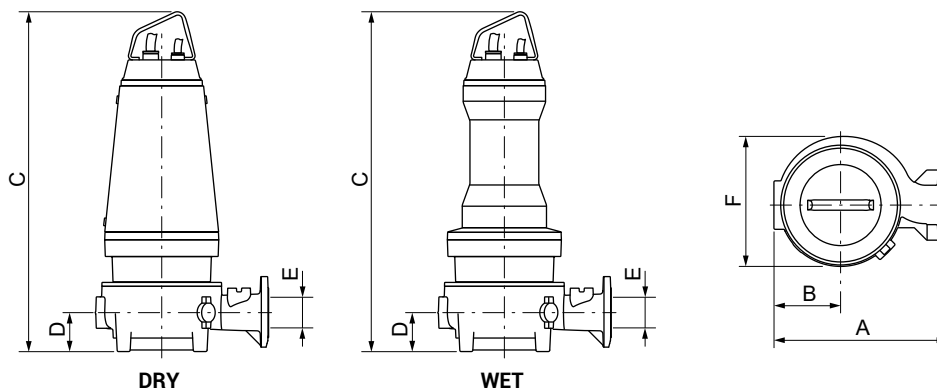
Free passage: 80 mm
 Discharge: DN100 - EN 1092-2
 Suction: DN150



Motor (standard configuration)

Type	V/~	Start	A	cos φ	P1 (kW)	P2 (kW)	η mot. %	Efficiency class
7.5/4 A	400-700/3	Y Δ	14.5	0.83	8.3	7.5	90.4	IE3
9/4 A	400-700/3	Y Δ	18.3	0.78	9.9	9.0	90.8	IE3
11/4 A	400-700/3	Y Δ	21.3	0.81	12.0	11.0	91.4	IE3
15/4 A	400-700/3	Y Δ	28.2	0.84	16.3	15.0	91.9	IE3
18.5/4 A	400-700/3	Y Δ	35.2	0.82	20.0	18.5	92.6	IE3

Overall dimensions and weight

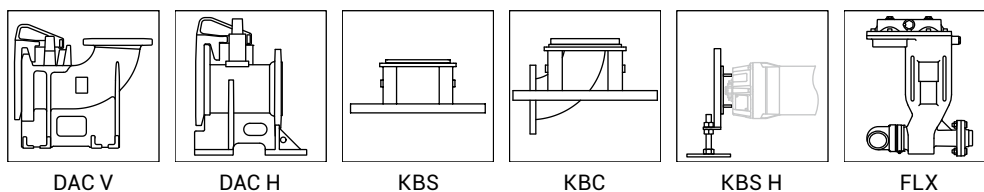


	A mm	B mm	C mm		D mm	E mm	F mm	Kg	
			WET	DRY				WET	DRY (+)
ZUG OC 100A 7.5/4 AW (D)	548	208	1025	1025	124	100	414	240	275
ZUG OC 100A 9/4 AW (D)	548	208	1115	1115	124	100	414	240	294
ZUG OC 100A 11/4 AW (D)	548	208	1166	1166	124	100	414	312.2	359.2
ZUG OC 100A 15/4 AW (D)	548	208	1166	1166	124	100	414	325.9	372.9
ZUG OC 100A 18.5/4 AW (D)	561	221	1349	1349	124	100	443	410.5	463.5

(+) Weight for the DRY version includes cooling fluid

W: WET version (submerged operation - S1 duty type) / **D: DRY version** (dry operation - S1 duty type)

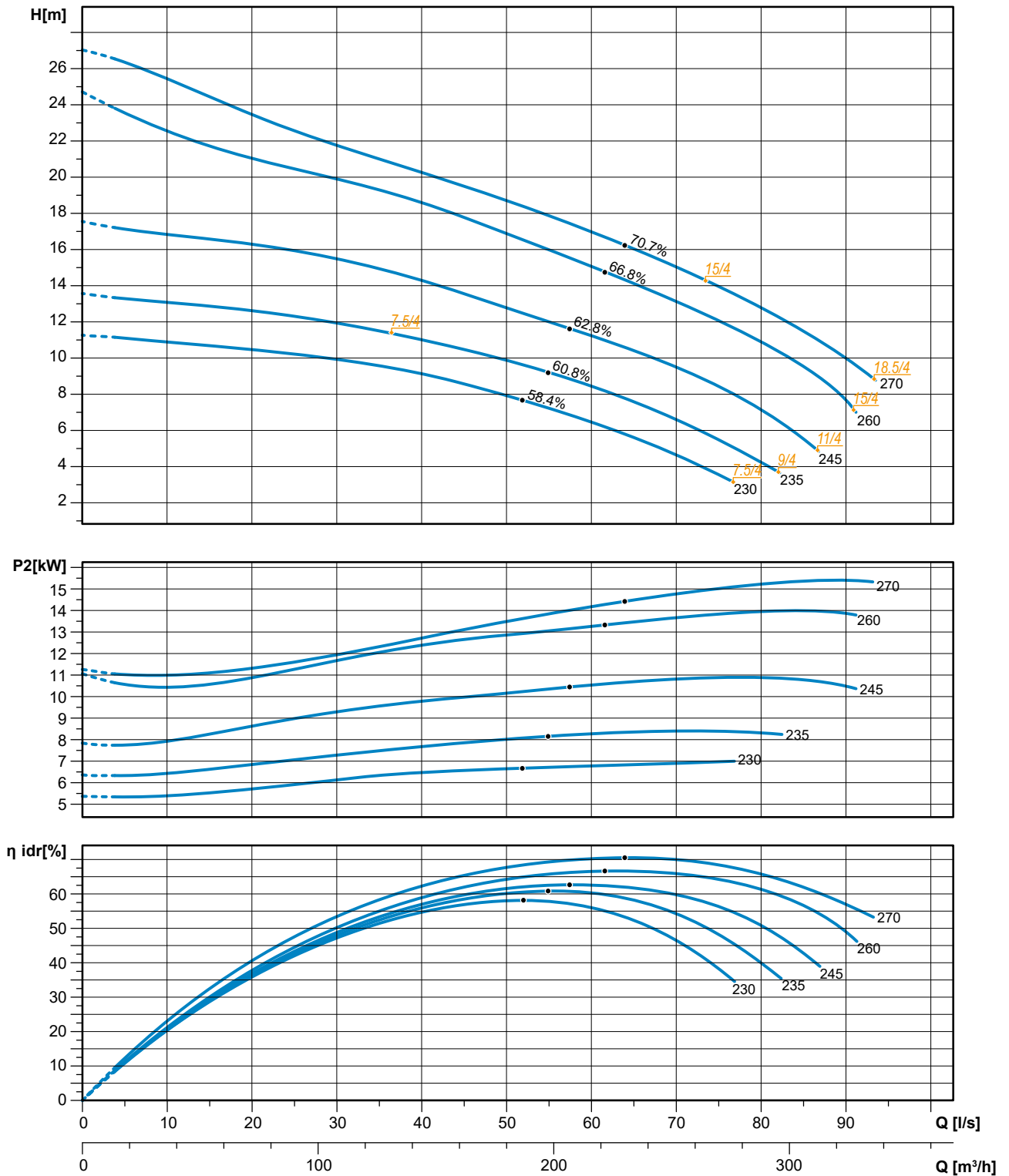
Available accessories



The data provided are not binding. Zenit reserves the right to modify any product without notice.

ZUG OC 100A

Performances



Characteristic curves according to UNI EN ISO 9906:2012

ZUG OC 100B

11 ÷ 18.5(45) kW - 4 poles

Hydraulics

Open channel impeller

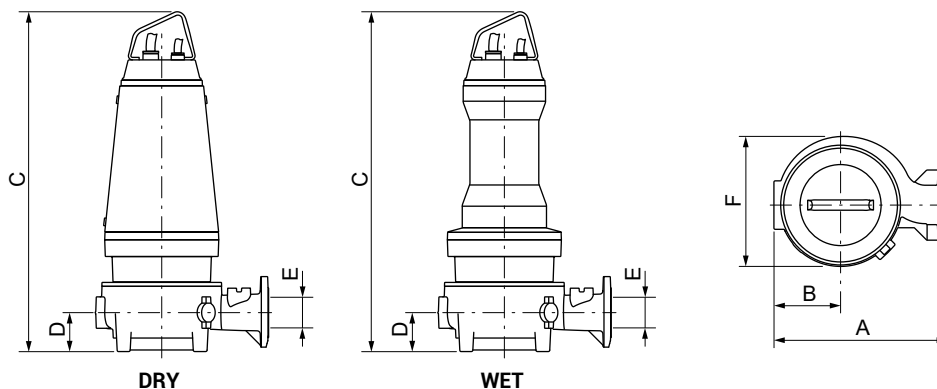
Free passage: 80 mm
 Discharge: DN100 - EN 1092-2
 Suction: DN150



Motor (standard configuration)

Type	V/~	Start	A	cos φ	P1 (kW)	P2 (kW)	η mot. %	Efficiency class
11/4 A	400-700/3	Y Δ	21.3	0.81	12.0	11.0	91.4	IE3
15/4 A	400-700/3	Y Δ	28.2	0.84	16.3	15.0	91.9	IE3
18.5/4 A	400-700/3	Y Δ	35.2	0.82	20.0	18.5	92.6	IE3

Overall dimensions and weight

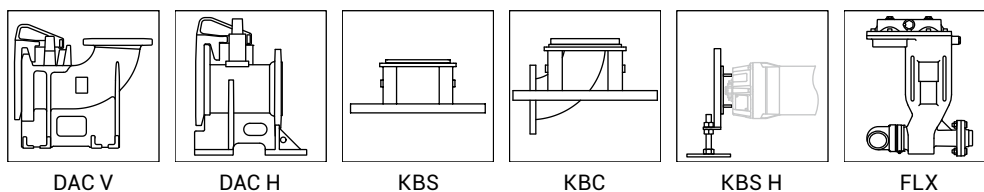


	A	B	C mm		D	E	F	Kg	
	mm	mm	WET	DRY	mm	mm	mm	WET	DRY (+)
ZUG OC 100B 11/4 AW (D)	590	240	1170	1170	120	100	475	313	360
ZUG OC 100B 15/4 AW (D)	590	240	1170	1170	120	100	475	326	373
ZUG OC 100B 18.5/4 AW (D)	590	240	1350	1350	120	100	475	411	464

(*) Weight for the DRY version includes cooling fluid

W: WET version (submerged operation - S1 duty type) / **D:** DRY version (dry operation - S1 duty type)

Available accessories

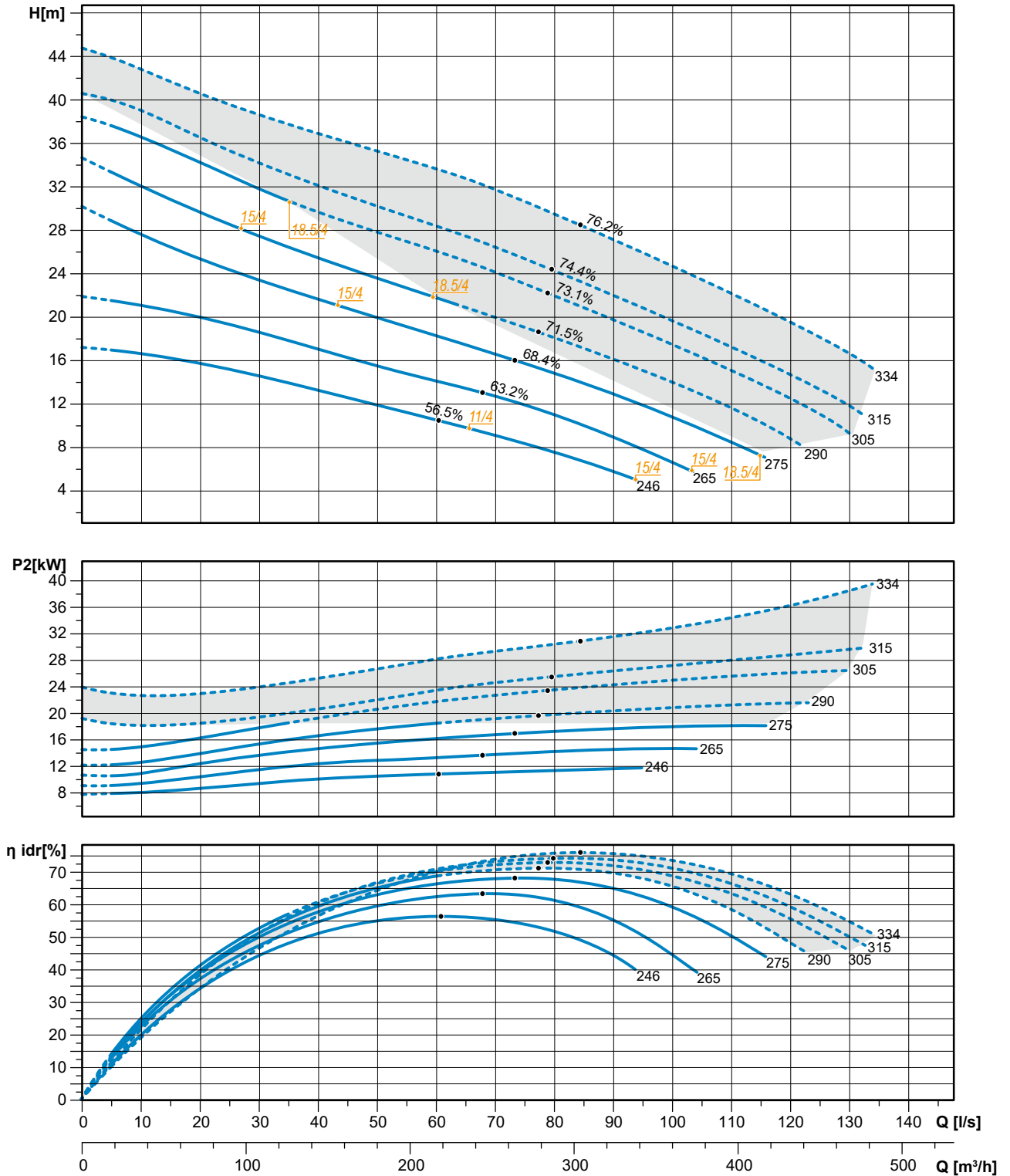


The data provided are not binding. Zenit reserves the right to modify any product without notice.

ZUG OC 100B

Performances

Contact Zenit



Characteristic curves according to UNI EN ISO 9906:2012

ZUG OC 100E

4 ÷ 9 kW - 4 poles

Hydraulics

Open channel impeller

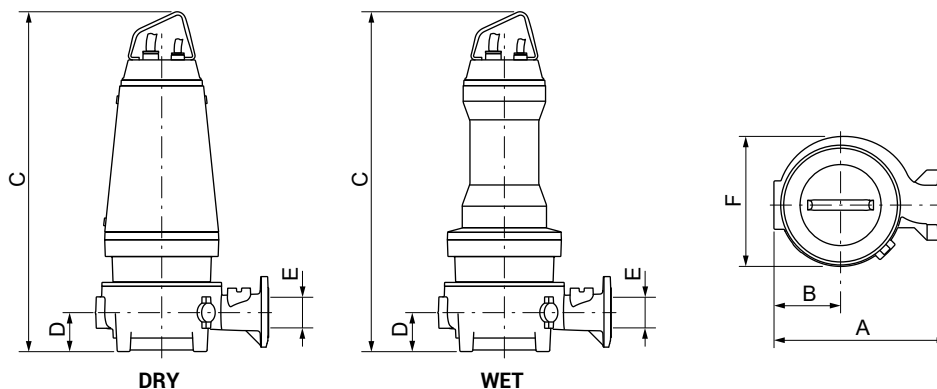
Free passage: 80 mm
 Discharge: DN100 - EN 1092-2
 Suction: DN150



Motor (standard configuration)

Type	V/~	Start	A	cos φ	P1 (kW)	P2 (kW)	η mot. %	Efficiency class
4/4 A	400/3	DOL	8.4	0.77	4.5	4.0	88.7	IE3
5.5/4 A	400/3	DOL	11.7	0.76	6.1	5.5	89.6	IE3
7.5/4 A	400-700/3	Y Δ	14.5	0.83	8.3	7.5	90.4	IE3
9/4 A	400-700/3	Y Δ	18.3	0.78	9.9	9.0	90.8	IE3

Overall dimensions and weight

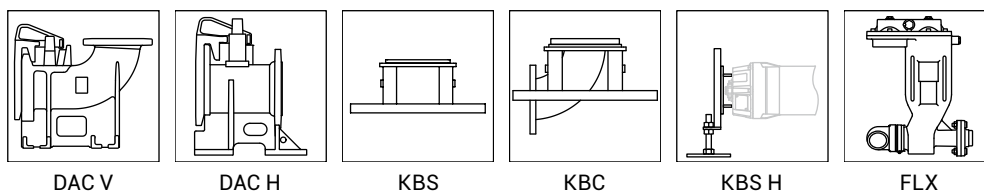


	A mm	B mm	C mm		D mm	E mm	F mm	Kg	
			WET	DRY				WET	DRY (*)
ZUG OC 100E 4/4 AW (D)	550	210	950	1025	125	100	420	182.7	267.7
ZUG OC 100E 5.5/4 AW (D)	550	210	950	1025	125	100	420	185.7	271.7
ZUG OC 100E 7.5/4 AW (D)	550	210	1025	1025	125	100	415	235	270
ZUG OC 100E 9/4 AW (D)	550	210	1120	1120	125	100	415	256	289

(*) Weight for the DRY version includes cooling fluid

W: WET version (submerged operation - S1 duty type) / **D: DRY version** (dry operation - S1 duty type)

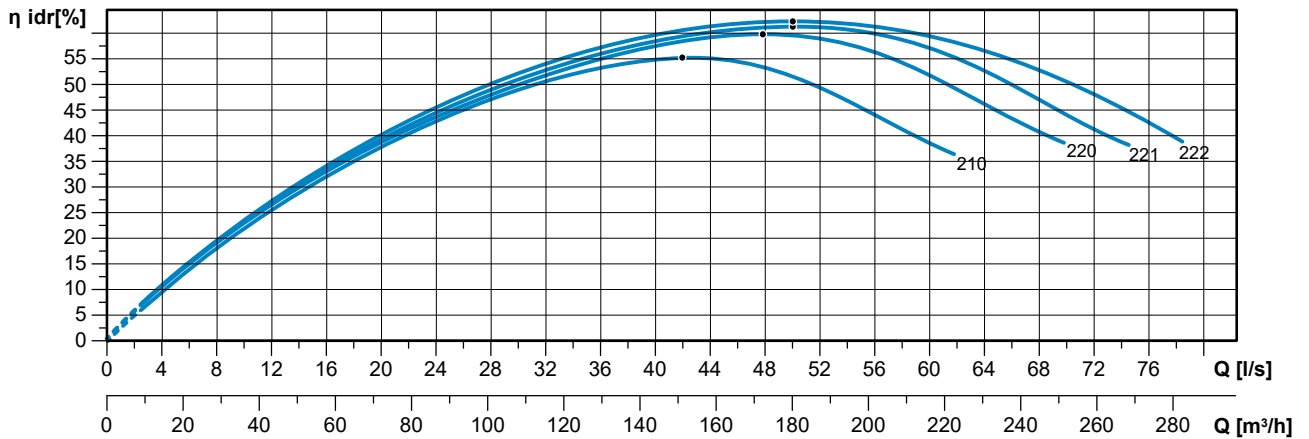
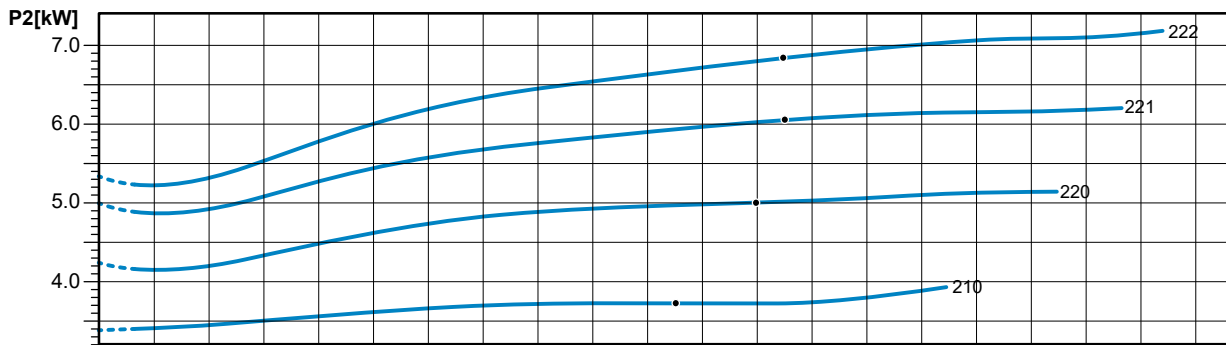
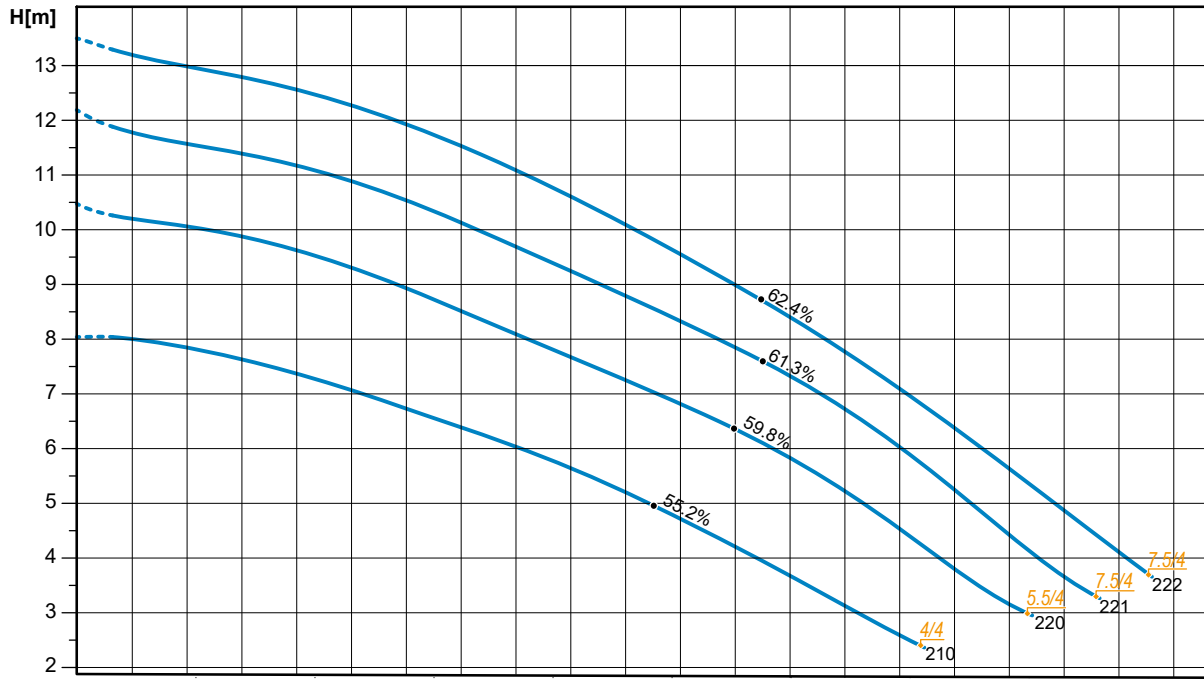
Available accessories



The data provided are not binding. Zenit reserves the right to modify any product without notice.

ZUG OC 100E

Performances



Characteristic curves according to UNI EN ISO 9906:2012

ZUG OC 100F

3 ÷ 15 kW - 4 poles

Hydraulics

Open channel impeller

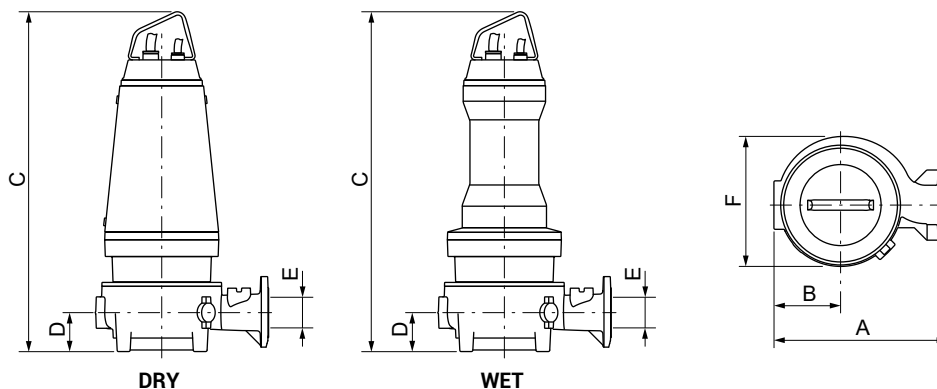
Free passage: 45 mm
 Discharge: DN100 - EN 1092-2
 Suction: DN150



Motor (standard configuration)

Type	V/~	Start	A	cos φ	P1 (kW)	P2 (kW)	η mot. %	Efficiency class
3/4 A	400/3	DOL	6.6	0.75	3.4	3.0	87.7	IE3
4/4 A	400/3	DOL	8.4	0.77	4.5	4.0	88.7	IE3
5.5/4 A	400/3	DOL	11.7	0.76	6.1	5.5	89.6	IE3
7.5/4 A	400-700/3	Y Δ	14.5	0.83	8.3	7.5	90.4	IE3
9/4 A	400-700/3	Y Δ	18.3	0.78	9.9	9.0	90.8	IE3
11/4 A	400-700/3	Y Δ	21.3	0.81	12.0	11.0	91.4	IE3
15/4 A	400-700/3	Y Δ	28.2	0.84	16.3	15.0	91.9	IE3

Overall dimensions and weight

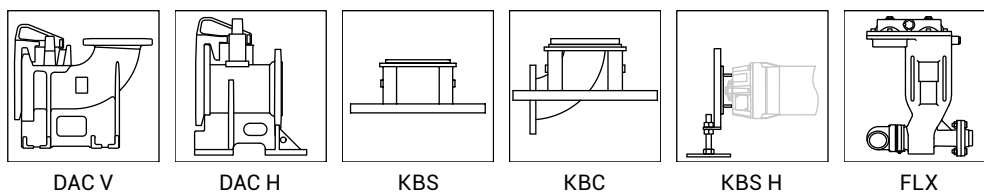


	A mm	B mm	C mm		D mm	E mm	F mm	Kg	
			WET	DRY				WET	DRY (+)
ZUG OC 100F 3/4 AW	605	210	860	-	125	100	415	191	-
ZUG OC 100F 4/4 AW (D)	605	210	960	1035	125	100	415	209	294
ZUG OC 100F 5.5/4 AW (D)	605	210	960	1035	125	100	415	212	298
ZUG OC 100F 7.5/4 AW (D)	605	210	1035	1035	125	100	415	261.3	296.3
ZUG OC 100F 9/4 AW (D)	605	210	1130	1130	125	100	415	282.3	315.3
ZUG OC 100F 11/4 AW (D)	605	210	1180	1180	125	100	415	333.5	380.5
ZUG OC 100F 15/4 AW (D)	605	210	1180	1180	125	100	415	347.2	394.2

(+) Weight for the DRY version includes cooling fluid

W: WET version (submerged operation - S1 duty type) / **D: DRY version** (dry operation - S1 duty type)

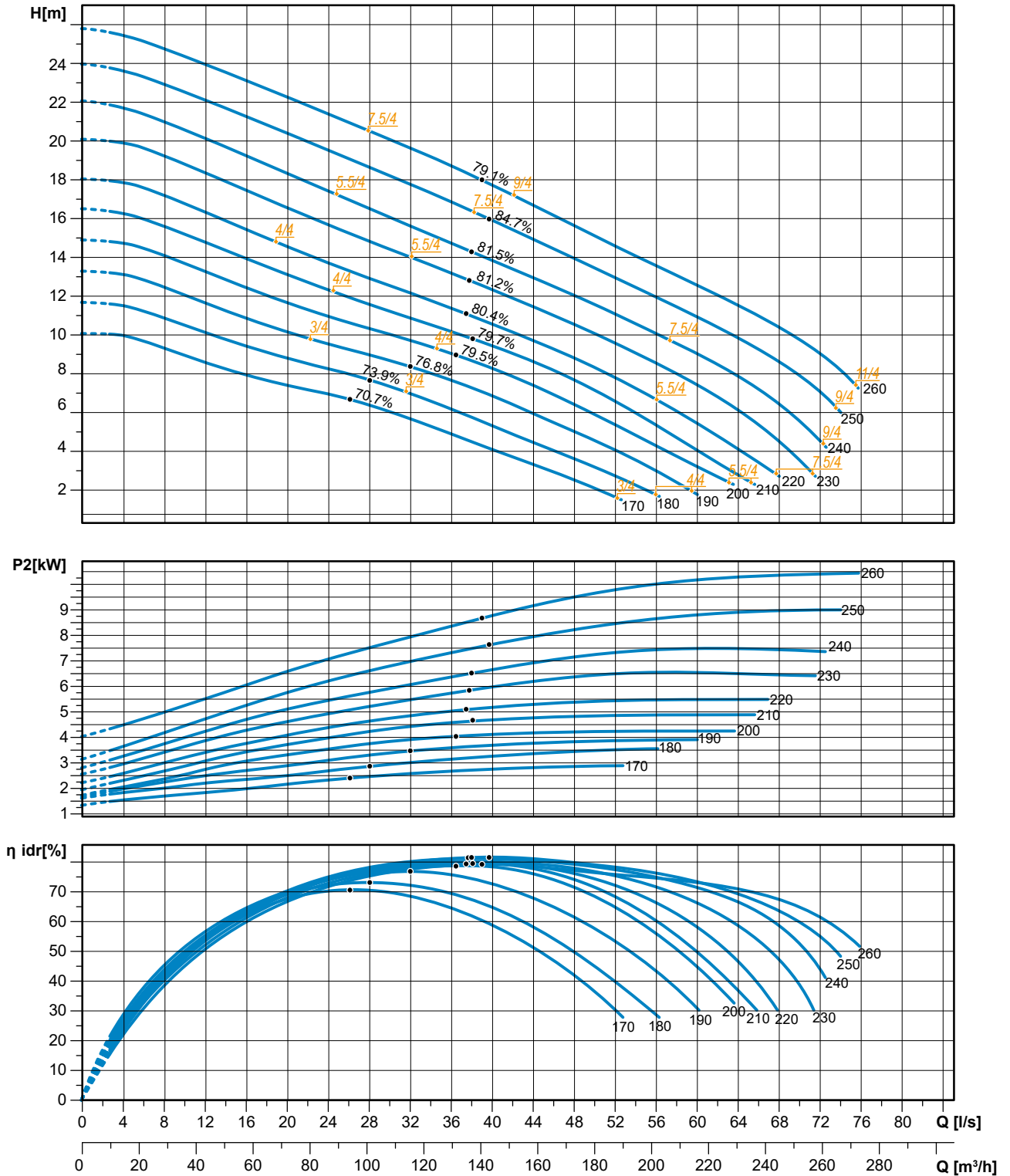
Available accessories



The data provided are not binding. Zenit reserves the right to modify any product without notice.

ZUG OC 100F

Performances



Characteristic curves according to UNI EN ISO 9906:2012

ZUG OC 100H

7.5 ÷ 11 kW - 4 poles

Hydraulics

Open channel impeller

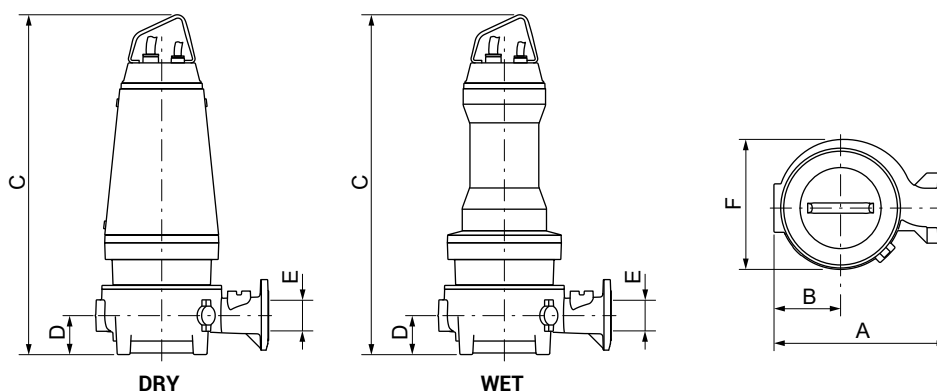
Free passage: 80 mm
 Discharge: DN100 - EN 1092-2
 Suction: DN150



Motor (standard configuration)

Type	V/~	Start	A	cos φ	P1 (kW)	P2 (kW)	η mot. %	Efficiency class
7.5/4 A	400-700/3	Y Δ	14.5	0.83	8.3	7.5	90.4	IE3
9/4 A	400-700/3	Y Δ	18.3	0.78	9.9	9.0	90.8	IE3
11/4 A	400-700/3	Y Δ	21.3	0.81	12.0	11.0	91.4	IE3

Overall dimensions and weight

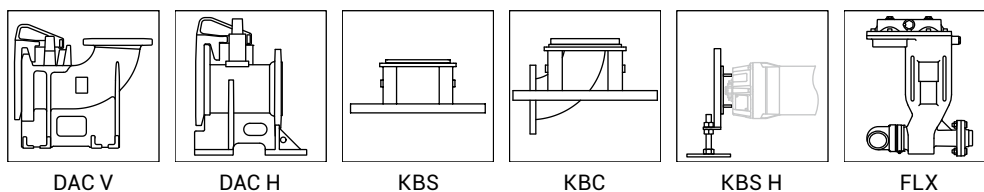


	A mm	B mm	C mm		D mm	E mm	F mm	Kg	
			WET	DRY				WET	DRY (+)
ZUG OC 100H 7.5/4 AW (D)	548	208	1025	1025	124	100	414	234.9	269.9
ZUG OC 100H 9/4 AW (D)	548	208	1115	1115	124	100	414	255.9	288.9
ZUG OC 100H 11/4 AW (D)	548	208	1166	1166	124	100	414	307.1	354.1

(*) Weight for the DRY version includes cooling fluid

W: WET version (submerged operation - S1 duty type) / **D:** DRY version (dry operation - S1 duty type)

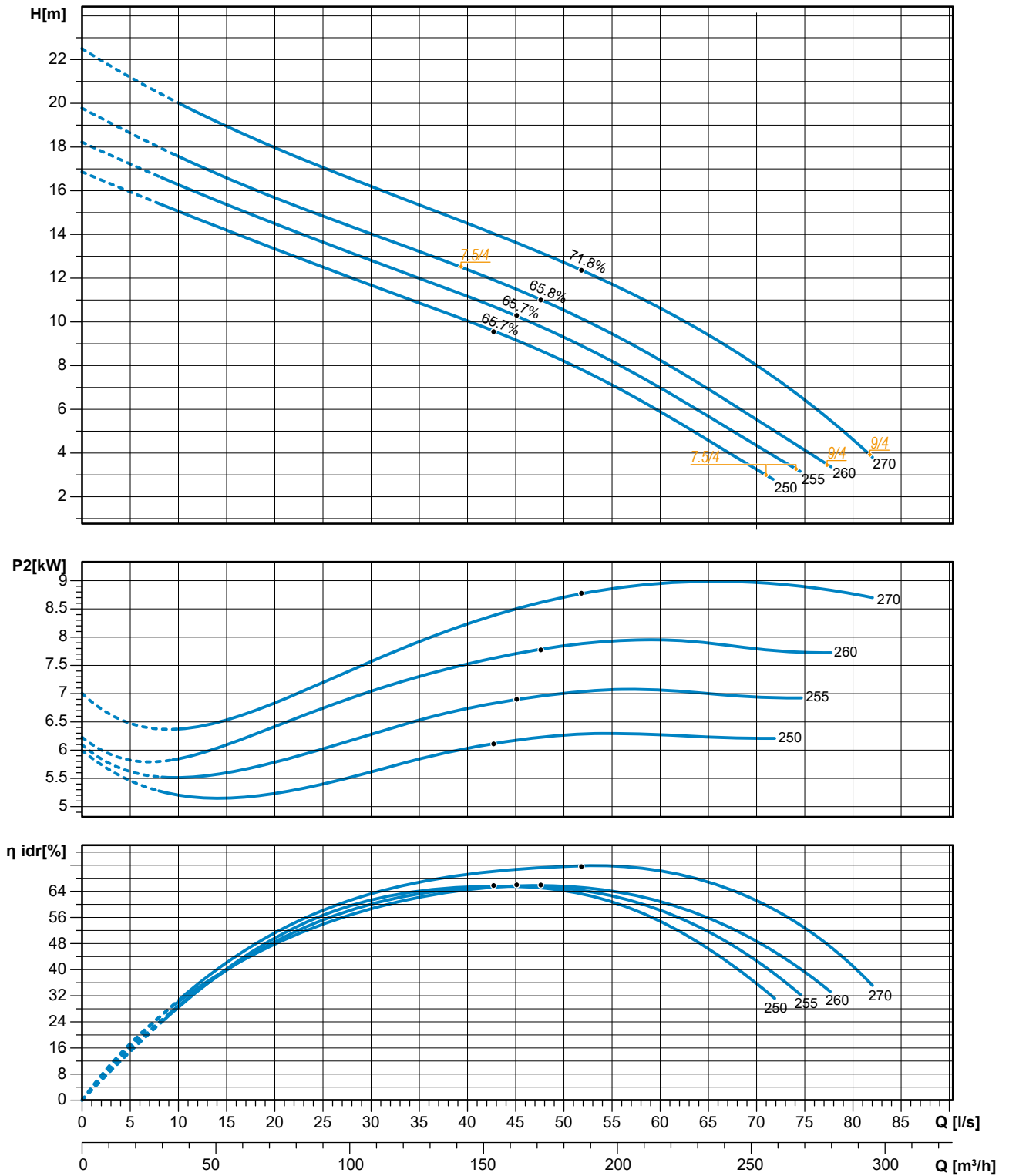
Available accessories



The data provided are not binding. Zenit reserves the right to modify any product without notice.

ZUG OC 100H

Performances



Characteristic curves according to UNI EN ISO 9906:2012

Hydraulics

Open channel impeller

Free passage:

Discharge:

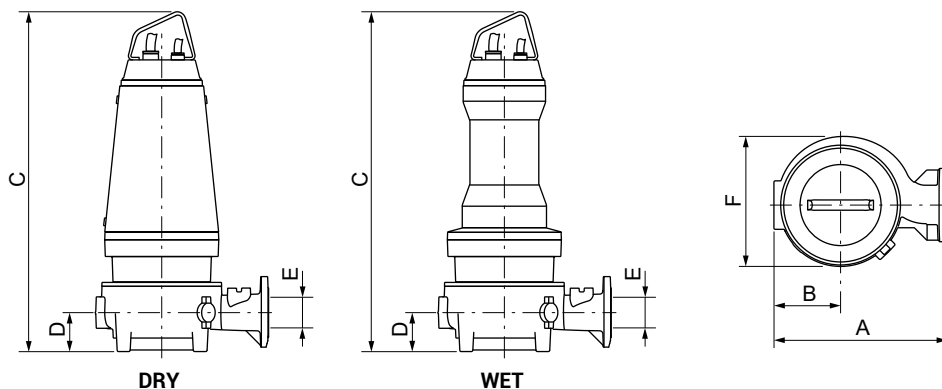
Suction:

Motor (standard configuration)

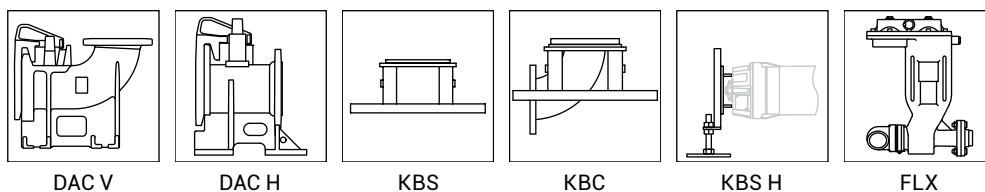
Type	Start	Efficiency class
------	-------	------------------



Overall dimensions and weight



Available accessories



Performances

Characteristic curves according to UNI EN ISO 9906:2012

Hydraulics

Open channel impeller

Free passage:

Discharge:

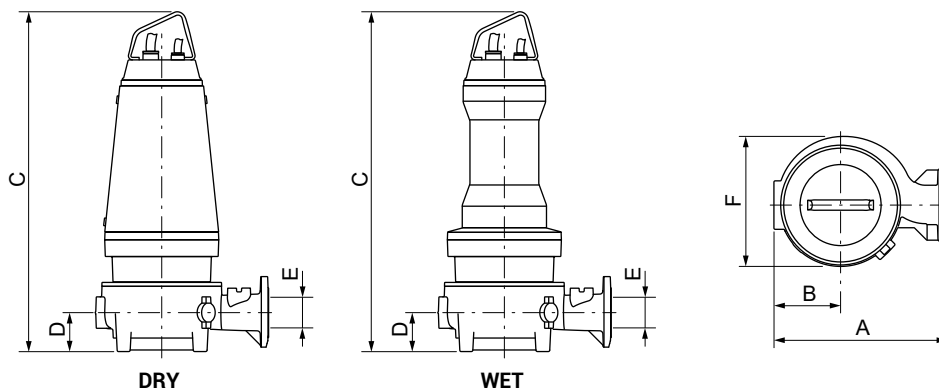
Suction:

Motor (standard configuration)

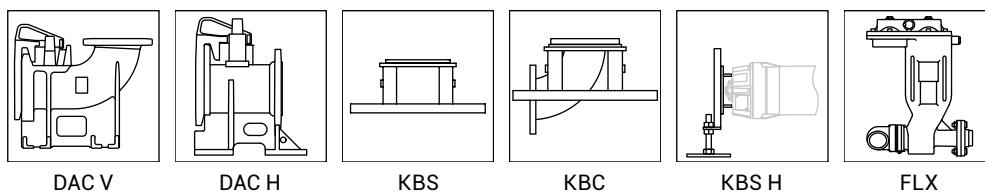
Type	Start	Efficiency class
------	-------	------------------



Overall dimensions and weight



Available accessories



Performances

Characteristic curves according to UNI EN ISO 9906:2012

Hydraulics

Open channel impeller

Free passage:

Discharge:

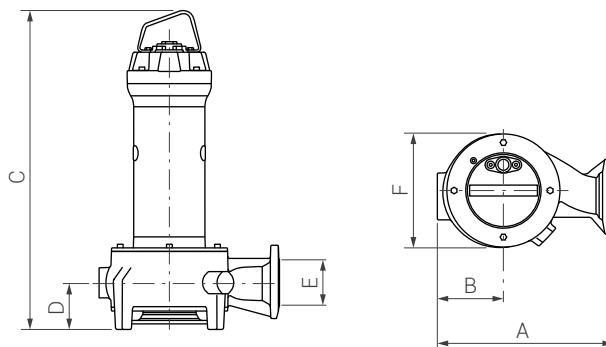
Suction:

Motor (standard configuration)

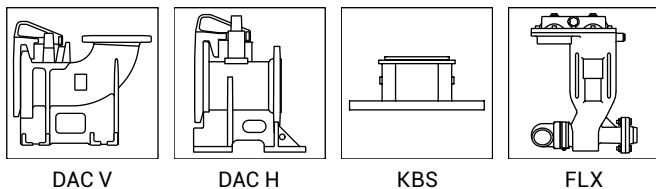
Type	Start	Efficiency class
------	-------	------------------



Overall dimensions and weight



Available accessories



Performances

Characteristic curves according to UNI EN ISO 9906:2012

Hydraulics

Open channel impeller

Free passage:

Discharge:

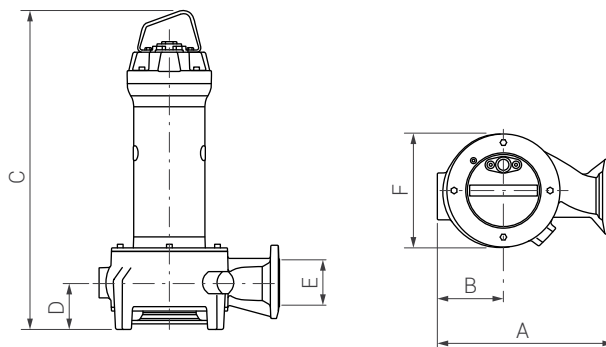
Suction:

Motor (standard configuration)

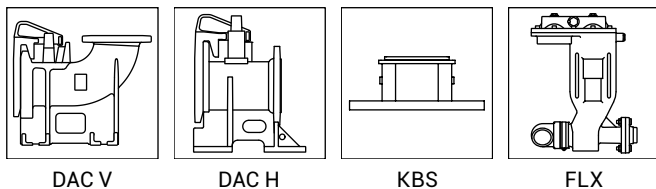
Type	Start	Efficiency class
------	-------	------------------



Overall dimensions and weight



Available accessories



Performances

Characteristic curves according to UNI EN ISO 9906:2012

Hydraulics

Open channel impeller

Free passage:

Discharge:

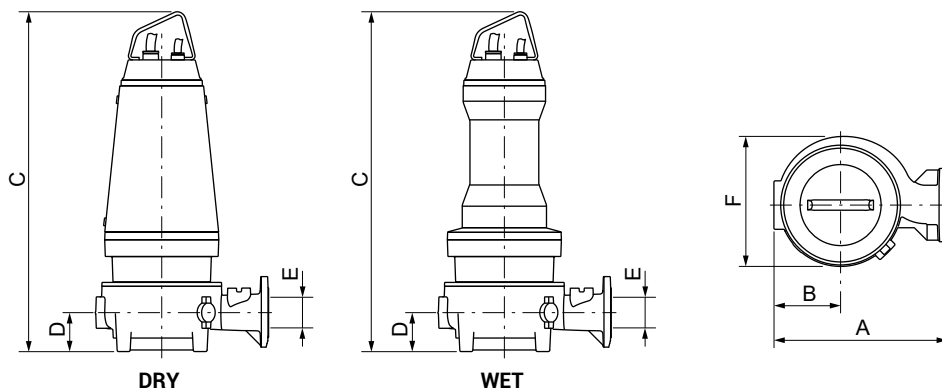
Suction:

Motor (standard configuration)

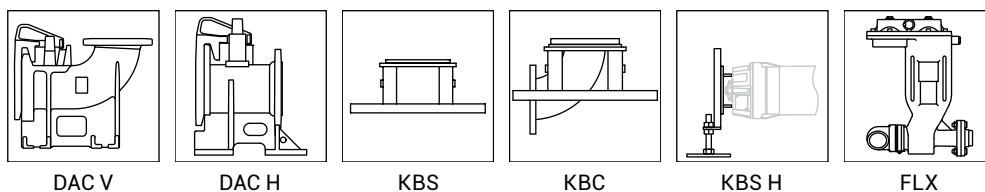
Type	Start	Efficiency class
------	-------	------------------



Overall dimensions and weight



Available accessories



Performances

Characteristic curves according to UNI EN ISO 9906:2012

Hydraulics

Open channel impeller

Free passage:

Discharge:

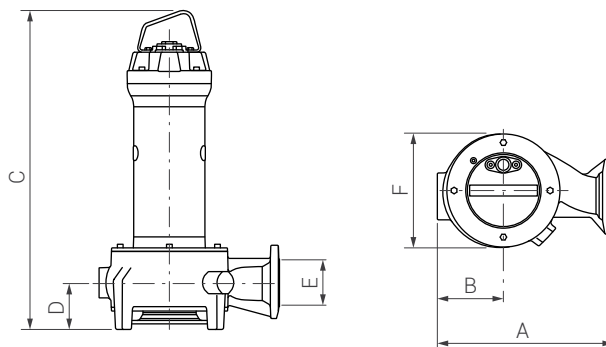
Suction:

Motor (standard configuration)

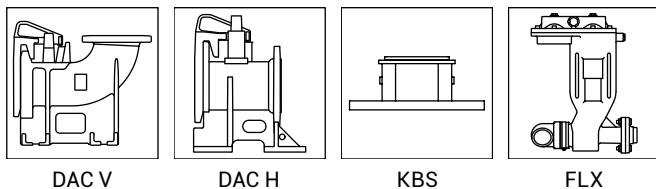
Type	Start	Efficiency class
------	-------	------------------



Overall dimensions and weight



Available accessories



Performances

Characteristic curves according to UNI EN ISO 9906:2012

Hydraulics

Open channel impeller

Free passage:

Discharge:

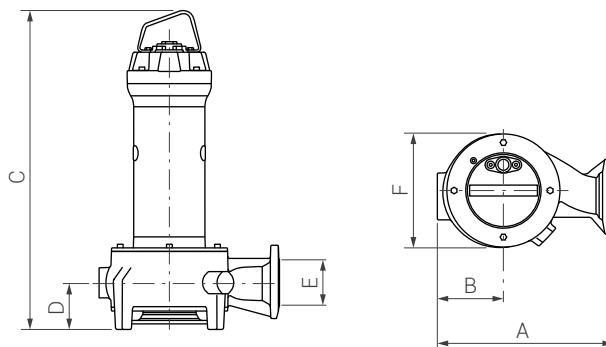
Suction:

Motor (standard configuration)

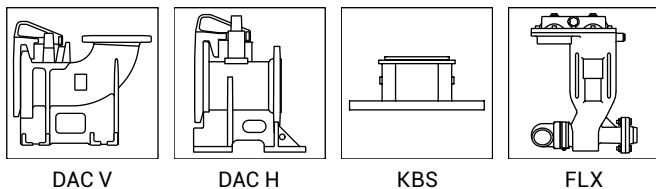
Type	Start	Efficiency class
------	-------	------------------



Overall dimensions and weight



Available accessories



Performances

Characteristic curves according to UNI EN ISO 9906:2012

Hydraulics

Open channel impeller

Free passage:

Discharge:

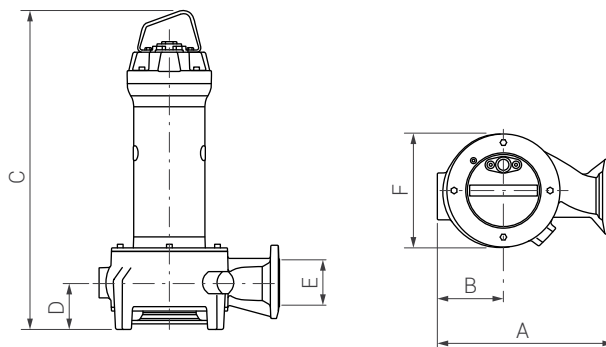
Suction:

Motor (standard configuration)

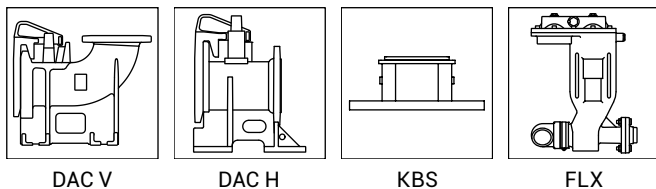
Type	Start	Efficiency class
------	-------	------------------



Overall dimensions and weight



Available accessories



Performances

Characteristic curves according to UNI EN ISO 9906:2012

Hydraulics

Open channel impeller

Free passage:

Discharge:

Suction:

Motor (standard configuration)

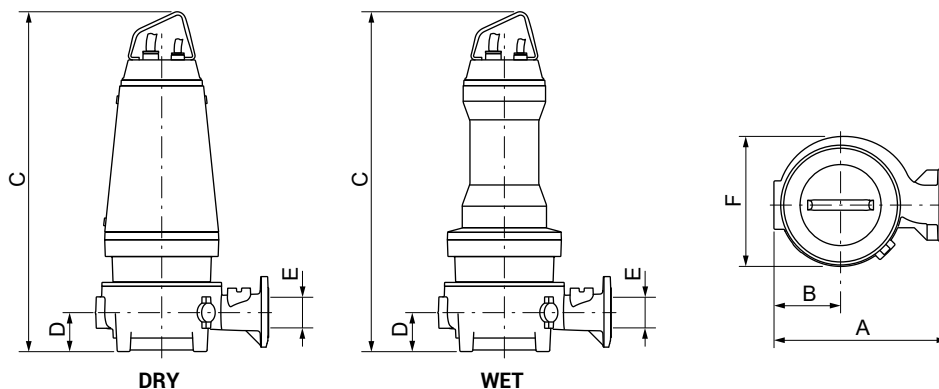


Type

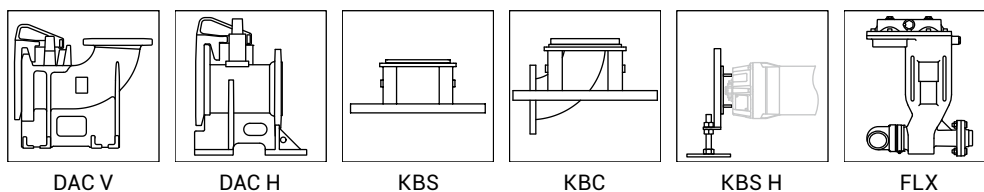
Start

Efficiency class

Overall dimensions and weight



Available accessories



Performances

Characteristic curves according to UNI EN ISO 9906:2012

Hydraulics

Open channel impeller

Free passage:

Discharge:

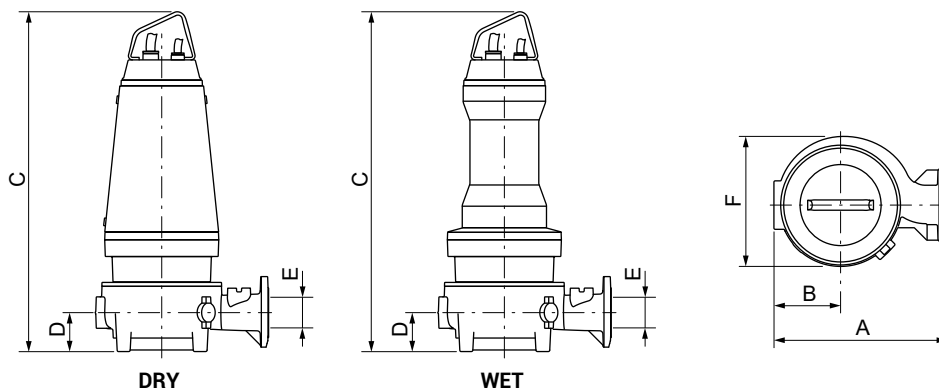
Suction:

Motor (standard configuration)

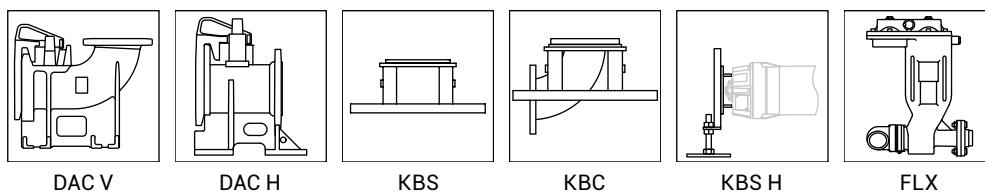
Type	Start	Efficiency class
------	-------	------------------



Overall dimensions and weight



Available accessories



Performances

Characteristic curves according to UNI EN ISO 9906:2012

Hydraulics

Open channel impeller

Free passage:

Discharge:

Suction:

Motor (standard configuration)

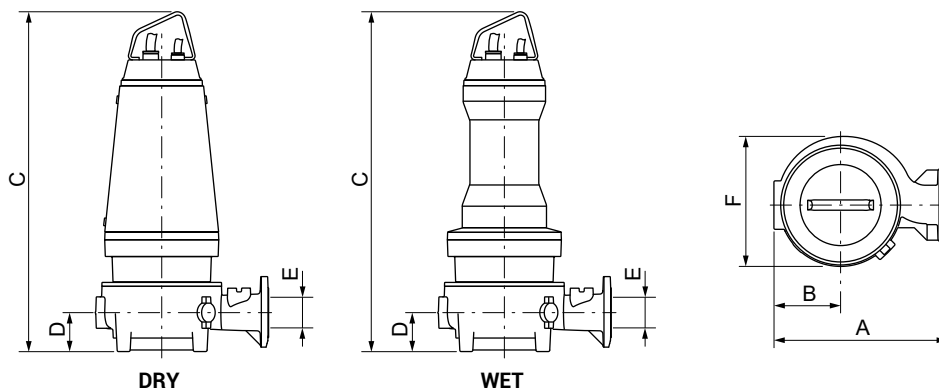


Type

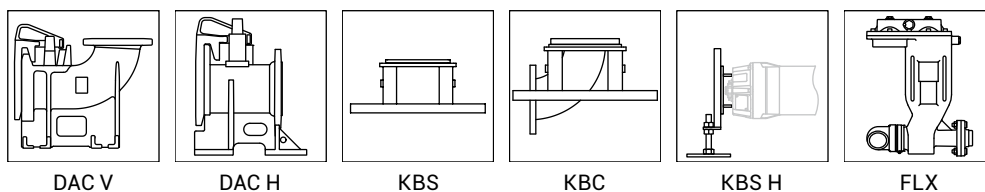
Start

Efficiency class

Overall dimensions and weight



Available accessories



Performances

Characteristic curves according to UNI EN ISO 9906:2012

Hydraulics

Open channel impeller

Free passage:

Discharge:

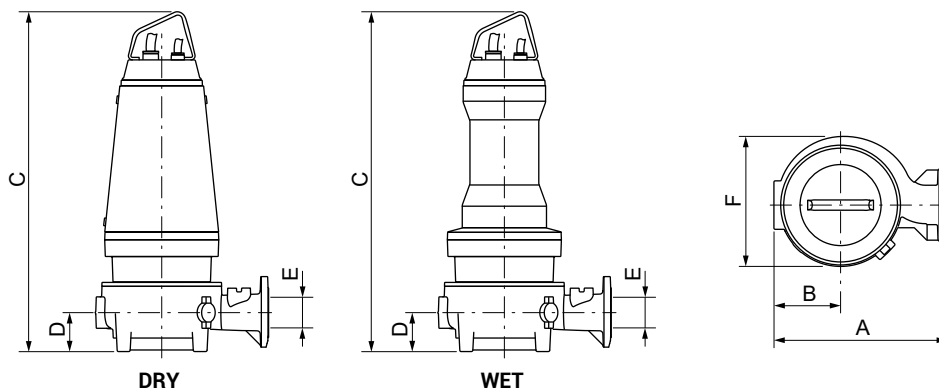
Suction:

Motor (standard configuration)

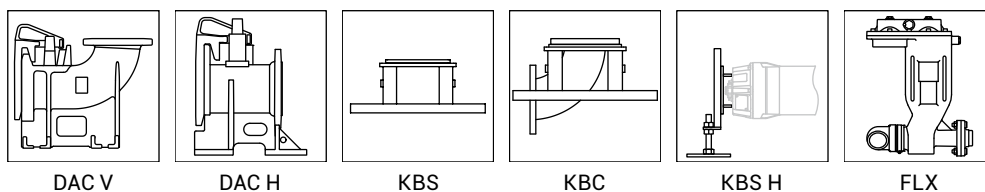
Type	Start	Efficiency class
------	-------	------------------



Overall dimensions and weight



Available accessories



Performances

Characteristic curves according to UNI EN ISO 9906:2012

Hydraulics

Open channel impeller

Free passage:

Discharge:

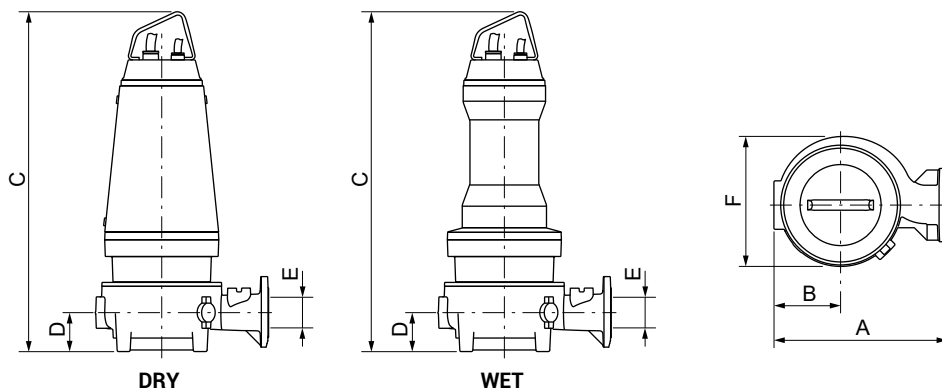
Suction:

Motor (standard configuration)

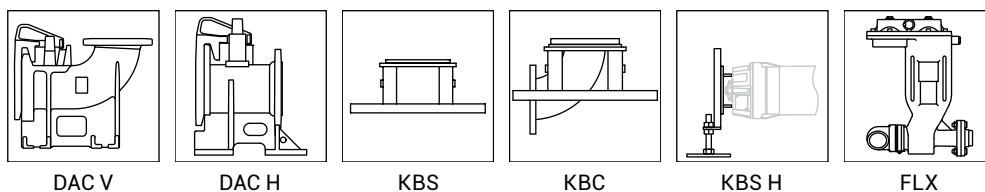
Type	Start	Efficiency class
------	-------	------------------



Overall dimensions and weight



Available accessories



Performances

Characteristic curves according to UNI EN ISO 9906:2012

ZUG OC 150G - 6p

4 ÷ 11 kW - 6 poles

Hydraulics

Open channel impeller

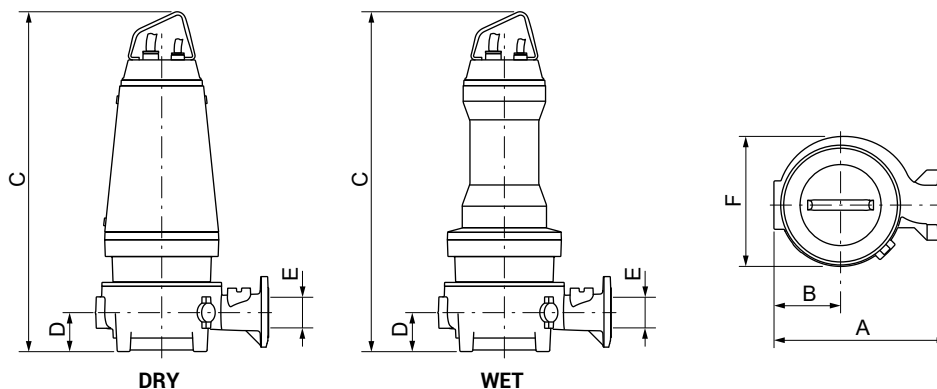
Free passage: 80 mm
 Discharge: DN150 - EN 1092-2
 Suction: DN150



Motor (standard configuration)

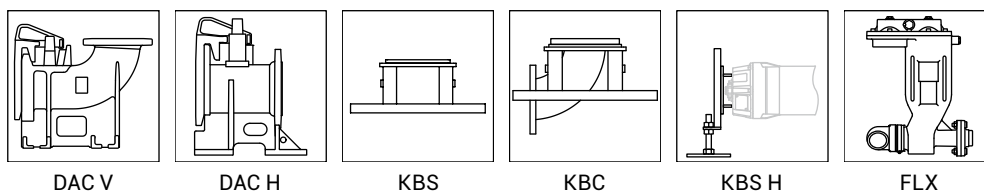
Type	V/~	Start	A	cos φ	P1 (kW)	P2 (kW)	η mot. %	Efficiency class
4/6 A	400-700/3	Y Δ	8.9	0.75	4.6	4.0	86.8	IE3
5.5/6 A	400-700/3	Y Δ	11.6	0.78	6.3	5.5	88.0	IE3
7.5/6 A	400-700/3	Y Δ	16.2	0.75	8.4	7.5	89.1	IE3
9/6 A	400-700/3	Y Δ	19.8	0.73	10.0	9.0	89.7	IE3
11/6 A	400-700/3	Y Δ	22.7	0.78	12.2	11.0	90.2	IE3

Overall dimensions and weight



	A mm	B mm	C mm		D mm	E mm	F mm	Kg	
			WET	DRY				WET	DRY (+)
ZUG OC 150G 4/6 AW (D)	605	240	1045	1045	120	150	470	241.7	271.7
ZUG OC 150G 5.5/6 AW (D)	605	240	1140	1140	120	150	470	256.7	291.7
ZUG OC 150G 7.5/6 AW (D)	605	240	1190	1190	120	150	570	284.7	331.7
ZUG OC 150G 9/6 AW (D)	605	240	1190	1190	120	150	570	292.4	339.4
ZUG OC 150G 11/6 AW (D)	605	240	1190	1190	120	150	570	302.7	349.7

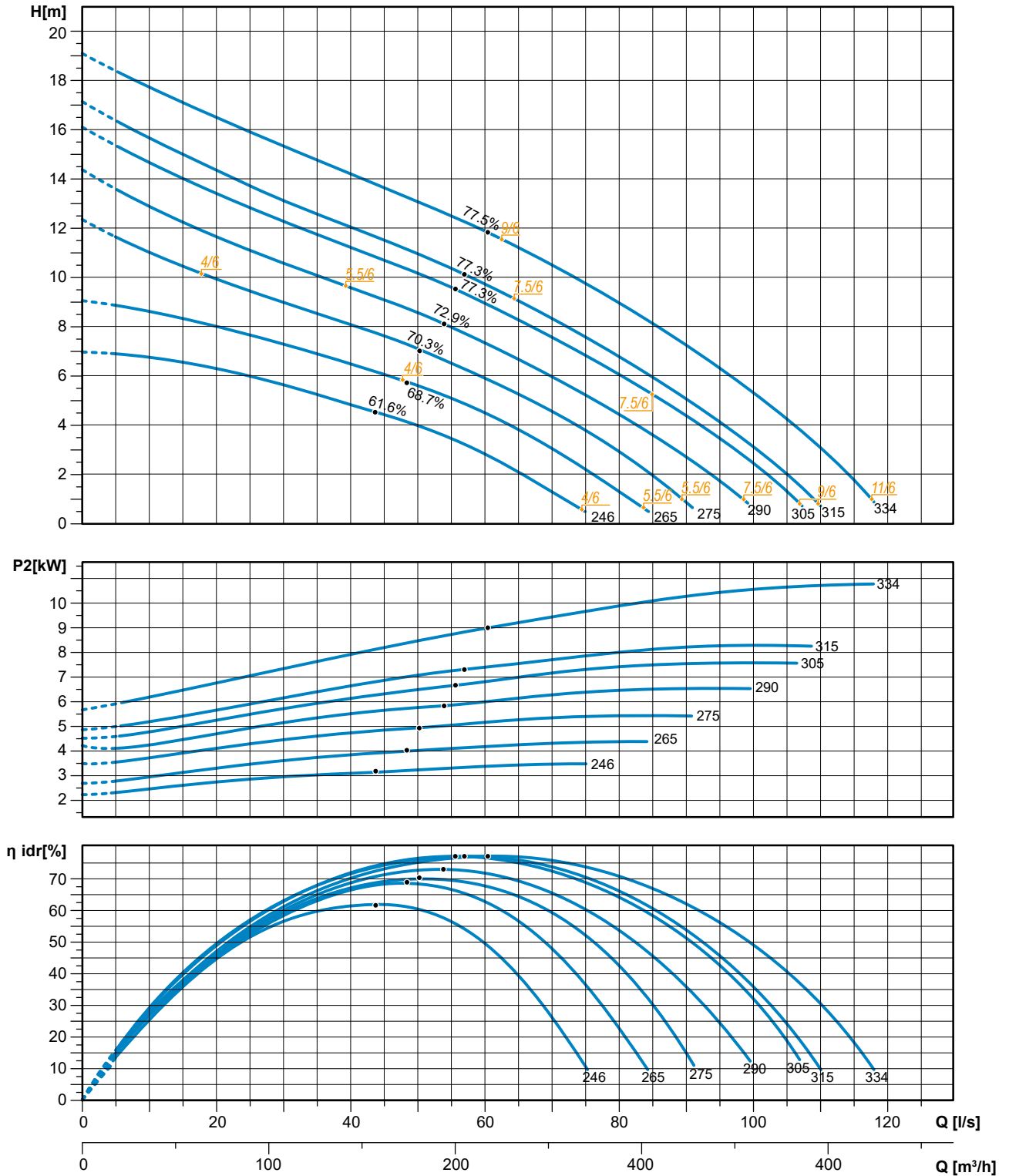
Available accessories



The data provided are not binding. Zenit reserves the right to modify any product without notice.

ZUG OC 150G - 6p

Performances



Characteristic curves according to UNI EN ISO 9906:2012

ZUG OC 150N

4 ÷ 11 kW - 4 poles

Hydraulics

Open channel impeller

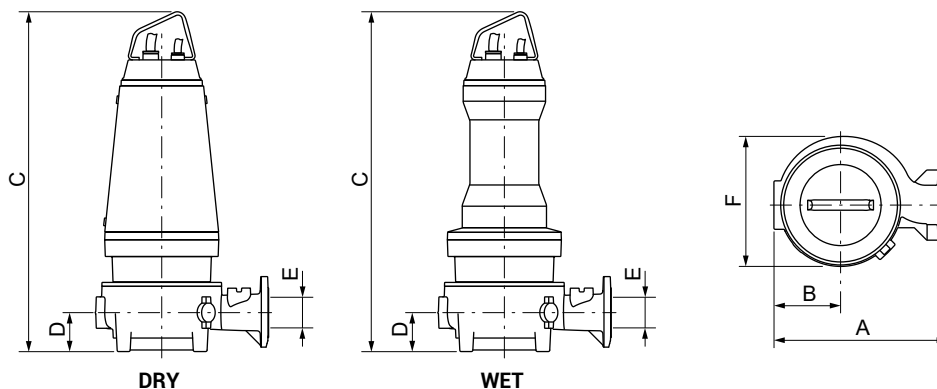
Free passage: 65 x 60 mm
 Discharge: DN150 - EN 1092-2
 Suction: DN150



Motor (standard configuration)

Type	V/~	Start	A	cos φ	P1 (kW)	P2 (kW)	η mot. %	Efficiency class
4/4 A	400/3	DOL	8.4	0.77	4.5	4.0	88.7	IE3
5.5/4 A	400/3	DOL	11.7	0.76	6.1	5.5	89.6	IE3
7.5/4 A	400-700/3	Y Δ	14.5	0.83	8.3	7.5	90.4	IE3
9/4 A	400-700/3	Y Δ	18.3	0.78	9.9	9.0	90.8	IE3
11/4 A	400-700/3	Y Δ	21.3	0.81	12.0	11.0	91.4	IE3

Overall dimensions and weight

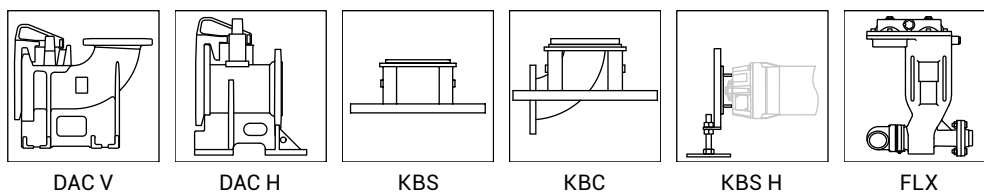


	A mm	B mm	C mm		D mm	E mm	F mm	Kg	
			WET	DRY				WET	DRY (+)
ZUG OC 150N 4/4 AW (D)	612	222	955	1032	130	150	448	197.0	282.0
ZUG OC 150N 5.5/4 AW (D)	612	222	955	1032	130	150	448	200.0	286.0
ZUG OC 150N 7.5/4 AW (D)	612	222	1032	1032	130	150	448	249.0	284.3
ZUG OC 150N 9/4 AW (D)	612	222	1122	1122	130	150	448	270.3	303.3
ZUG OC 150N 11/4 AW (D)	612	222	1175	1175	130	150	448	321.5	368.5

(+) Weight for the DRY version includes cooling fluid

W: WET version (submerged operation - S1 duty type) / **D: DRY version** (dry operation - S1 duty type)

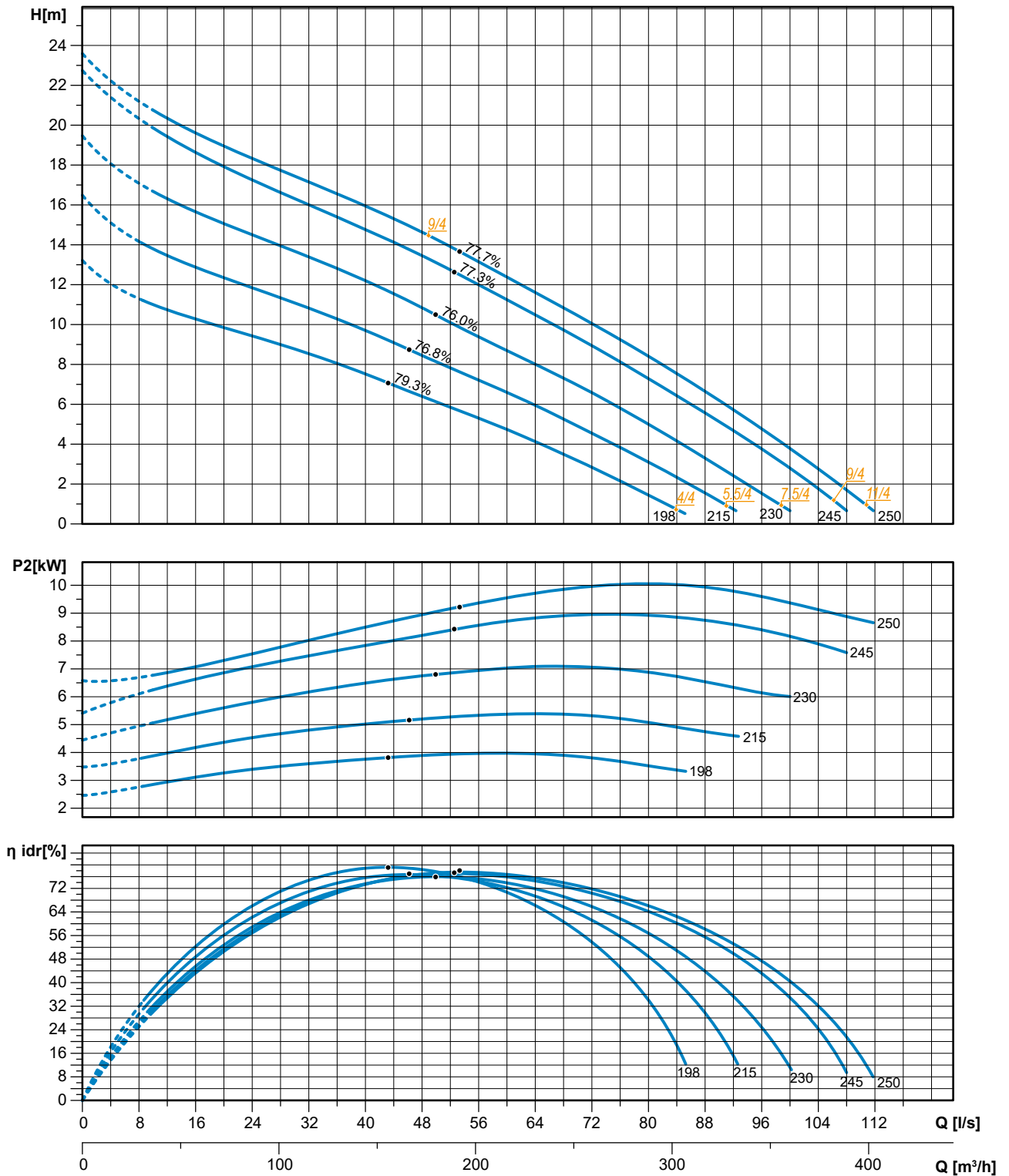
Available accessories



The data provided are not binding. Zenit reserves the right to modify any product without notice.

ZUG OC 150N

Performances



Characteristic curves according to UNI EN ISO 9906:2012

ZUG OC 150R

1.5 ÷ 1.8 kW - 6 poles

Hydraulics

Open channel impeller

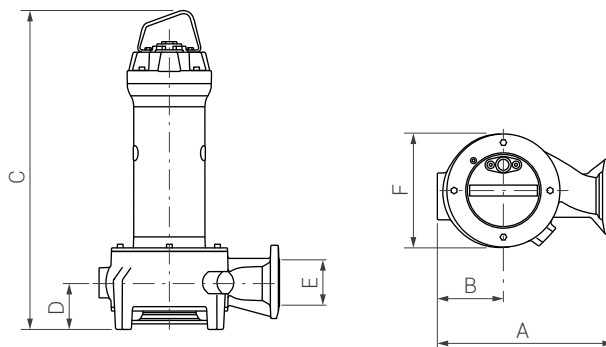
Free passage: 100 mm
 Discharge: DN150 - EN 1092-2
 Suction: DN100



Motor (standard configuration)

Type	V/~	Start	A	cos φ	P1 (kW)	P2 (kW)	η mot. %	Efficiency class
1.5/6 B	400/3	DOL	3.7	0.70	1.82	1.5	82.5	IE3
1.8/6 B	400/3	DOL	4.3	0.72	2.2	1.8	83.4	IE3

Overall dimensions and weight

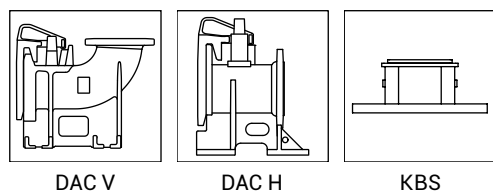


	A mm	B mm	C mm		D mm	E mm	F mm	Kg	
			WET	DRY				WET	DRY (*)
ZUG OC150R 1.5/6 BW	506	202	740	-	114	150	394	99	-
ZUG OC150R 1.8/6 BW	506	202	813	-	114	150	394	124	-

(*) Weight for the DRY version includes cooling fluid

W: WET version (submerged operation - S1 duty type) / **D: DRY version** (dry operation - S1 duty type)

Available accessories



DAC V

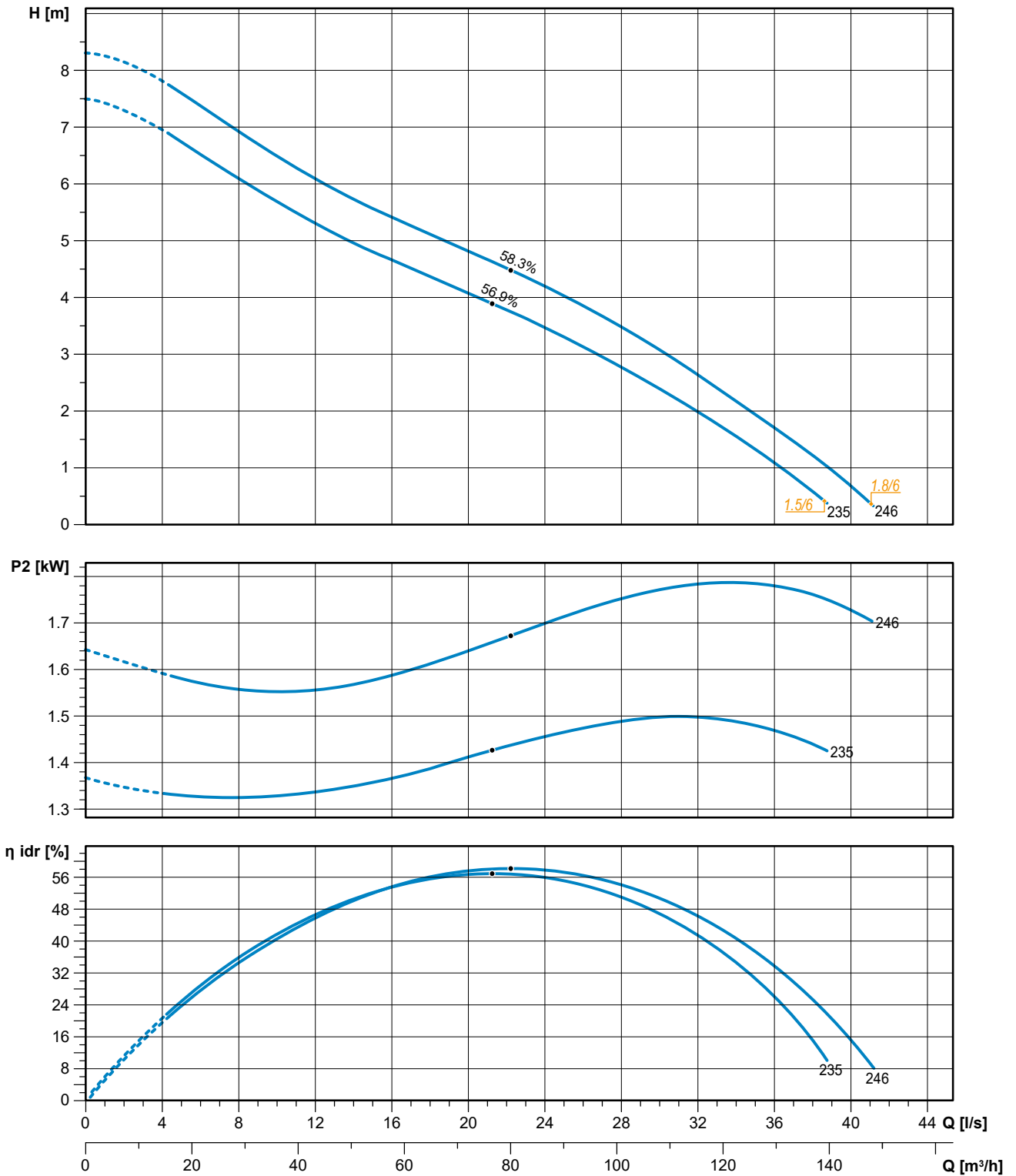
DAC H

KBS

The data provided are not binding. Zenit reserves the right to modify any product without notice.

ZUG OC 150R

Performances



Characteristic curves according to UNI EN ISO 9906:2012

ZUG OC 200A

7.5 ÷ 13 kW - 6 poles

Hydraulics

Open channel impeller

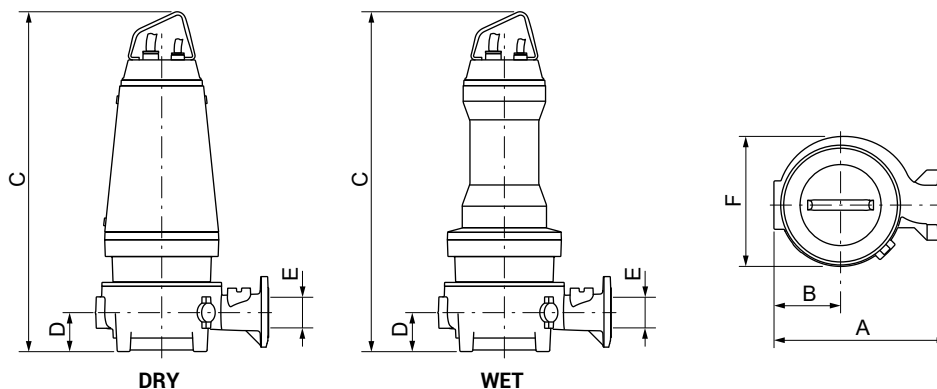
Free passage: 100x70 mm
 Discharge: DN200 - EN 1092-2
 Suction: DN250



Motor (standard configuration)

Type	V/~	Start	A	cos φ	P1 (kW)	P2 (kW)	η mot. %	Efficiency class
7.5/6 A	400-700/3	Y Δ	16.2	0.75	8.4	7.5	89.1	IE3
9/6 A	400-700/3	Y Δ	19.8	0.73	10.0	9.0	89.7	IE3
11/6 A	400-700/3	Y Δ	22.7	0.78	12.2	11.0	90.2	IE3
13/6 H	400-700/3	Y Δ	25.9	0.81	14.6	13.0	89.2	IE2

Overall dimensions and weight

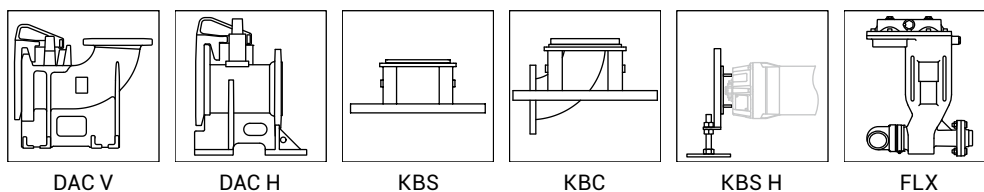


	A	B	C mm		D	E	F	Kg	
	mm	mm	WET	DRY	mm	mm	mm	WET	DRY (*)
ZUG OC 200A 7.5/6 AW (D)	692	273	1265	1265	203	200	539	356.8	403.8
ZUG OC 200A 9/6 AW (D)	692	273	1265	1265	203	200	539	364.5	411.5
ZUG OC 200A 11/6 AW (D)	692	273	1265	1265	203	200	539	374.8	421.8
ZUG OC 200A 13/6 HW (D)	692	273	1265	1265	203	200	539	374.8	421.8

(*) Weight for the DRY version includes cooling fluid

W: WET version (submerged operation - S1 duty type) / **D: DRY version** (dry operation - S1 duty type)

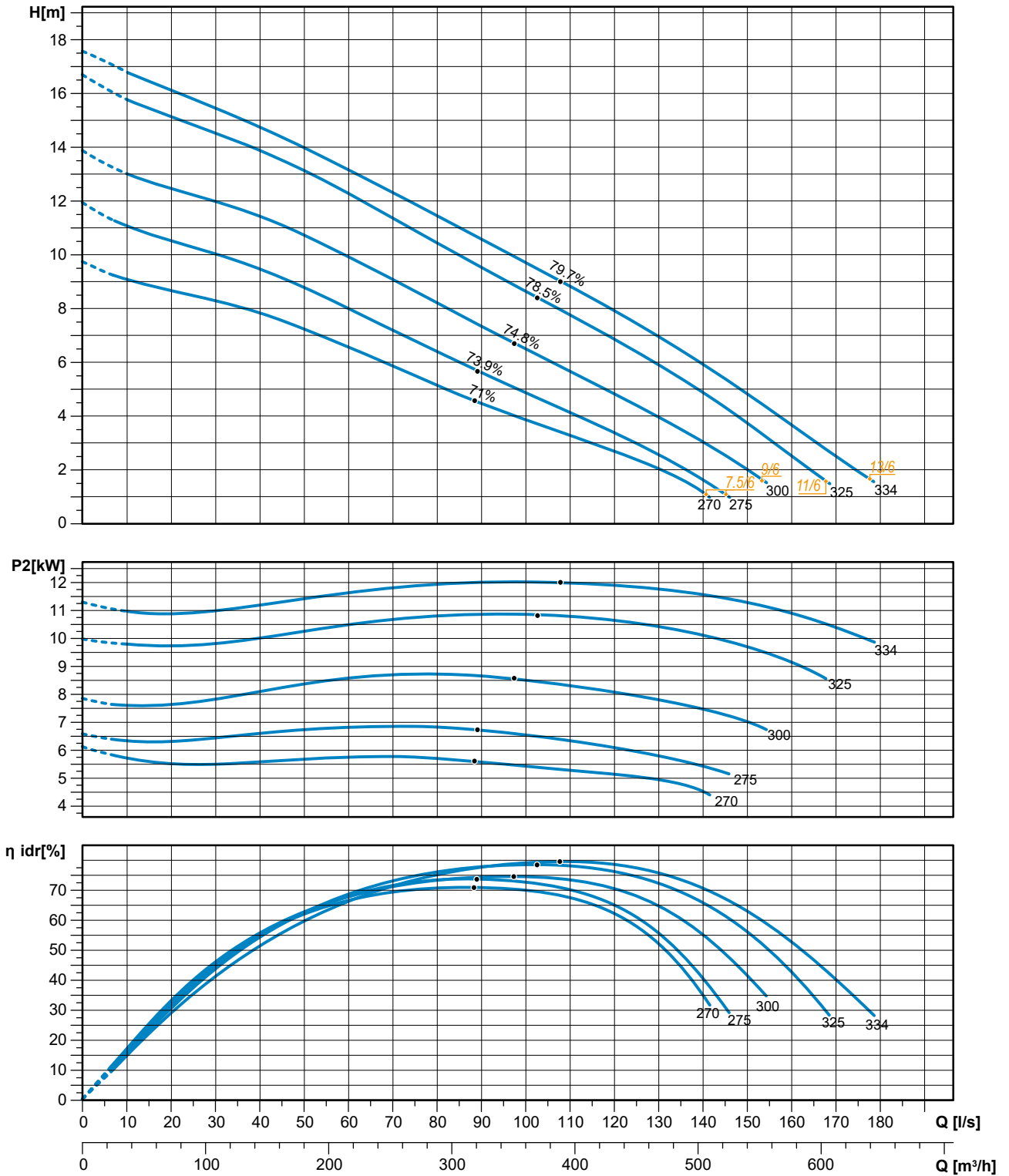
Available accessories



The data provided are not binding. Zenit reserves the right to modify any product without notice.

ZUG OC 200A

Performances



Characteristic curves according to UNI EN ISO 9906:2012

ZUG OC 200B - 4p

11 ÷ 18.5(37) kW - 4 poles

Hydraulics

Open channel impeller

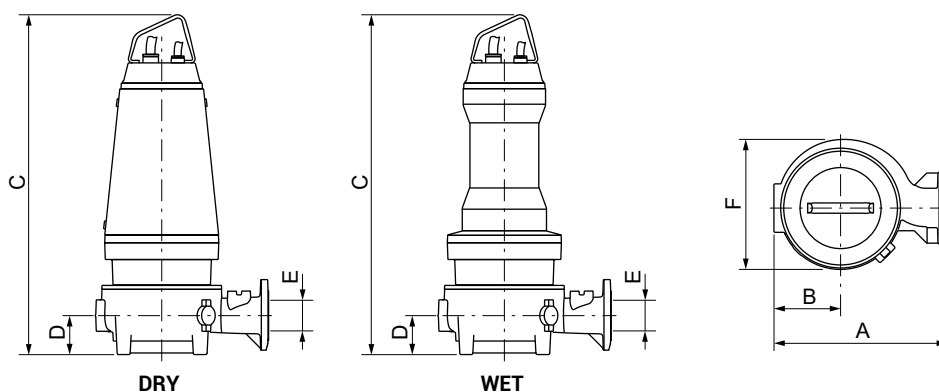
Free passage: 80 mm
 Discharge: DN200 - EN 1092-2
 Suction: DN200



Motor (standard configuration)

Type	V/~	Start	A	cos φ	P1 (kW)	P2 (kW)	η mot. %	Efficiency class
11/4 A	400-700/3	Y Δ	21.3	0.81	12.0	11.0	91.4	IE3
15/4 A	400-700/3	Y Δ	28.2	0.84	16.3	15.0	91.9	IE3
18.5/4 A	400-700/3	Y Δ	35.2	0.82	20.0	18.5	92.6	IE3

Overall dimensions and weight

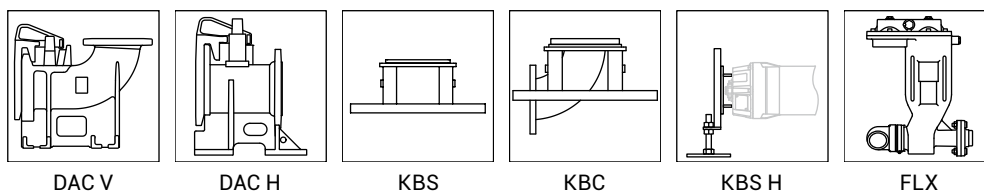


	A mm	B mm	C mm		D mm	E mm	F mm	Kg	
			WET	DRY				WET	DRY (+)
ZUG OC 200B 11/4 AW (D)	692	273	1233	1233	172	200	540	352.1	399.1
ZUG OC 200B 15/4 AW (D)	692	273	1233	1233	172	200	540	365.8	412.8
ZUG OC 200B 18.5/4 AW (D)	692	273	1416	1416	172	200	540	450.4	503.4

(*) Weight for the DRY version includes cooling fluid

W: WET version (submerged operation - S1 duty type) / **D: DRY version** (dry operation - S1 duty type)

Available accessories

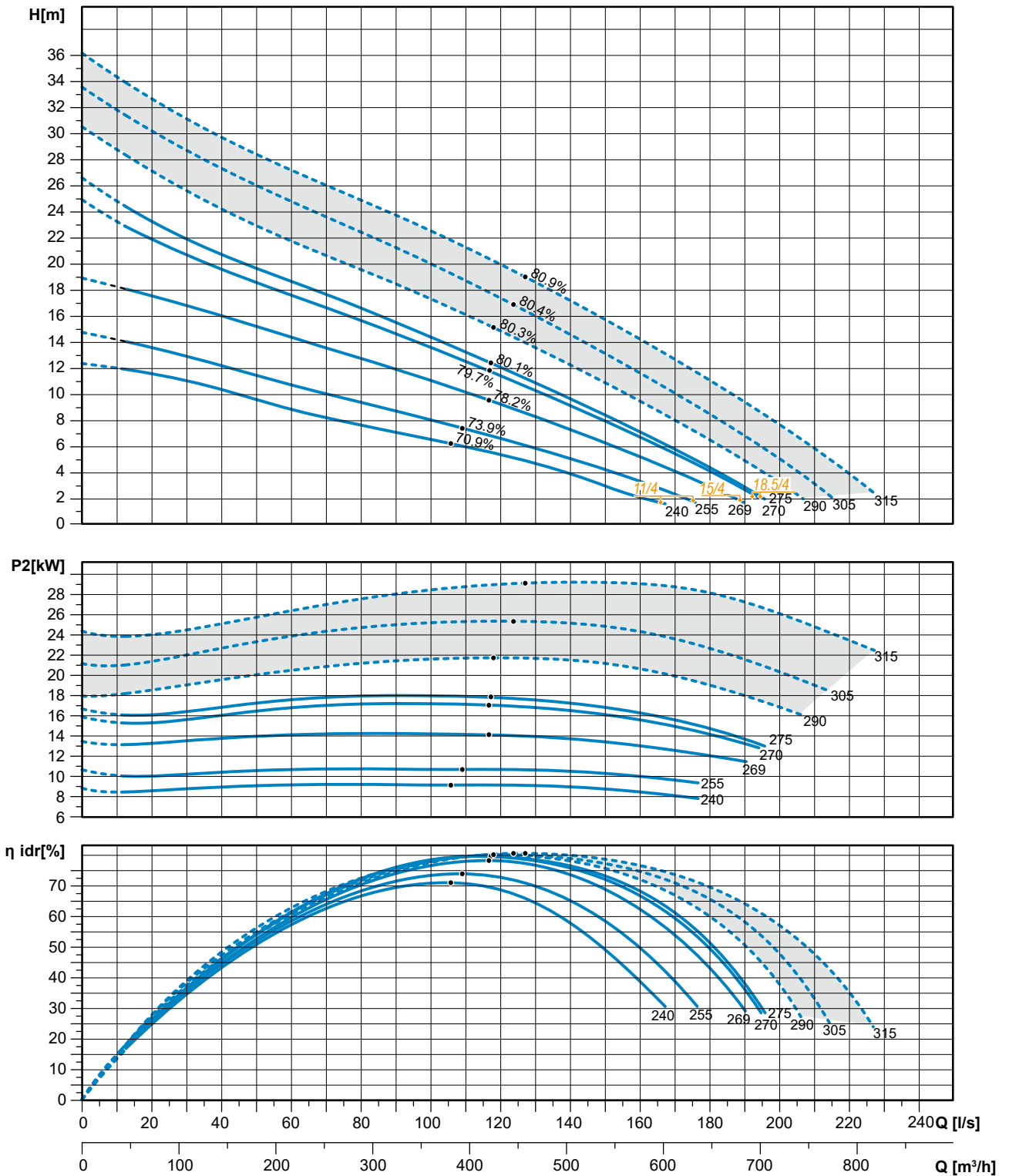


The data provided are not binding. Zenit reserves the right to modify any product without notice.

ZUG OC 200B - 4p

Performances

Contact Zenit



Characteristic curves according to UNI EN ISO 9906:2012

ZUG OC 200B - 6p

7.5 ÷ 11 kW - 6 poles

Hydraulics

Open channel impeller

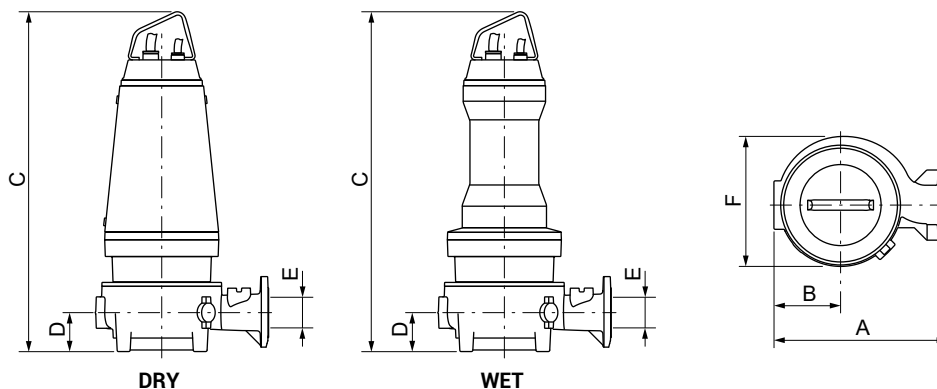
Free passage: 80 mm
 Discharge: DN200 - EN 1092-2
 Suction: DN200



Motor (standard configuration)

Type	V/~	Start	A	cos φ	P1 (kW)	P2 (kW)	η mot. %	Efficiency class
7.5/6 A	400-700/3	Y Δ	16.2	075	8.4	7.5	89.1	IE3
9/6 A	400-700/3	Y Δ	19.8	0.73	10.0	9.0	89.7	IE3
11/6 A	400-700/3	Y Δ	22.7	0.78	12.3	11.0	90.2	IE3

Overall dimensions and weight

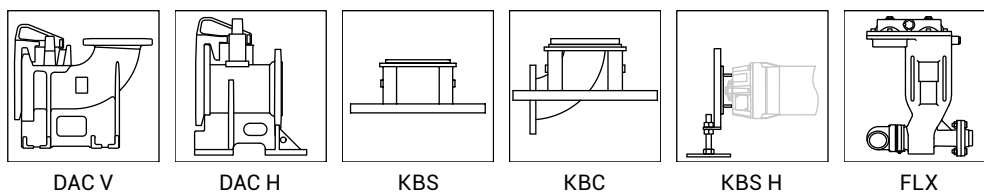


	A mm	B mm	C mm		D mm	E mm	F mm	Kg	
			WET	DRY				WET	DRY (+)
ZUG OC 200B 7.5/6 AW (D)	692	273	1233	1233	172	200	540	319.6	366.6
ZUG OC 200B 9/6 AW (D)	692	273	1233	1233	172	200	540	327.3	374.3
ZUG OC 200B 11/6 AW (D)	692	273	1233	1233	172	200	540	343	390

(*) Weight for the DRY version includes cooling fluid

W: WET version (submerged operation - S1 duty type) / **D: DRY version** (dry operation - S1 duty type)

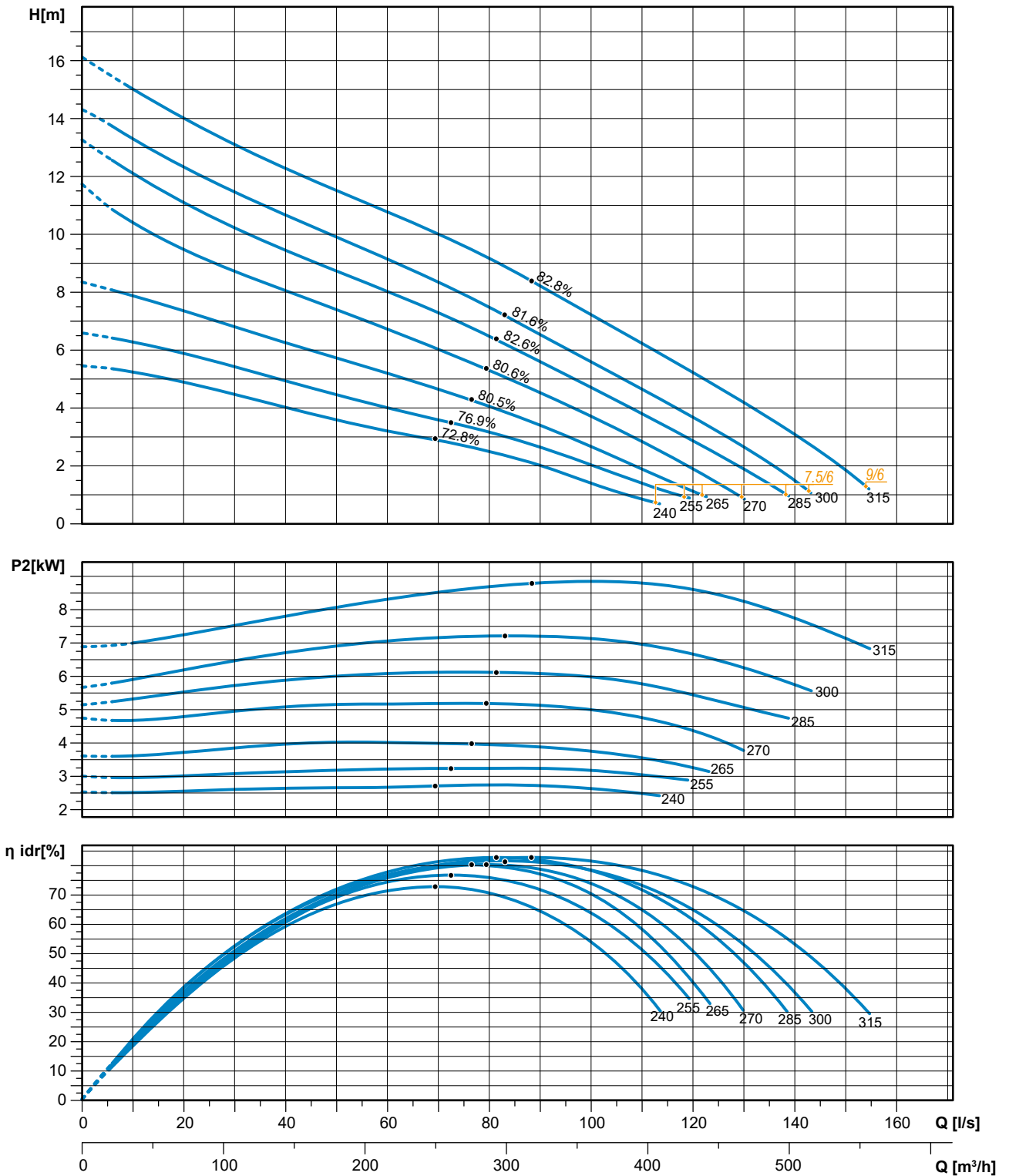
Available accessories



The data provided are not binding. Zenit reserves the right to modify any product without notice.

ZUG OC 200B - 6p

Performances



Characteristic curves according to UNI EN ISO 9906:2012

ZUG OC 250C

7.5 ÷ 13 kW - 6 poles

Hydraulics

Open channel impeller

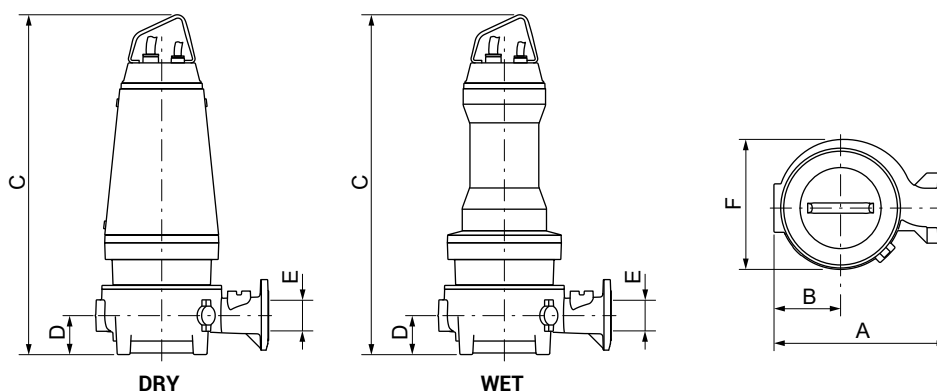
Free passage: 100x70 mm
 Discharge: DN250 - EN 1092-2
 Suction: DN250



Motor (standard configuration)

Type	V/~	Start	A	cos φ	P1 (kW)	P2 (kW)	η mot. %	Efficiency class
7.5/6 A	400-700/3	Y Δ	16.2	0.75	8.4	7.5	89.1	IE3
9/6 A	400-700/3	Y Δ	19.8	0.73	10.0	9.0	89.7	IE3
11/6 A	400-700/3	Y Δ	22.7	0.78	12.2	11.0	90.2	IE3
13/6 H	400-700/3	Y Δ	25.9	0.81	14.6	13.0	89.2	IE2

Overall dimensions and weight

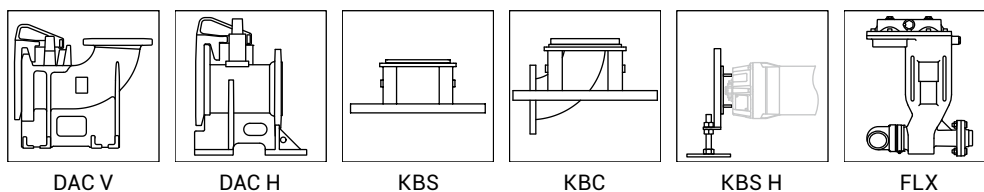


	A mm	B mm	C mm		D mm	E mm	F mm	Kg	
			WET	DRY				WET	DRY (*)
ZUG OC 250C 7.5/6 AW (D)	810	335	1265	1265	205	250	610	382.3	429.3
ZUG OC 250C 9/6 AW (D)	810	335	1265	1265	205	250	610	390	437
ZUG OC 250C 11/6 AW (D)	810	335	1265	1265	205	250	610	400.3	447.3
ZUG OC 250C 13/6 HW (D)	810	335	1265	1265	205	250	610	400.3	447.3

(*) Weight for the DRY version includes cooling fluid

W: WET version (submerged operation - S1 duty type) / **D: DRY version** (dry operation - S1 duty type)

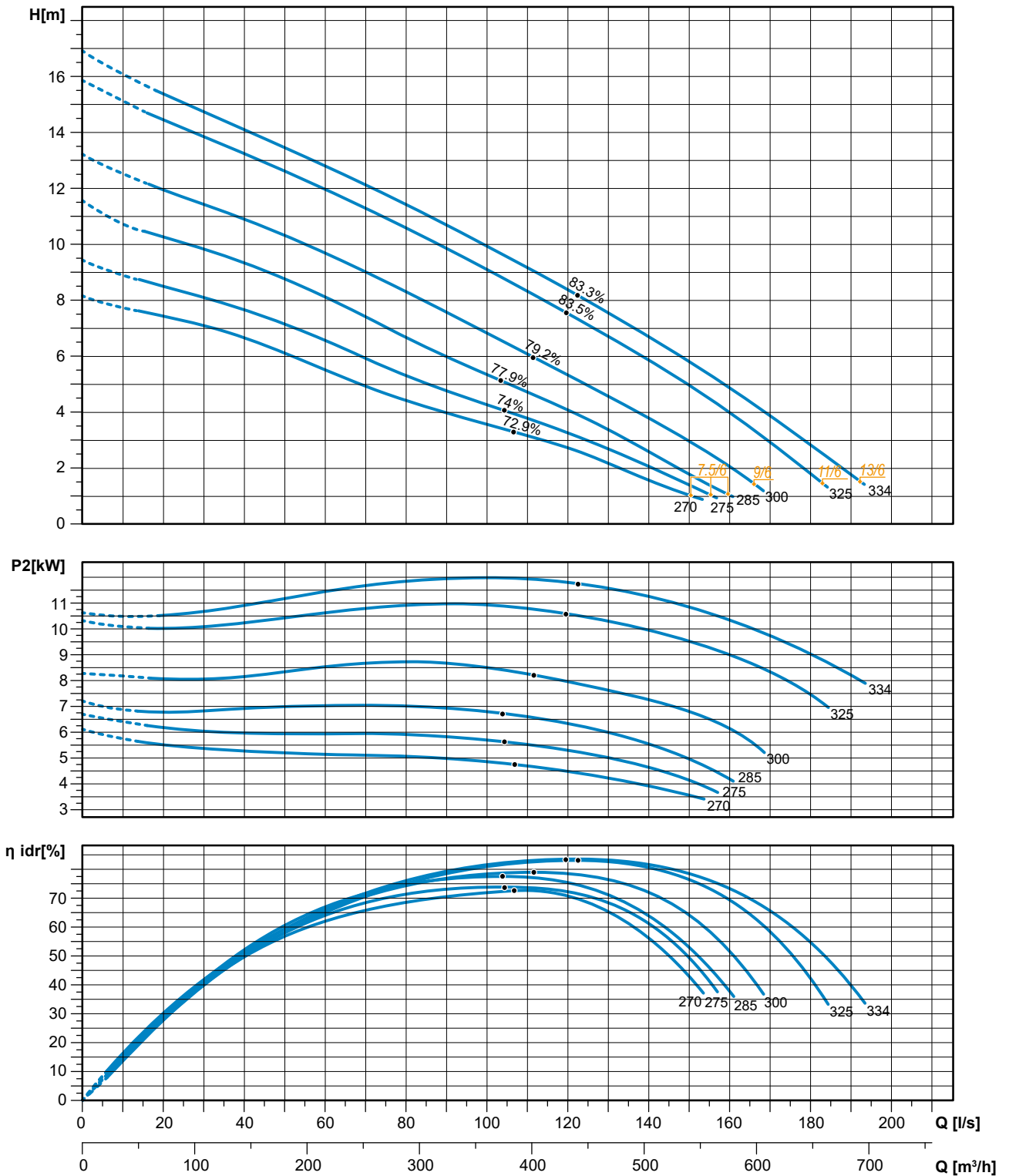
Available accessories



The data provided are not binding. Zenit reserves the right to modify any product without notice.

ZUG OC 250C

Performances



Characteristic curves according to UNI EN ISO 9906:2012

ZUG OC 250H - 4p

11 ÷ 18.5(37) kW - 4 poles

Hydraulics

Open channel impeller

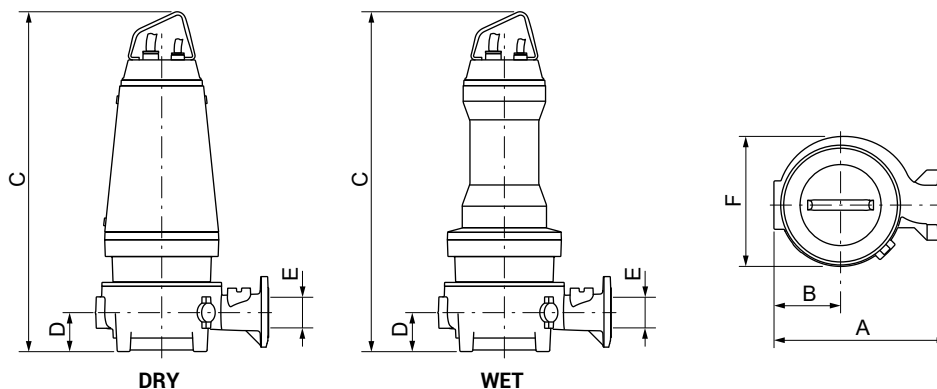
Free passage: 80 mm
 Discharge: DN250 - EN 1092-2
 Suction: DN250



Motor (standard configuration)

Type	V/~	Start	A	cos φ	P1 (kW)	P2 (kW)	η mot. %	Efficiency class
11/4 A	400-700/3	Y Δ	21.3	0.81	12.0	11.0	91.4	IE3
15/4 A	400-700/3	Y Δ	28.2	0.84	16.3	15.0	91.9	IE3
18.5/4 A	400-700/3	Y Δ	35.2	0.82	20.0	18.5	92.6	IE3

Overall dimensions and weight

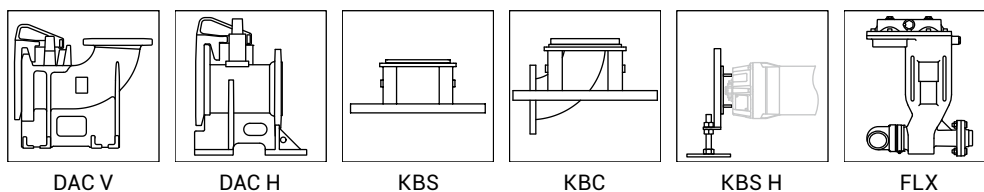


	A mm	B mm	C mm		D mm	E mm	F mm	Kg	
			WET	DRY				WET	DRY (+)
ZUG OC 250H 11/4 AW (D)	810	335	1265	1265	205	250	610	382.6	429.6
ZUG OC 250H 15/4 AW (D)	810	335	1265	1265	205	250	610	396.3	443.3
ZUG OC 250H 18.5/4 AW (D)	810	335	1445	1445	205	250	610	480.9	533.9

(*) Weight for the DRY version includes cooling fluid

W: WET version (submerged operation - S1 duty type) / **D: DRY version** (dry operation - S1 duty type)

Available accessories

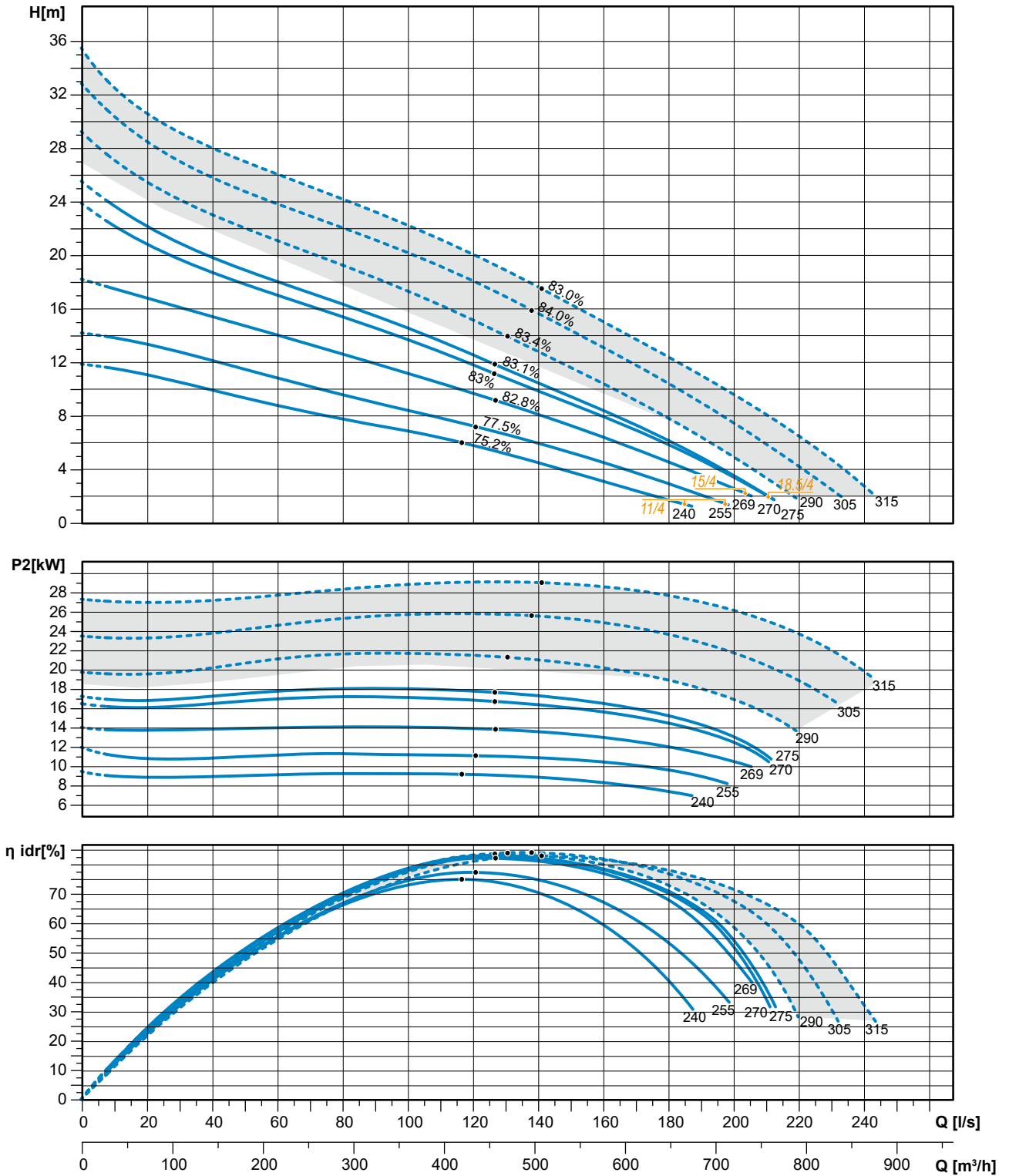


The data provided are not binding. Zenit reserves the right to modify any product without notice.

ZUG OC 250H - 4p

Performances

Contact Zenit



Characteristic curves according to UNI EN ISO 9906:2012

ZUG OC 250H - 6p

7.5 ÷ 11 kW - 6 poles

Hydraulics

Open channel impeller

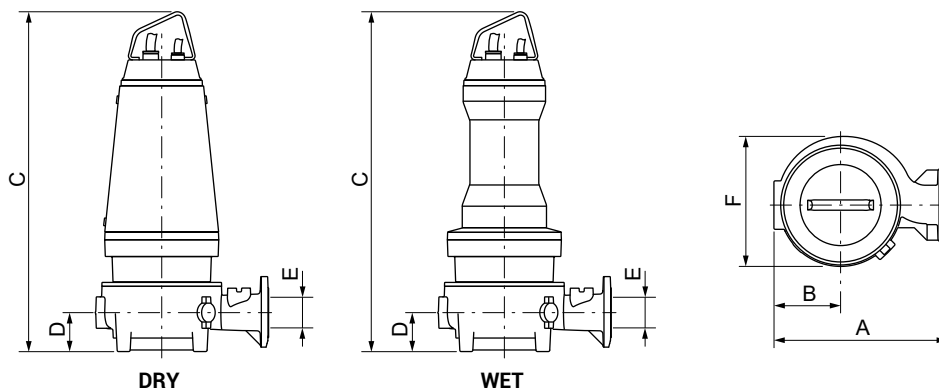
Free passage: 80 mm
 Discharge: DN250 - EN 1092-2
 Suction: DN250



Motor (standard configuration)

Type	V/~	Start	A	cos φ	P1 (kW)	P2 (kW)	η mot. %	Efficiency class
7.5/6 A	400-700/3	Y Δ	16.2	0.75	8.4	7.5	89.1	IE3
9/6 A	400-700/3	Y Δ	19.8	0.73	10.0	9.0	89.7	IE3
11/6 A	400-700/3	Y Δ	22.7	0.78	12.2	11.0	90.2	IE3

Overall dimensions and weight

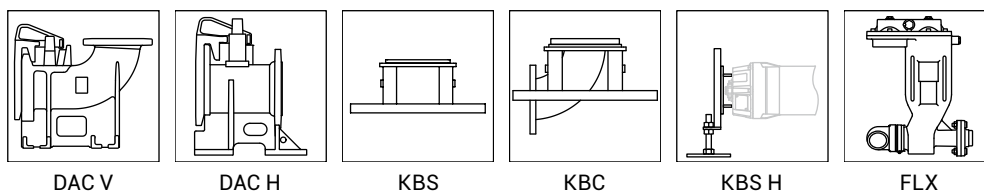


	A mm	B mm	C mm		D mm	E mm	F mm	Kg	
			WET	DRY				WET	DRY (+)
ZUG OC 250H 7.5/6 AW (D)	810	335	1265	1265	205	250	610	350.1	397.1
ZUG OC 250H 9/6 AW (D)	810	335	1265	1265	205	250	610	357.8	404.8
ZUG OC 250H 11/6 AW (D)	810	335	1265	1265	205	250	610	368.1	415.1

(*) Weight for the DRY version includes cooling fluid

W: WET version (submerged operation - S1 duty type) / **D: DRY version** (dry operation - S1 duty type)

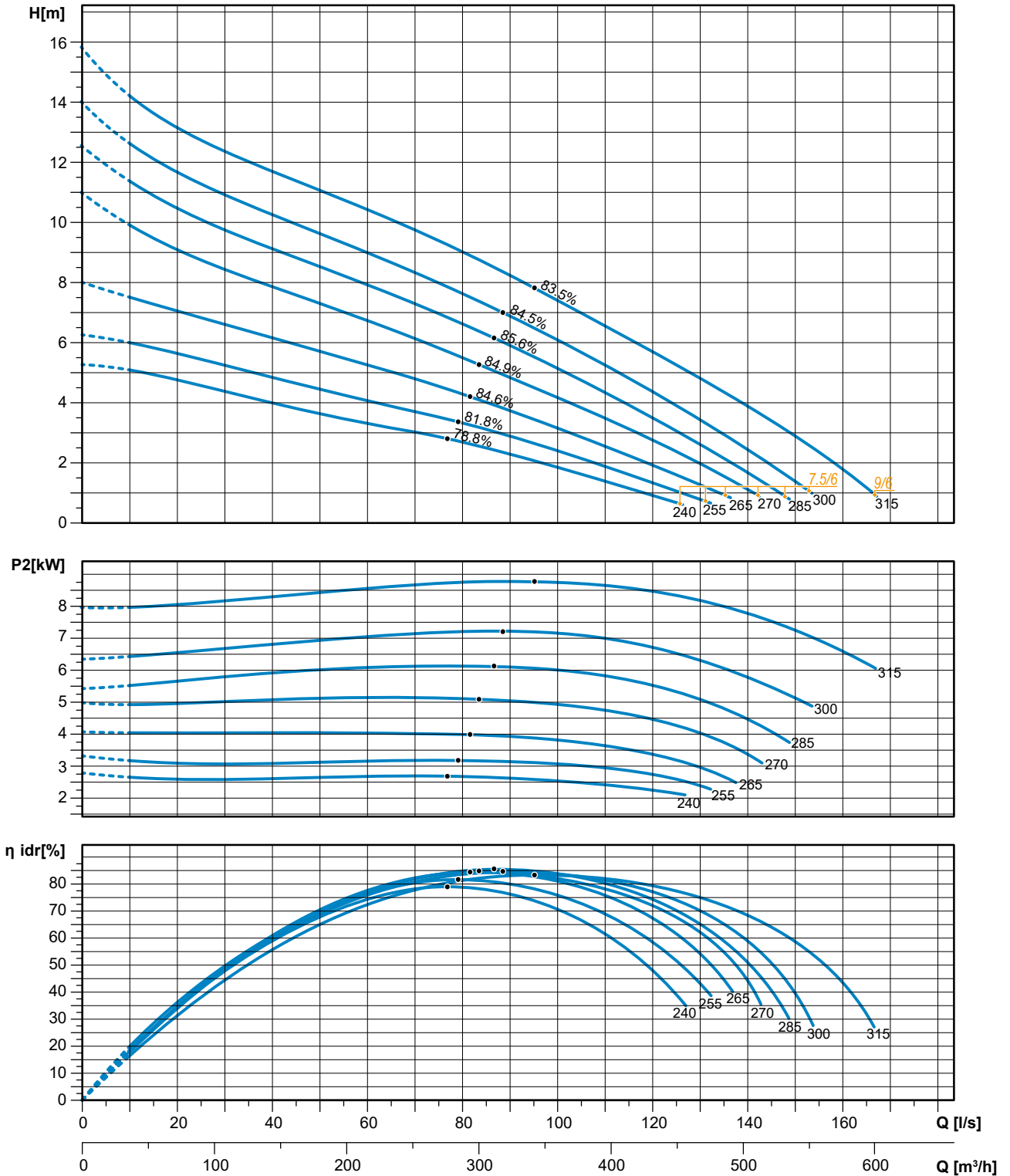
Available accessories



The data provided are not binding. Zenit reserves the right to modify any product without notice.

ZUG OC 250H - 6p

Performances



Characteristic curves according to UNI EN ISO 9906:2012

ZUG OC 250K

11 ÷ 15 kW - 6 poles

Hydraulics

Open channel impeller

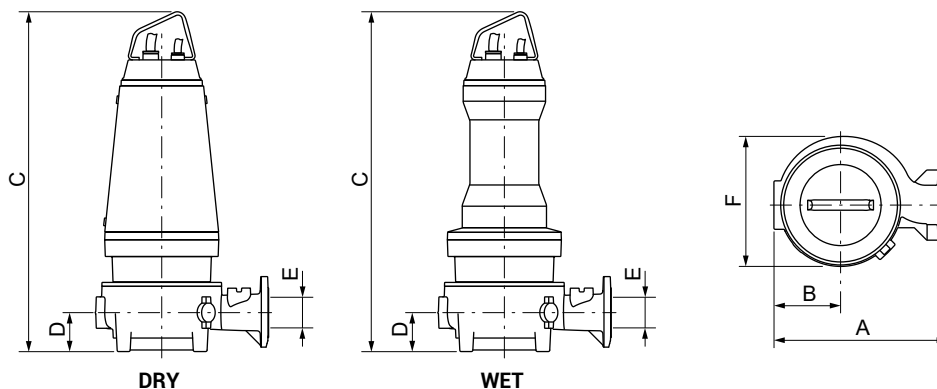
Free passage: 130 mm
 Discharge: DN250 - EN 1092-2
 Suction: DN250



Motor (standard configuration)

Type	V/~	Start	A	cos φ	P1 (kW)	P2 (kW)	η mot. %	Efficiency class
11/6 A	400-700/3	Y Δ	22.7	0.78	12.2	11.0	90.2	IE3
13/6 A	400-700/3	Y Δ	25.9	0.81	14.6	13.0	89.2	IE2
15/6 A	400-700/3	Y Δ	29.7	0.80	16.4	15.0	91.2	IE3

Overall dimensions and weight

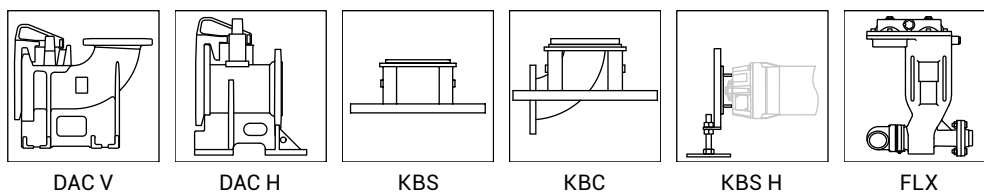


	A mm	B mm	C mm		D mm	E mm	F mm	G mm	H mm	Kg		
			WET	DRY						WET	DRY (*)	
ZUG OC 250K 11/6 AW (D)	808	334	1265	1265	203	250	609	22	350	12	400.3	447.3
ZUG OC 250K 13/6 HW (D)	808	334	1265	1265	203	250	609	22	350	12	400.3	447.3
ZUG OC 250K 15/6 AW (D)	808	334	1448	1448	203	250	609	22	350	12	535.3	588.3

(*) Weight for the DRY version includes cooling fluid

W: WET version (submerged operation - S1 duty type) / **D: DRY version** (dry operation - S1 duty type)

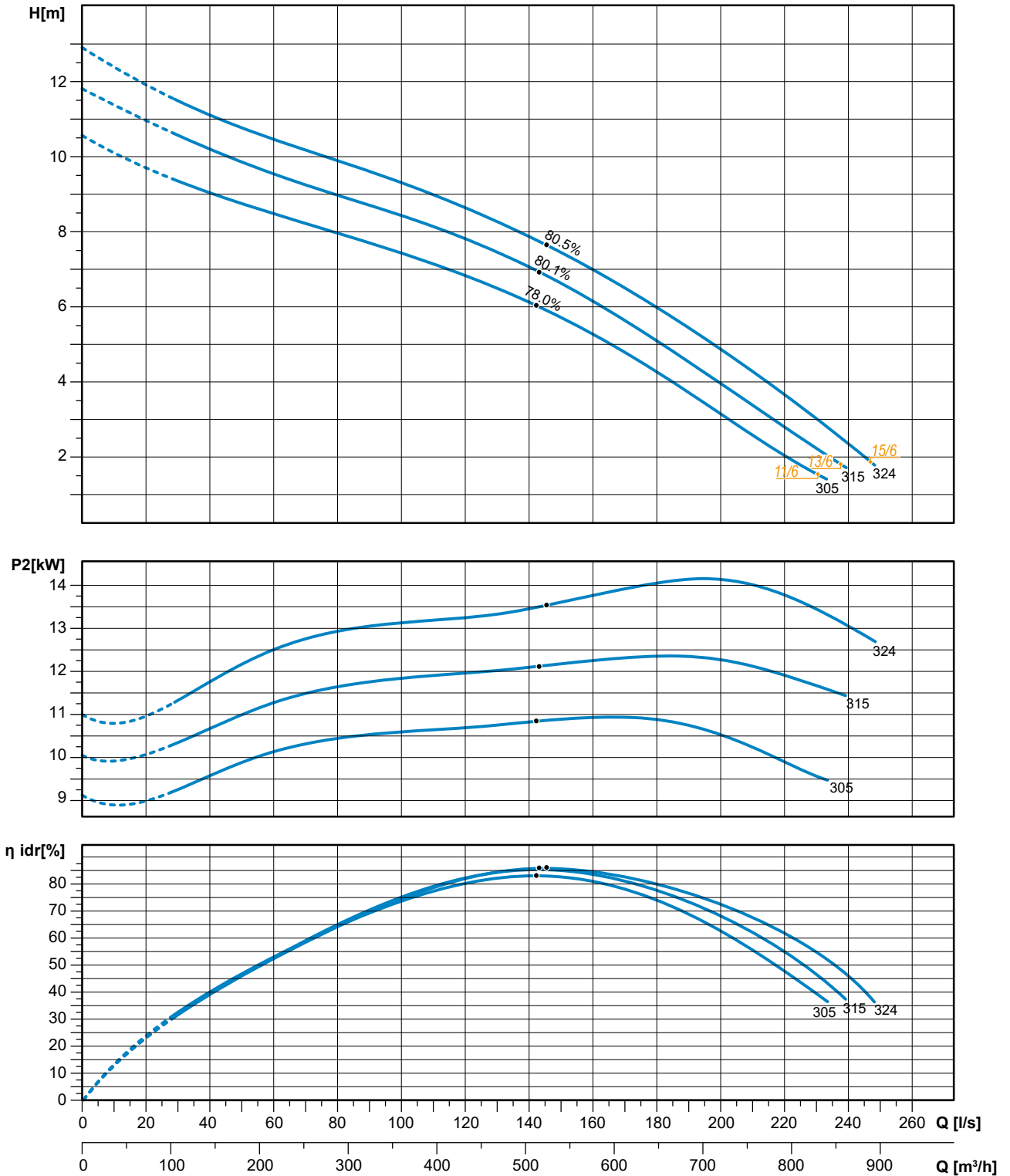
Available accessories



The data provided are not binding. Zenit reserves the right to modify any product without notice.

ZUG OC 250K

Performances



Characteristic curves according to UNI EN ISO 9906:2012

ZUG GR 050A

4 ÷ 9 kW - 2 poles

Hydraulics

Grinder impeller

Free passage: -

Discharge: DN50-G2" - EN 1092-2

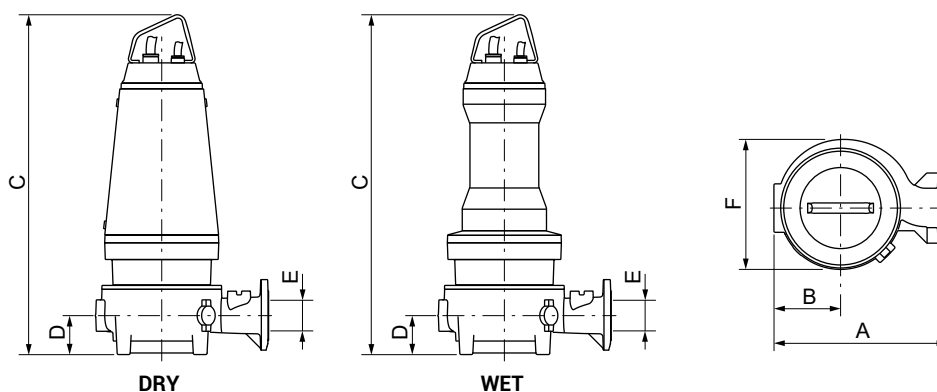
Suction: -



Motor (standard configuration)

Type	V/~	Start	A	cos φ	P1 (kW)	P2 (kW)	η mot. %	Efficiency class
4/2 A	400/3	DOL	7.7	0.85	4.5	4.0	88.2	IE3
5.5/2 A	400/3	DOL	10.2	0.88	6.2	5.5	89.2	IE3
7.5/2 A	400/3	DOL	14.1	0.85	8.3	7.5	90.1	IE3
9/2 A	400/3	DOL	16.6	0.87	9.9	9.0	90.7	IE3

Overall dimensions and weight

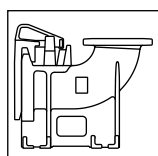


	A mm	B mm	C mm		D mm	E mm	F mm	Kg	
			WET	DRY				WET	DRY (+)
ZUG GR 050A 4/2 AW (D)	362	142	744	844	59	50	284	108.9	124.9
ZUG GR 050A 5.5/2 AW	362	142	744	-	59	50	284	111.9	-
ZUG GR 050A 7.5/2 AW	362	142	844	-	59	50	284	124.9	-
ZUG GR 050A 9/2 AW	362	142	844	-	59	50	284	128.9	-

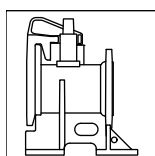
(*) Weight for the DRY version includes cooling fluid

W: WET version (submerged operation - S1 duty type) / D: DRY version (dry operation - S1 duty type)

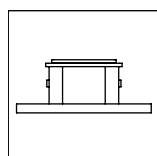
Available accessories



DAC V



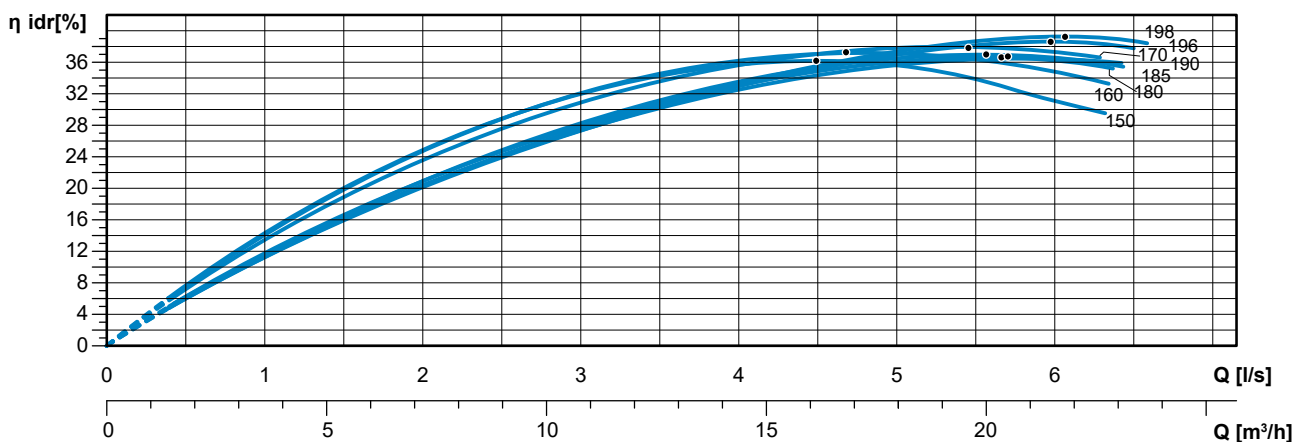
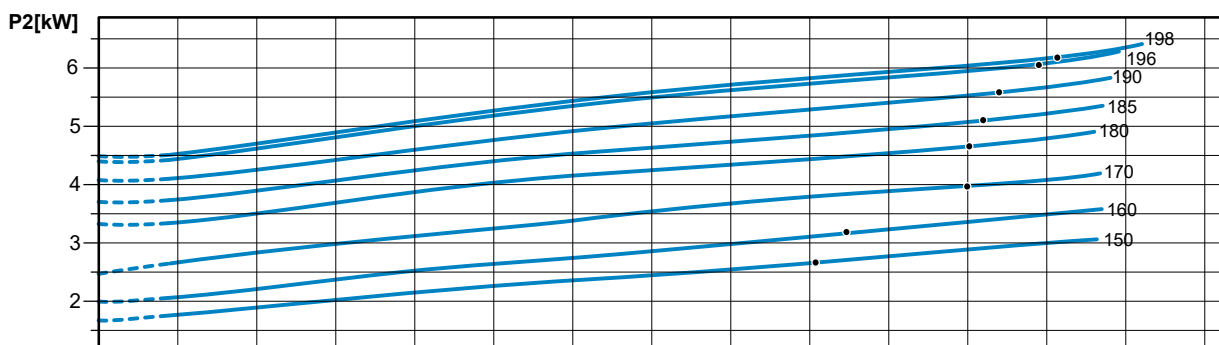
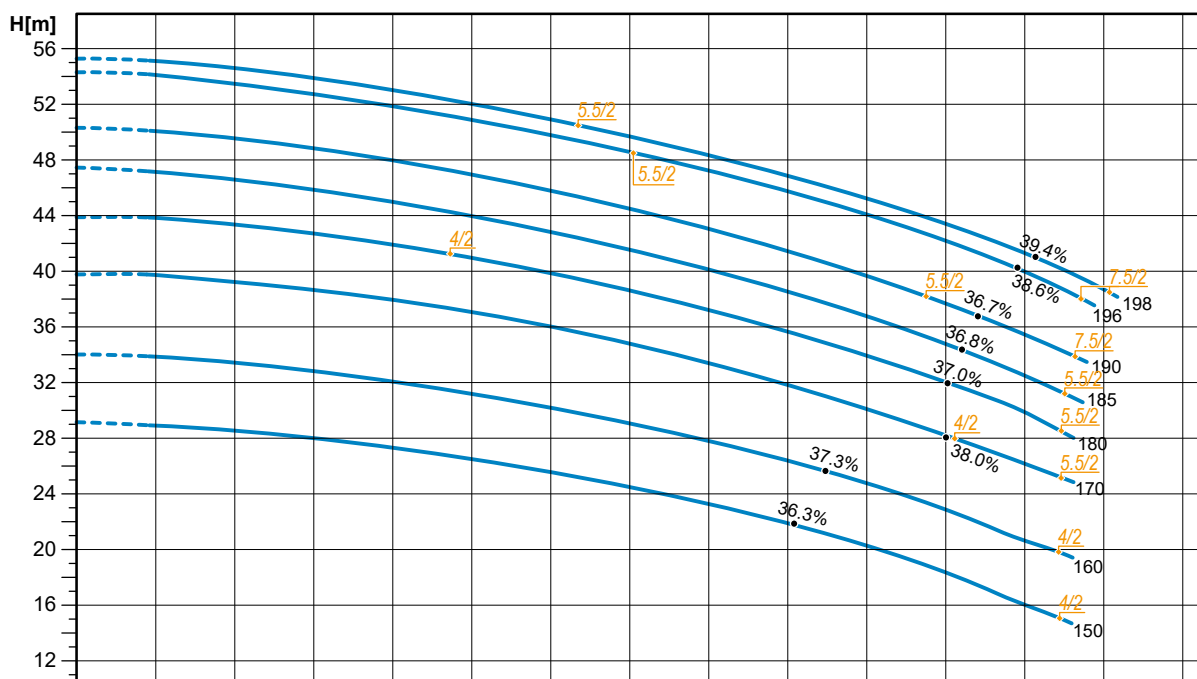
DAC H



KBS

ZUG GR 050A

Performances



Characteristic curves according to UNI EN ISO 9906:2012

ZUG GR 050B

5.5 ÷ 11 kW - 2 poles

Hydraulics

Grinder impeller

Free passage: -

Discharge: DN50-G2" - EN 1092-2

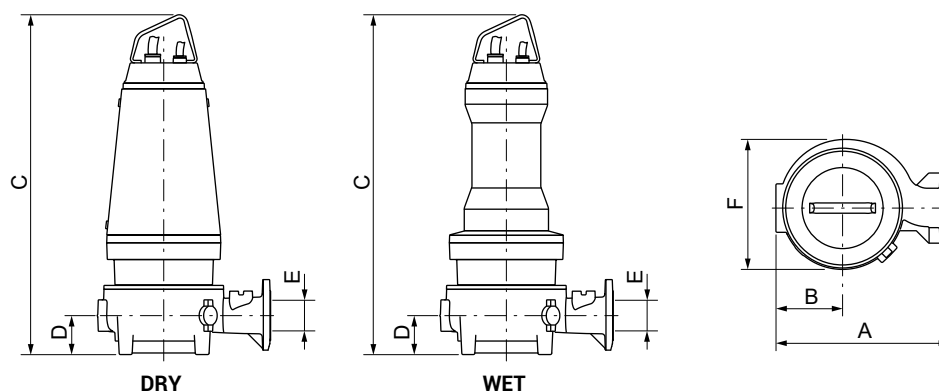
Suction: -



Motor (standard configuration)

Type	V/~	Start	A	cos φ	P1 (kW)	P2 (kW)	η mot. %	Efficiency class
5.5/2 A	400/3	DOL	10.2	0.88	6.2	5.5	89.2	IE3
7.5/2 A	400/3	DOL	14.1	0.85	8.3	7.5	90.1	IE3
9/2 A	400/3	DOL	16.6	0.87	9.9	9.0	90.7	IE3
11/2 A	400/3	DOL	20.0	0.87	12.0	11.0	91.7	IE3

Overall dimensions and weight

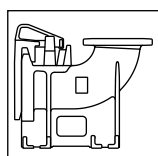


	A mm	B mm	C mm		D mm	E mm	F mm	Kg	
			WET	DRY				WET	DRY (*)
ZUG GR 050B 5.5/2 AW	403	160	765	-	65	50	320	111.9	-
ZUG GR 050B 7.5/2 AW (D)	403	160	865	940	65	50	320	124.9	208.9
ZUG GR 050B 9/2 AW (D)	403	160	865	940	65	50	320	128.9	212.9
ZUG GR 050B 11/2 AW (D)	403	160	865	940	65	50	320	132.9	215.0

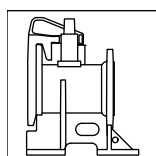
(*) Weight for the DRY version includes cooling fluid

W: WET version (submerged operation - S1 duty type) / D: DRY version (dry operation - S1 duty type)

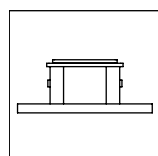
Available accessories



DAC V



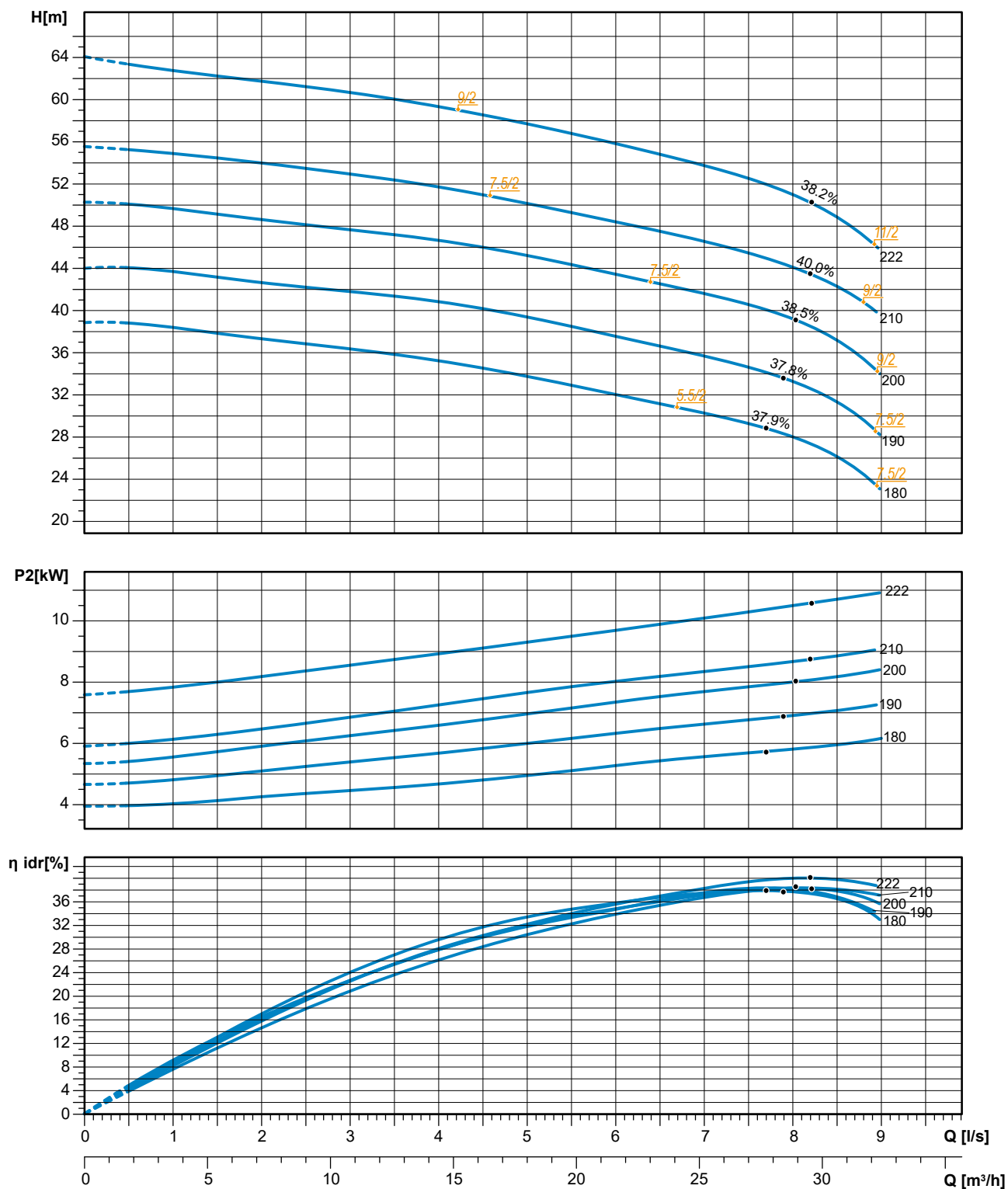
DAC H



KBS

ZUG GR 050B

Performances



Characteristic curves according to UNI EN ISO 9906:2012

ZUG HP 050A

4 ÷ 9 kW - 2 poles

Hydraulics

High head impeller

Free passage: 7.5 mm

Discharge: DN50-G2" - EN 1092-2

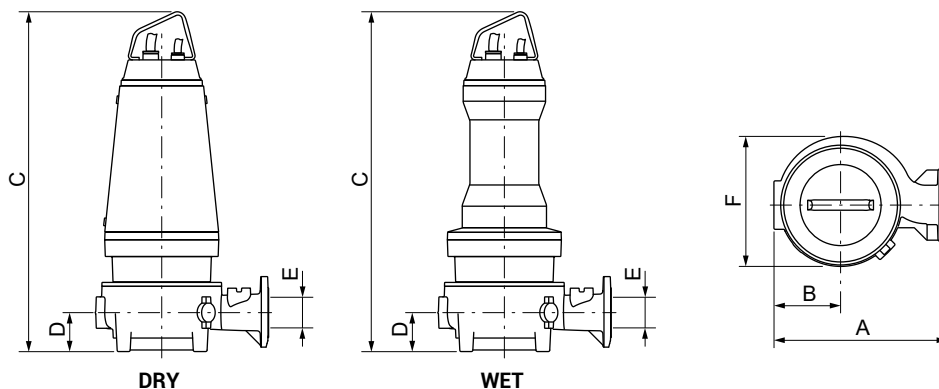
Suction: DN65



Motor (standard configuration)

Type	V/~	Start	A	cos φ	P1 (kW)	P2 (kW)	η mot. %	Efficiency class
4/2 A	400/3	DOL	7.7	0.85	4.5	4.0	88.4	IE3
5.5/2 A	400/3	DOL	10.2	0.87	6.2	5.5	89.2	IE3
7.5/2 A	400/3	DOL	14.1	0.85	8.3	7.5	90.2	IE3
9/2 A	400/3	DOL	16.5	0.87	9.9	9.0	90.6	IE3

Overall dimensions and weight

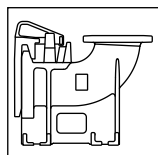


	A mm	B mm	C mm		D mm	E mm	F mm	Kg	
			WET	DRY				WET	DRY (*)
ZUG HP 050A 4/2 AW (D)	360	142.5	760	860	77	50	285	113.4	129.4
ZUG HP 050A 5.5/2 AW	360	142.5	760	-	77	50	285	116.4	-
ZUG HP 050A 7.5/2 AW	360	142.5	860	-	77	50	285	129.4	-
ZUG HP 050A 9/2 AW	360	142.5	860	-	77	50	285	133.4	-

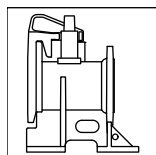
(*) Weight for the DRY version includes cooling fluid

W: WET version (submerged operation - S1 duty type) / **D: DRY version** (dry operation - S1 duty type)

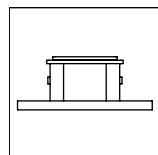
Available accessories



DAC V



DAC H

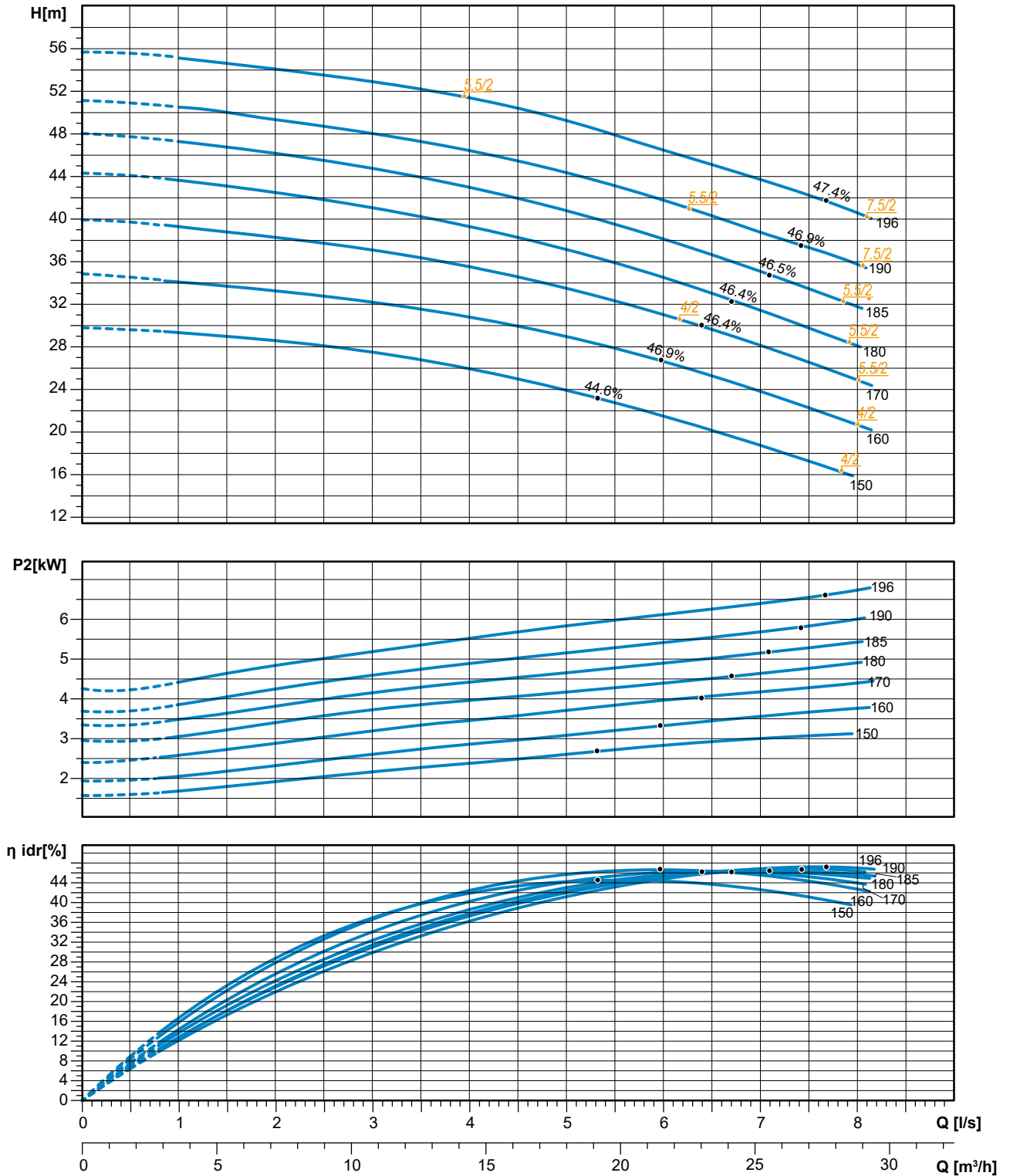


KBS

The data provided are not binding. Zenit reserves the right to modify any product without notice.

ZUG HP 050A

Performances



Characteristic curves according to UNI EN ISO 9906:2012

ZUG HP 050B

5.5 ÷ 15 kW - 2 poles

Hydraulics

High head impeller

Free passage: 7.5 mm

Discharge: DN50-G2" - EN 1092-2

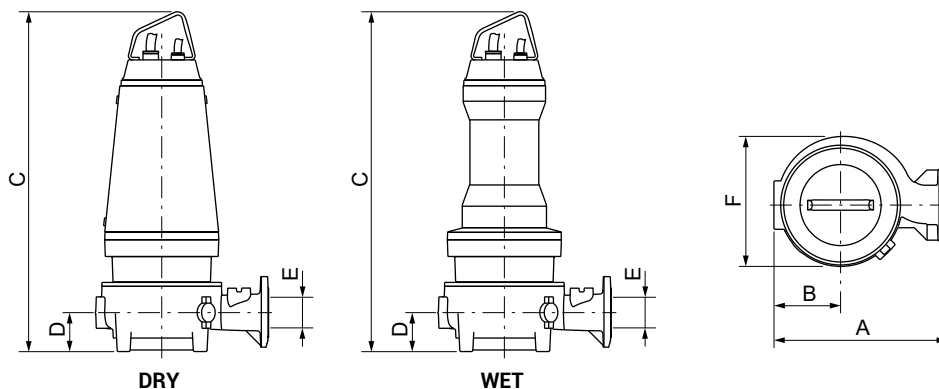
Suction: DN65



Motor (standard configuration)

Type	V/~	Start	A	cos φ	P1 (kW)	P2 (kW)	η mot. %	Efficiency class
5.5/2 A	400/3	DOL	10.2	0.88	6.2	5.5	89.2	IE3
7.5/2 A	400/3	DOL	14.1	0.85	8.3	7.5	90.1	IE3
9/2 A	400/3	DOL	16.6	0.87	9.9	9.0	90.7	IE3
11/2 A	400/3	DOL	20.0	0.87	12.0	11.0	91.7	IE3
15/2 A	400-700/3	Y Δ	26.7	0.88	16.3	15.0	91.9	IE3

Overall dimensions and weight

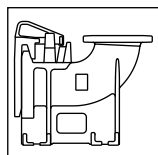


	A mm	B mm	C mm		D mm	E mm	F mm	Kg	
			WET	DRY				WET	DRY (+)
ZUG HP 050B 5.5/2 AW	404	160	773	-	77	50	320	120.9	-
ZUG HP 050B 7.5/2 AW (D)	404	160	873	948	77	50	320	133.9	217.9
ZUG HP 050B 9/2 AW (D)	404	160	873	948	77	50	320	137.9	240.6
ZUG HP 050B 11/2 AW (D)	404	160	873	948	77	50	320	141.9	224.0
ZUG HP 050B 15/2 AW (D)	404	160	1043	1043	77	50	320	205.0	240.6

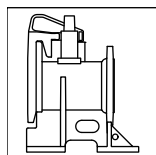
(+) Weight for the DRY version includes cooling fluid

W: WET version (submerged operation - S1 duty type) / **D: DRY version** (dry operation - S1 duty type)

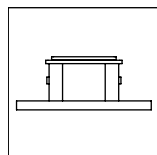
Available accessories



DAC V



DAC H

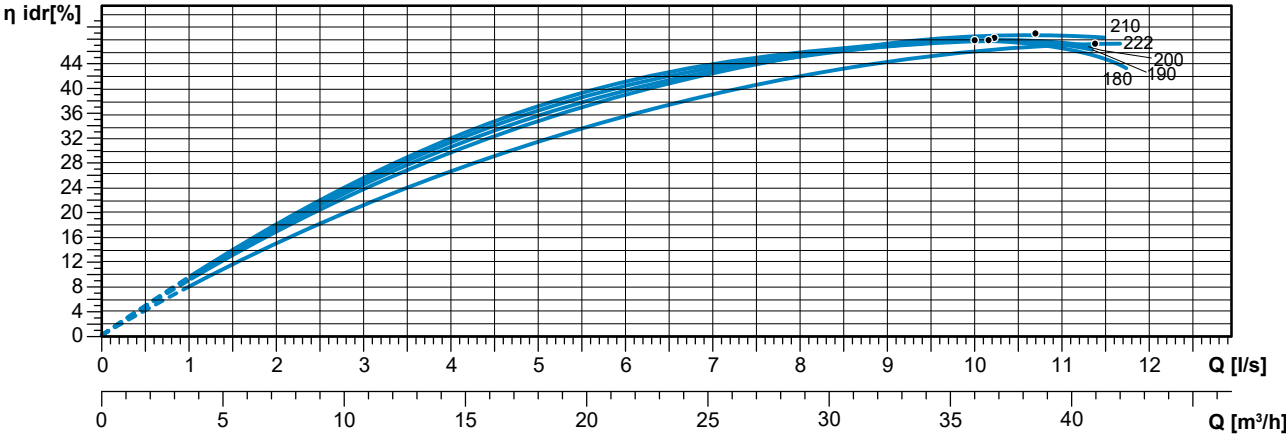
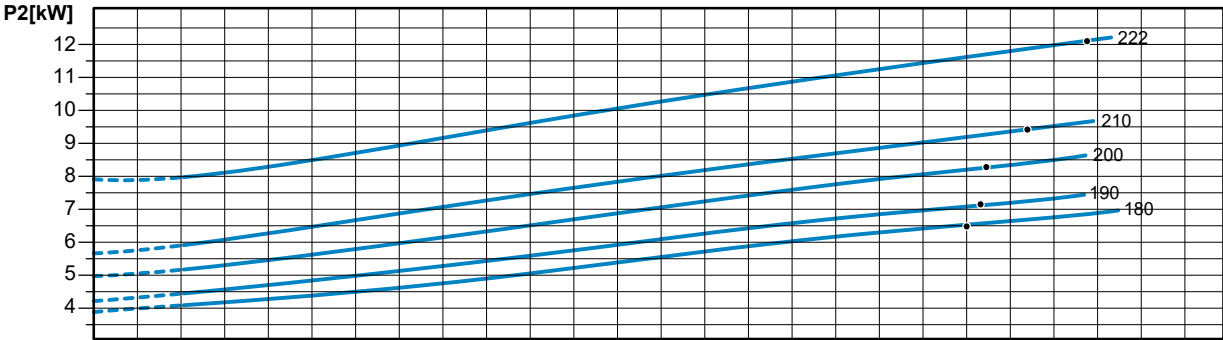
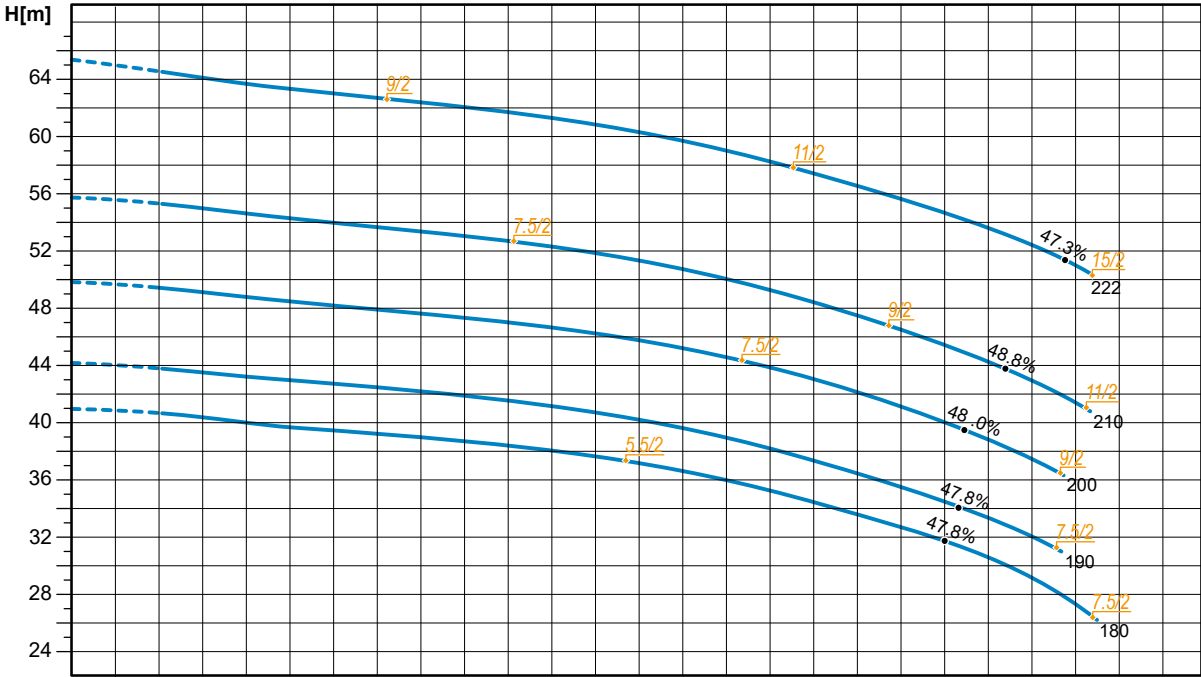


KBS

The data provided are not binding. Zenit reserves the right to modify any product without notice.

ZUG HP 050B

Performances



Characteristic curves according to UNI EN ISO 9906:2012

ZUG CP 080A - 2p

4 ÷ 11 kW - 2 poles

Hydraulics

CHOPPER impeller

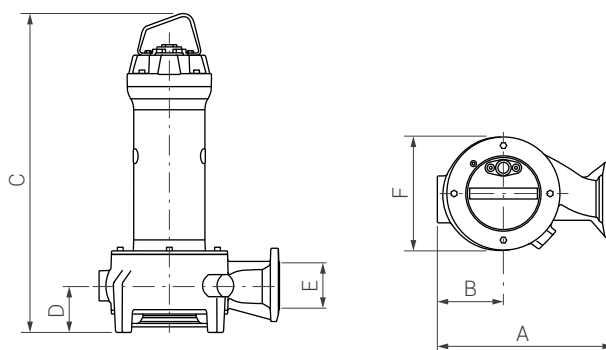
Free passage: 40 mm
 Discharge: DN80 - EN 1092-2
 Suction: DN80



Motor (standard configuration)

Type	V/~	Start	A	cos φ	P1 (kW)	P2 (kW)	η mot. %	Efficiency class
4/2 B	400/3	DOL	8.3	0.787	4.54	4.0	88.1	IE3
5.5/2 B	400/3	DOL	10.2	0.871	6.17	5.5	89.2	IE3
7.5/2 B	400/3	DOL	14.1	0.85	8.32	7.5	90.1	IE3
9/2 B	400/3	DOL	16.6	0.87	9.92	9.0	90.7	IE3
11/2 B	400/3	DOL	20.0	0.87	12.0	11.0	91.7	IE3

Overall dimensions and weight

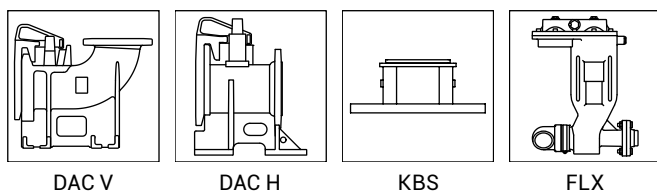


	A mm	B mm	C mm		D mm	E mm	F mm	Kg	
			WET	DRY				WET	DRY (+)
ZUG CP 080A 4/2 BW	322	137	705	-	90	80	272	73.7	-
ZUG CP 080A 5.5/2 BW	322	137	780	-	90	80	272	82.7	-
ZUG CP 080A 7.5/2 BW	322	137	850	-	90	80	272	107	-
ZUG CP 080A 9/2 BW	322	137	850	-	90	80	272	110	-
ZUG CP 080A 11/2 BW	322	137	850	-	90	80	272	113	-

(+) Weight for the DRY version includes cooling fluid

W: WET version (submerged operation - S1 duty type) / **D: DRY version** (dry operation - S1 duty type)

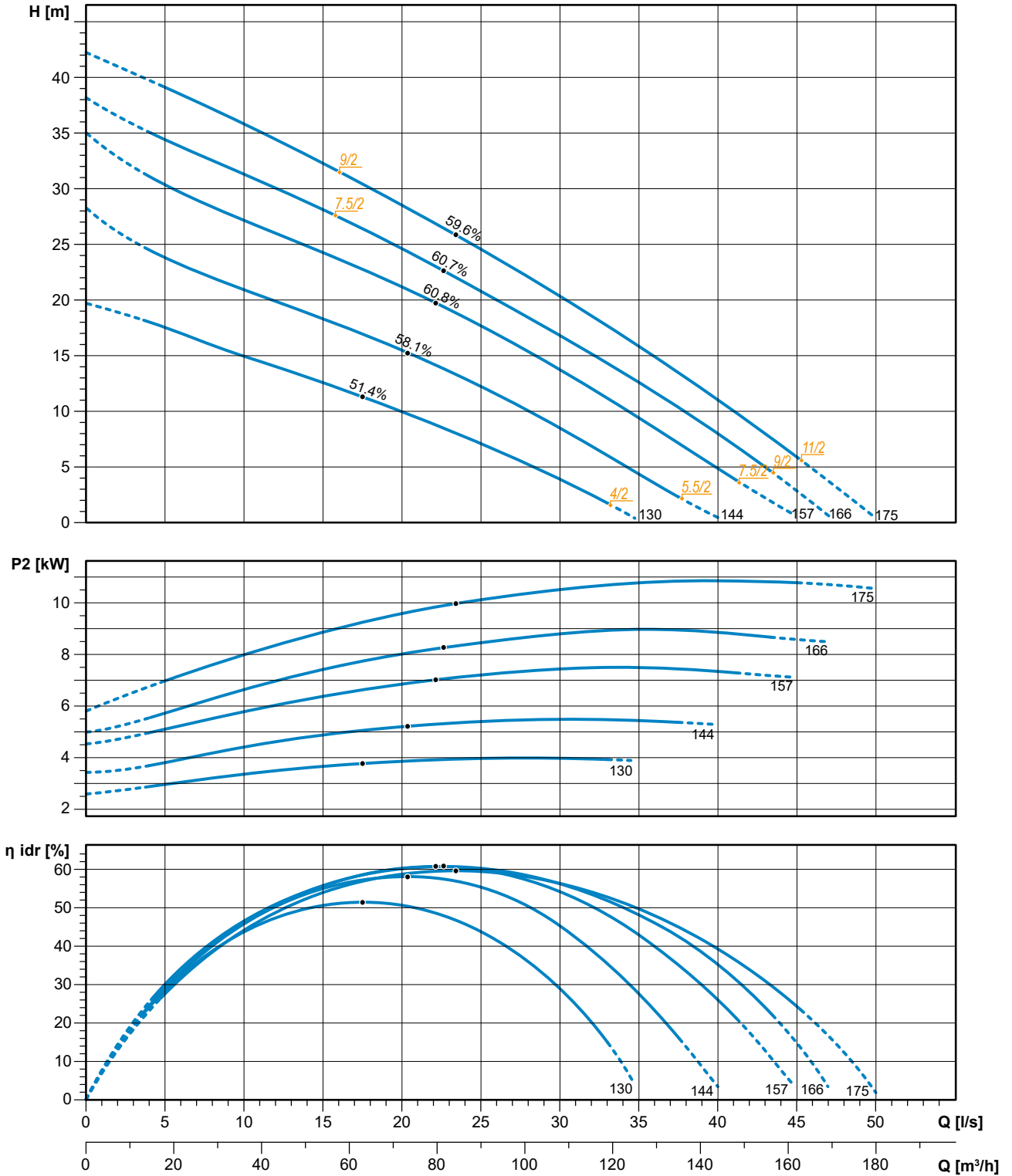
Available accessories



The data provided are not binding. Zenit reserves the right to modify any product without notice.

ZUG CP 080A - 2p

Performances



Characteristic curves according to UNI EN ISO 9906:2012

ZUG CP 080A - 4p

1.1 ÷ 1.5 kW - 4 poles

Hydraulics

CHOPPER impeller

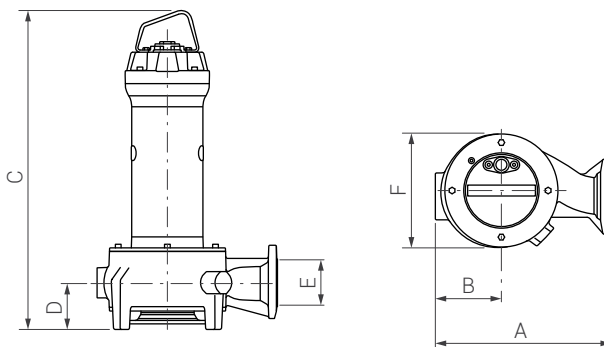
Free passage: 40 mm
 Discharge: DN80 - EN 1092-2
 Suction: DN80



Motor (standard configuration)

Type	V/~	Start	A	cos φ	P1 (kW)	P2 (kW)	η mot. %	Efficiency class
1.1/4 B	400/3	DOL	2.7	0.711	1.31	1.1	84.1	IE3
1.5/4 B	400/3	DOL	3.6	0.703	1.76	1.5	85.3	IE3

Overall dimensions and weight

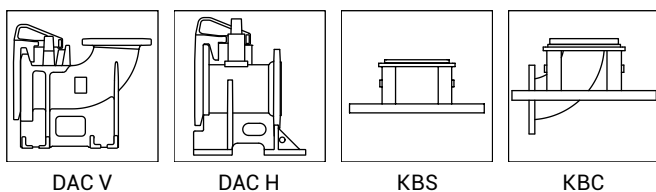


	A mm	B mm	C mm		D mm	E mm	F mm	Kg	
			WET	DRY				WET	DRY (*)
ZUG CP 080A 1.1/4 BW	322	137	652	-	91	80	272	48	-
ZUG CP 080A 1.5/4 BW	322	137	652	-	91	80	272	49	-

(*) Weight for the DRY version includes cooling fluid

W: WET version (submerged operation - S1 duty type) / **D: DRY version** (dry operation - S1 duty type)

Available accessories



DAC V

DAC H

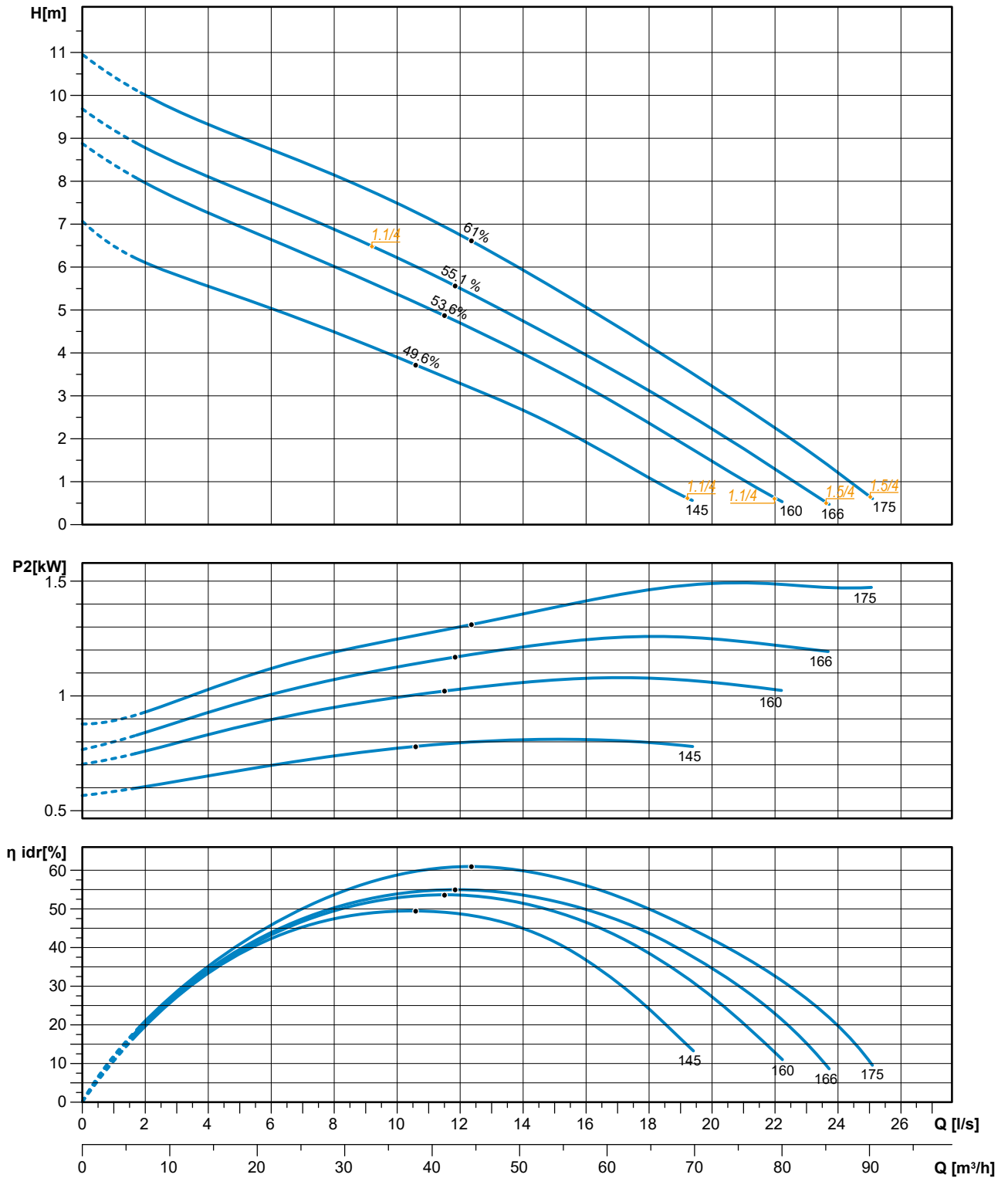
KBS

KBC

The data provided are not binding. Zenit reserves the right to modify any product without notice.

ZUG CP 080A - 4p

Performances



Characteristic curves according to UNI EN ISO 9906:2012

ZUG CP 100B - 4p

11 ÷ 15(45) kW - 4 poles

Hydraulics

Chopper impeller

Free passage: 80 mm

Discharge: DN100 - EN 1092-2

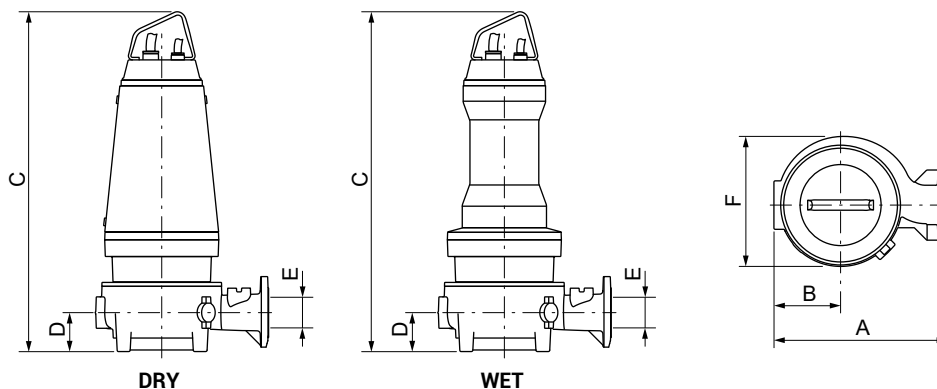
Suction: DN150



Motor (standard configuration)

Type	V/~	Start	A	cos φ	P1 (kW)	P2 (kW)	η mot. %	Efficiency class
11/4 A	400-700/3	Y Δ	21.3	0.81	12.04	11.0	91.4	IE3
15/4 A	400-700/3	Y Δ	28.2	0.84	16.32	15.0	91.9	IE3

Overall dimensions and weight

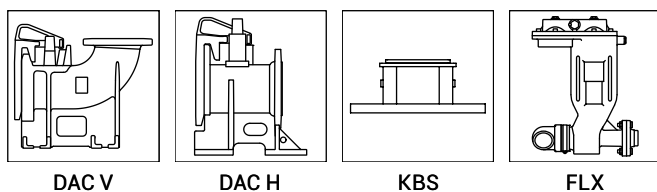


	A mm	B mm	C mm		D mm	E mm	F mm	Kg	
			WET	DRY				WET	DRY (*)
ZUG CP 100B 11/4 AW (D)	590	240	1191	1191	143	100	471	312.6	359.6
ZUG CP 100B 15/4 AW (D)	590	240	1191	1191	143	100	471	326.3	373.3

(*) Weight for the DRY version includes cooling fluid

W: WET version (submerged operation - S1 duty type) / **D: DRY version** (dry operation - S1 duty type)

Available accessories

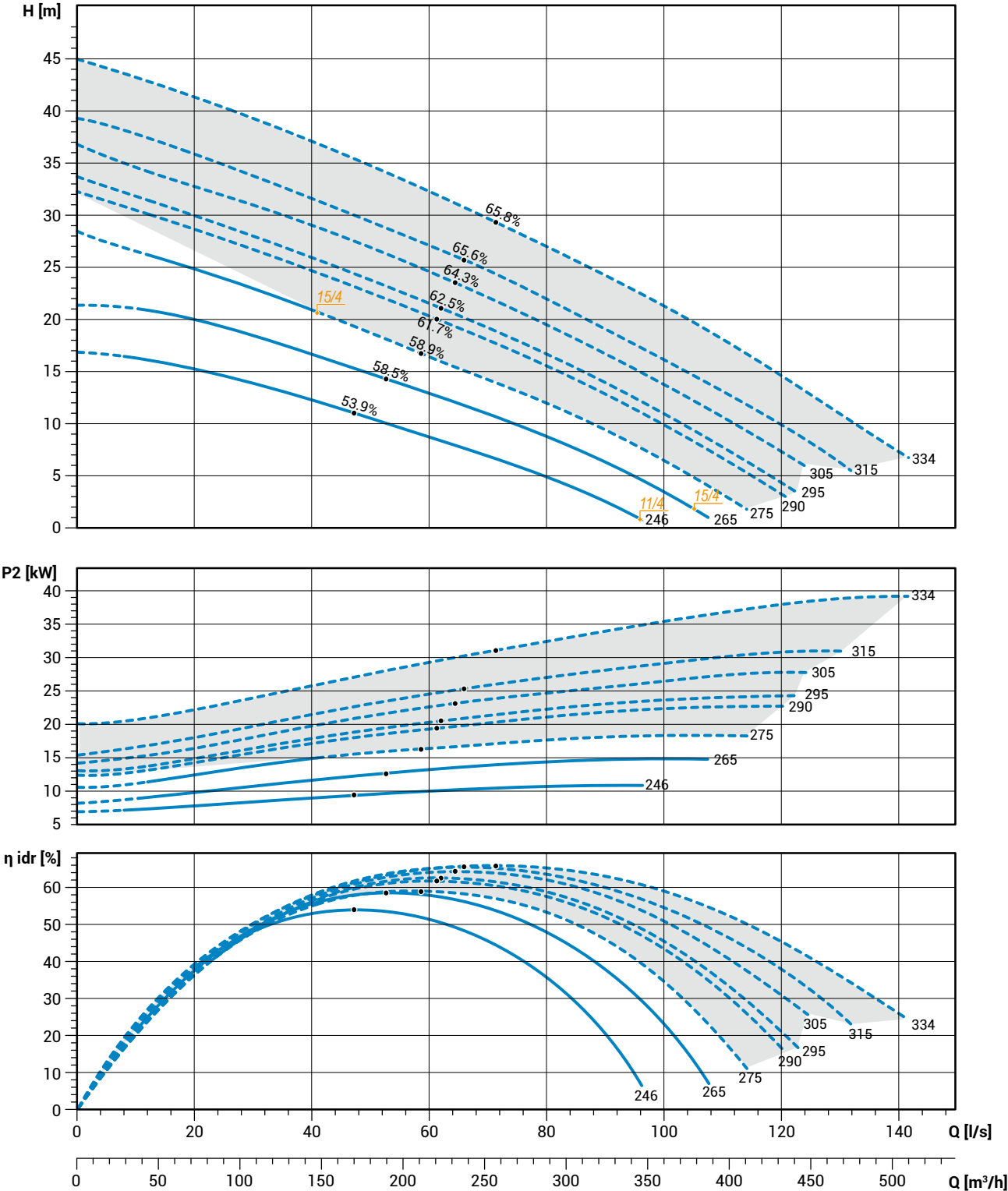


The data provided are not binding. Zenit reserves the right to modify any product without notice.

ZUG CP 100B - 4p

Performances

Contact Zenit



Characteristic curves according to UNI EN ISO 9906:2012

ZUG CP 100B - 6p

5.5 ÷ 11 kW - 6 poles

Hydraulics

Chopper impeller

Free passage: 80 mm

Discharge: DN100 - EN 1092-2

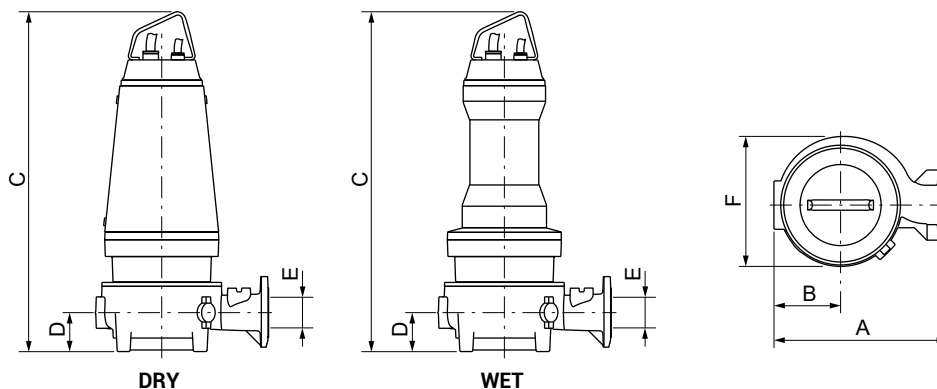
Suction: DN150



Motor (standard configuration)

Type	V/~	Start	A	cos φ	P1 (kW)	P2 (kW)	η mot. %	Efficiency class
5.5/6 A	400-700/3	Y Δ	11.6	0.78	6.25	5.5	88.0	IE3
7.5/6 A	400-700/3	Y Δ	16.1	0.75	8.41	7.5	89.2	IE3
9/6 A	400-700/3	Y Δ	19.8	0.73	10.0	9.0	89.7	IE3
11/6 A	400-700/3	Y Δ	22.7	0.78	12.19	11.0	90.2	IE3

Overall dimensions and weight

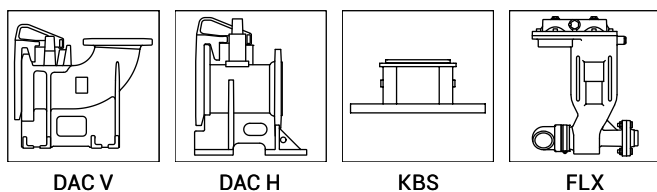


	A mm	B mm	C mm		D mm	E mm	F mm	Kg	
			WET	DRY				WET	DRY (*)
ZUG CP 100B 5.5/6 AW (D)	590	240	1140	1140	143	100	471	252.1	287.1
ZUG CP 100B 7.5/6 AW (D)	590	240	1191	1191	143	100	471	280.1	327.1
ZUG CP 100B 9/6 AW (D)	590	240	1191	1191	143	100	471	287.8	334.8
ZUG CP 100B 11/6 AW (D)	590	240	1191	1191	143	100	471	298.1	345.1

(*) Weight for the DRY version includes cooling fluid

W: WET version (submerged operation - S1 duty type) / **D: DRY version** (dry operation - S1 duty type)

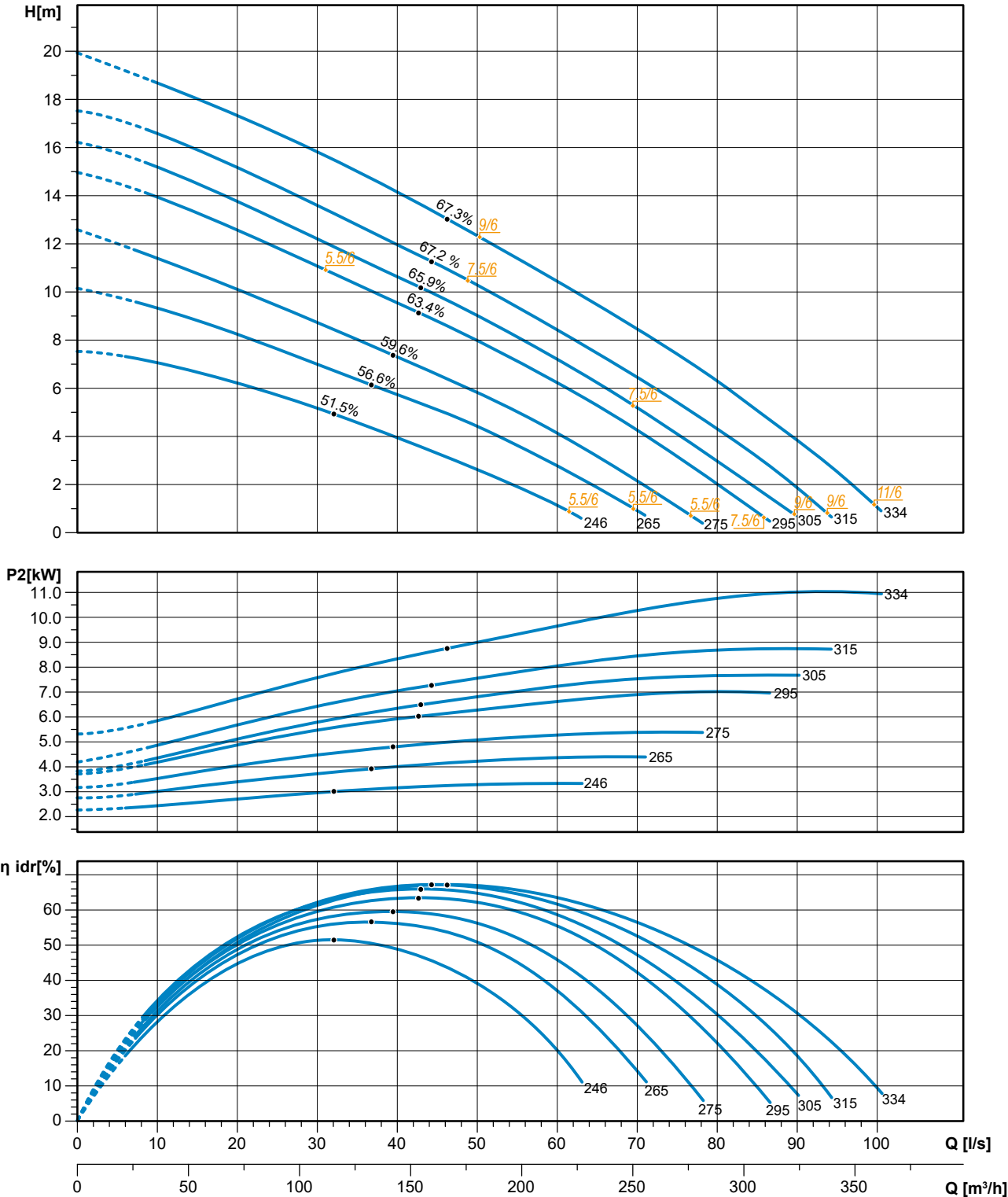
Available accessories



The data provided are not binding. Zenit reserves the right to modify any product without notice.

ZUG CP 100B - 6p

Performances



Characteristic curves according to UNI EN ISO 9906:2012

ZUG CP 100F - 2p

22 ÷ 37(45) kW - 2 poles

Hydraulics

Chopper impeller

Free passage: 45 mm

Discharge: DN100 - EN 1092-2

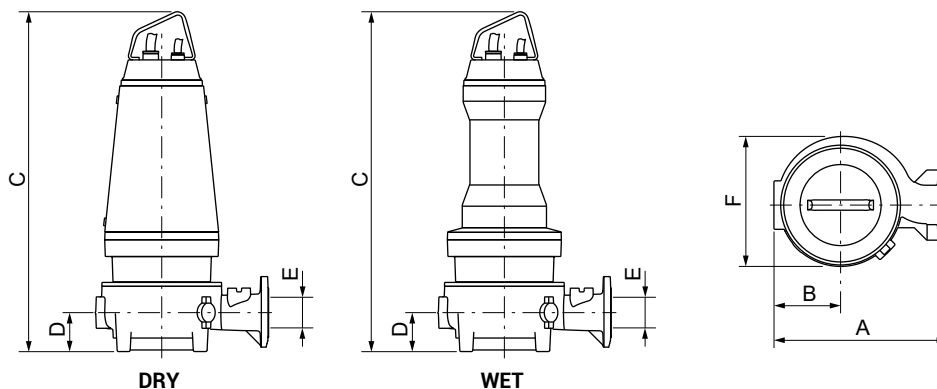
Suction: DN150



Motor (standard configuration)

Type	V/~	Start	A	cos φ	P1 (kW)	P2 (kW)	η mot. %	Efficiency class
22/2 A	400-700/3	Y Δ	39.3	0.87	23.7	22.0	92.8	IE3
30/2 A	400-700/3	Y Δ	53.0	0.88	30.2	30.0	93.3	IE3
37/2 H	400-700/3	Y Δ	64.1	0.90	40.1	37.0	92.3	IE2

Overall dimensions and weight

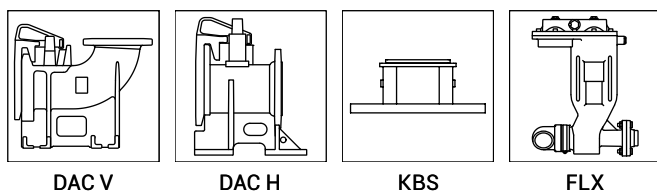


	A mm	B mm	C mm		D mm	E mm	F mm	Kg	
			WET	DRY				WET	DRY (+)
ZUG CP 100F 22/2 AW (D)	602	208	1181	1181	124	100	413	341.6	388.6
ZUG CP 100F 30/2 AW (D)	602	208	1181	1181	124	100	413	351.8	398.8
ZUG CP 100F 37/2 HW (D)	602	208	1181	1181	124	100	413	351.8	398.8

(*) Weight for the DRY version includes cooling fluid

W: WET version (submerged operation - S1 duty type) / D: DRY version (dry operation - S1 duty type)

Available accessories

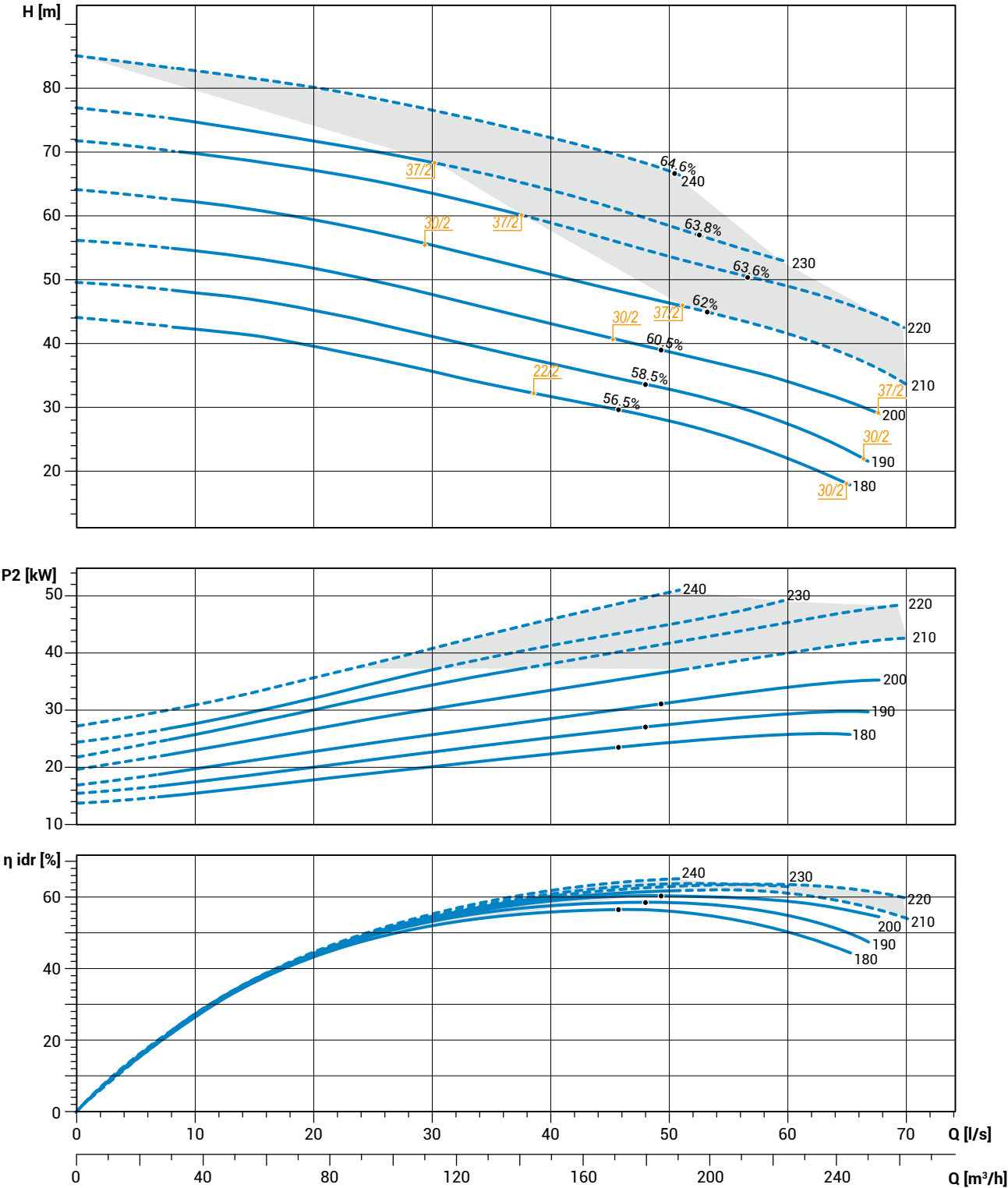


The data provided are not binding. Zenit reserves the right to modify any product without notice.

ZUG CP 100F - 2p

Performances

Contact Zenit



Characteristic curves according to UNI EN ISO 9906:2012

ZUG CP 100F - 4p

3 ÷ 15 kW - 4 poles

Hydraulics

Chopper impeller

Free passage: 45 mm

Discharge: DN100 - EN 1092-2

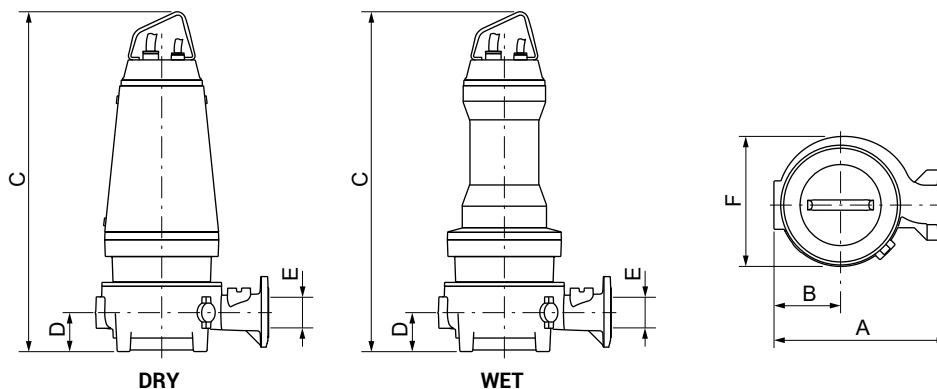
Suction: DN150



Motor (standard configuration)

Type	V/~	Start	A	cos φ	P1 (kW)	P2 (kW)	η mot. %	Efficiency class
3/4 A	400/3	DOL	6.6	0.75	3.42	3.0	87.7	IE3
4/4 A	400/3	DOL	8.5	0.77	4.5	4.0	88.7	IE3
5.5/4 A	400/3	DOL	11.7	0.76	6.1	5.5	89.6	IE3
7.5/4 A	400-700/3	Y Δ	14.5	0.83	8.3	7.5	90.4	IE3
9/4 A	400-700/3	Y Δ	18.3	0.78	9.9	9.0	90.8	IE3
11/4 A	400-700/3	Y Δ	21.2	0.82	12.0	11.0	91.4	IE3
15/4 A	400-700/3	Y Δ	28.5	0.82	16.3	15.0	92.2	IE3

Overall dimensions and weight

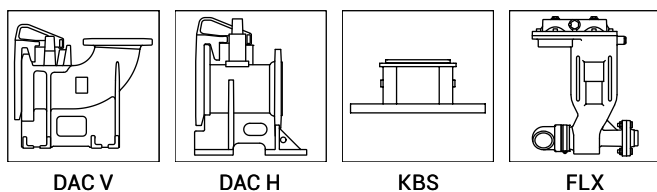


	A mm	B mm	C mm		D mm	E mm	F mm	Kg	
			WET	DRY				WET	DRY (*)
ZUG CP 100F 3/4 AW	602	208	864	-	124	100	407	191	-
ZUG CP 100F 4/4 AW (D)	602	208	964	1040	124	100	407	209	294
ZUG CP 100F 5.5/4 AW (D)	602	208	964	1040	124	100	407	212	298
ZUG CP 100F 7.5/4 AW (D)	602	208	1040	1040	124	100	407	261.3	296.3
ZUG CP 100F 9/4 AW (D)	602	208	1130	1130	124	100	407	282.3	315.3
ZUG CP 100F 11/4 AW (D)	602	208	1181	1181	124	100	413	333.5	380.5
ZUG CP 100F 15/4 AW (D)	602	208	1181	1181	124	100	413	347.2	394.2

(*) Weight for the DRY version includes cooling fluid

W: WET version (submerged operation - S1 duty type) / **D:** DRY version (dry operation - S1 duty type)

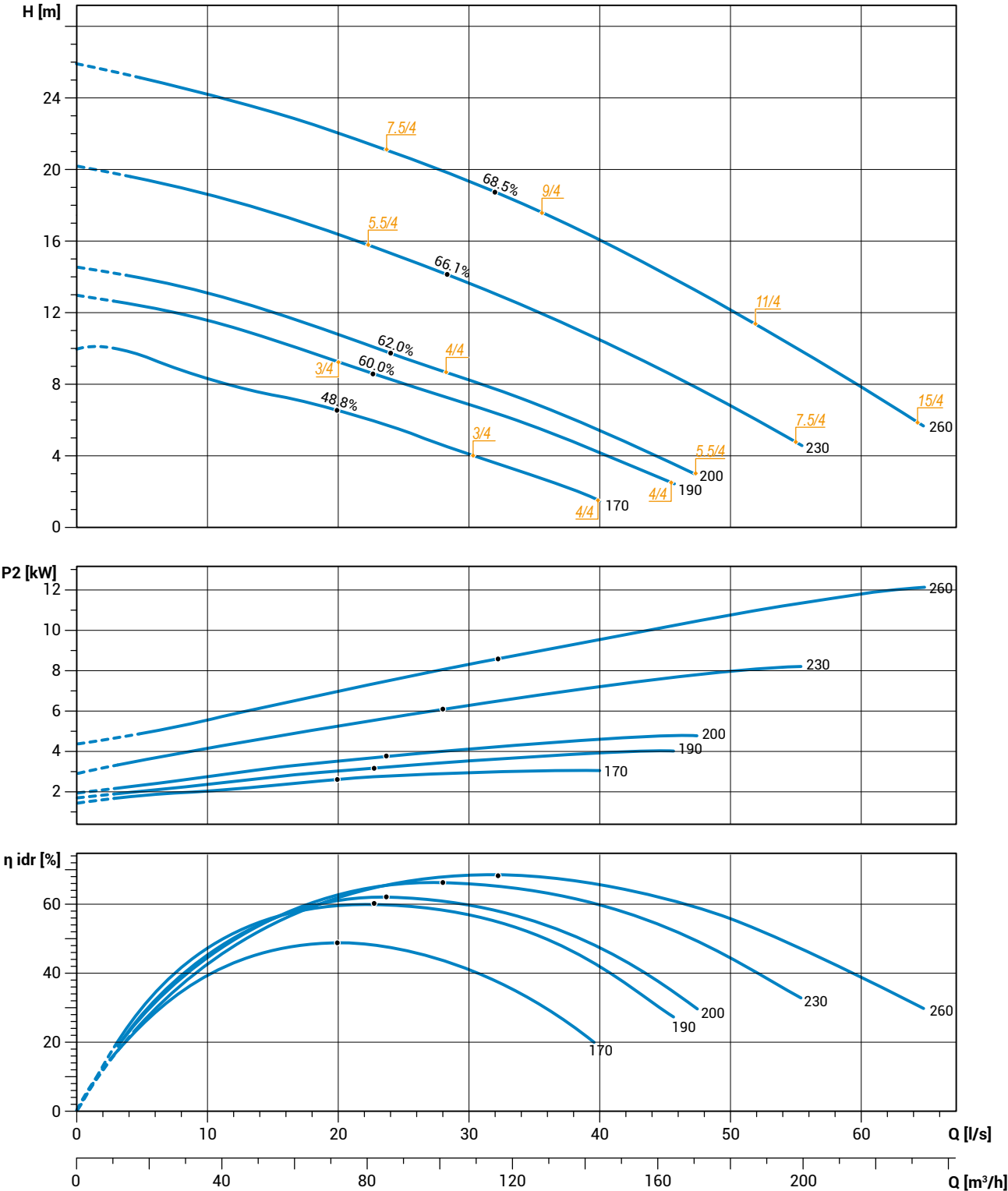
Available accessories



The data provided are not binding. Zenit reserves the right to modify any product without notice.

ZUG CP 100F - 4p

Performances



Characteristic curves according to UNI EN ISO 9906:2012

ZUG CP 150G - 4p

11 ÷ 15(45) kW - 4 poles

Hydraulics

Chopper impeller

Free passage: 80mm

Discharge: DN150 - EN 1092-2

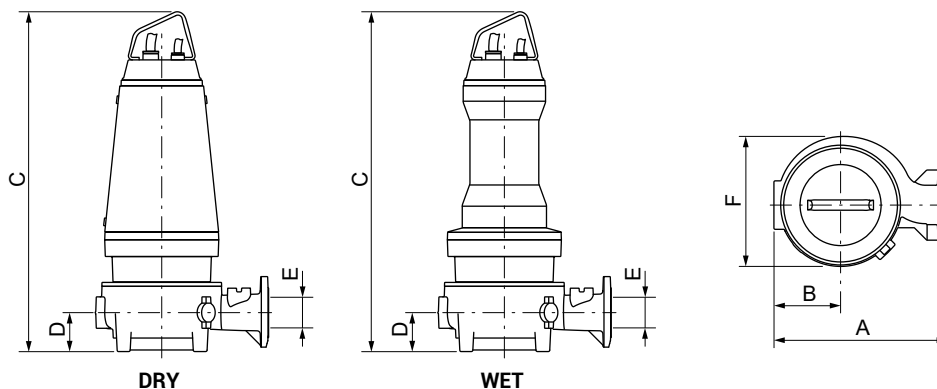
Suction: DN150



Motor (standard configuration)

Type	V/~	Start	A	cos φ	P1 (kW)	P2 (kW)	η mot. %	Efficiency class
11/4 A	400-700/3	Y Δ	21.3	0.81	12.04	11.0	91.4	IE3
15/4 A	400-700/3	Y Δ	28.2	0.84	16.32	15.0	91.9	IE3

Overall dimensions and weight

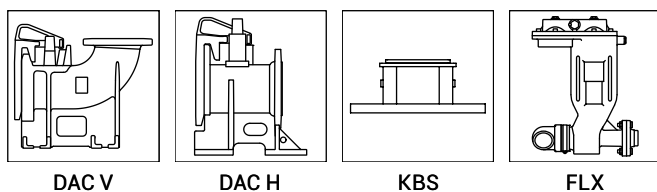


	A mm	B mm	C mm		D mm	E mm	F mm	Kg	
			WET	DRY				WET	DRY (*)
ZUG CP 150G 11/4 AW (D)	609	243	1191	1191	143	150	470	320.2	367.2
ZUG CP 150G 15/4 AW (D)	609	243	1191	1191	143	150	470	333.9	380.9

(*) Weight for the DRY version includes cooling fluid

W: WET version (submerged operation - S1 duty type) / **D: DRY version** (dry operation - S1 duty type)

Available accessories

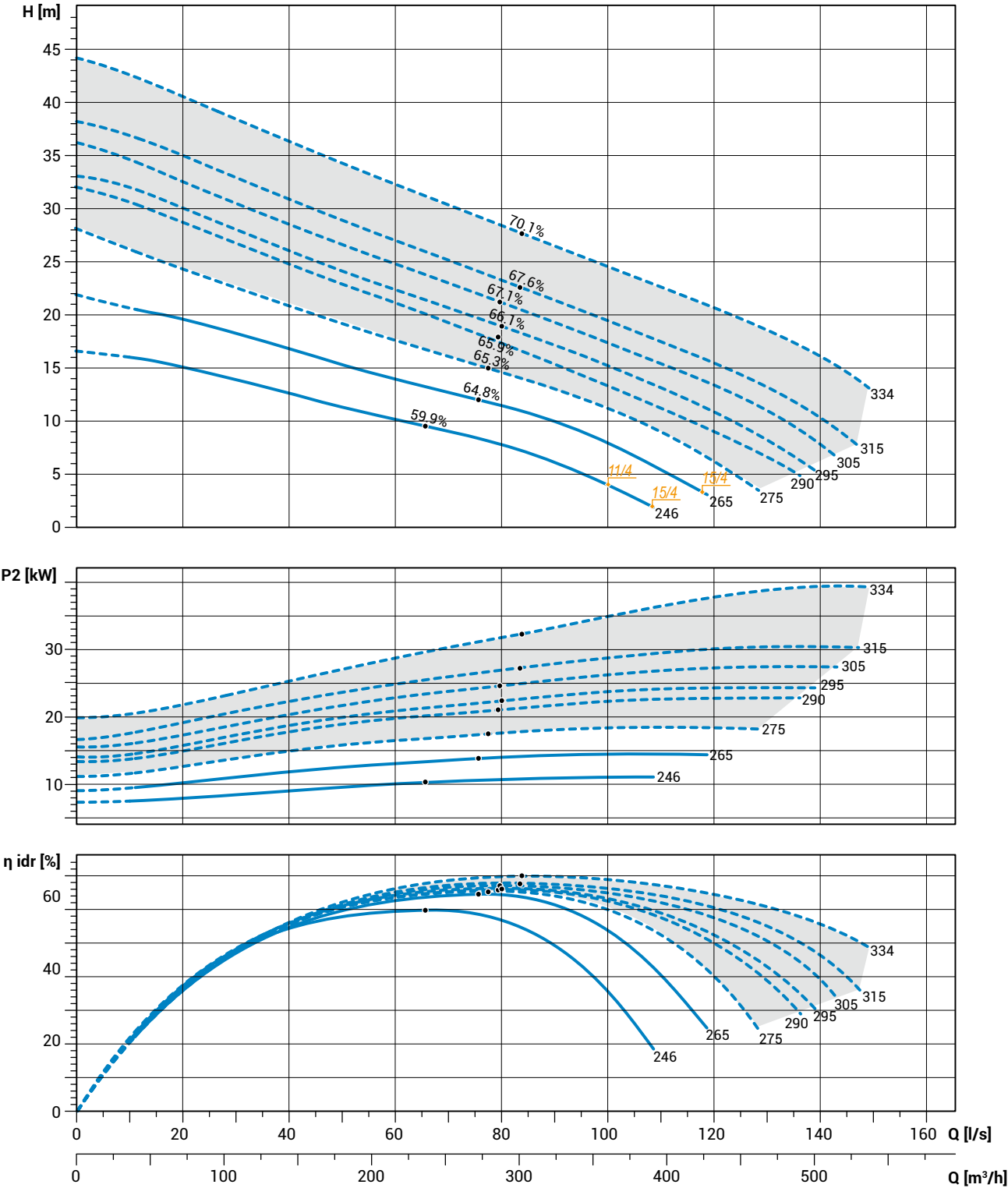


The data provided are not binding. Zenit reserves the right to modify any product without notice.

ZUG CP 150G - 4p

Performances

Contact Zenit



Characteristic curves according to UNI EN ISO 9906:2012

ZUG CP 150G - 6p

5.5 ÷ 11 kW - 6 poles

Hydraulics

Chopper impeller

Free passage: 80 mm

Discharge: DN150 - EN 1092-2

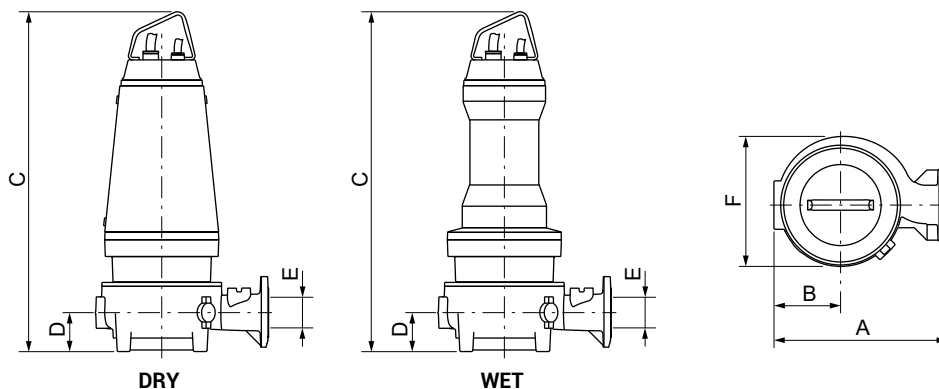
Suction: DN150



Motor (standard configuration)

Type	V/~	Start	A	cos φ	P1 (kW)	P2 (kW)	η mot. %	Efficiency class
5.5/6 A	400-700/3	Y Δ	11.6	0.779	6.25	5.5	88.0	IE3
7.5/6 A	400-700/3	Y Δ	16.1	0.75	8.41	7.5	89.2	IE3
9/6 A	400-700/3	Y Δ	19.8	0.73	10.03	9.0	89.7	IE3
11/6 A	400-700/3	Y Δ	22.7	0.78	12.16	11.0	90.2	IE3

Overall dimensions and weight

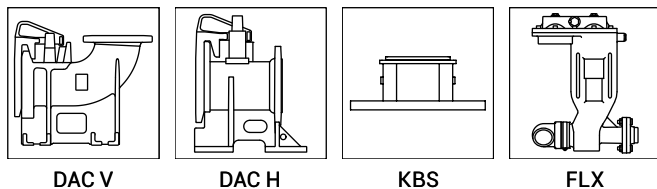


	A mm	B mm	C mm		D mm	E mm	F mm	Kg	
			WET	DRY				WET	DRY (*)
ZUG CP 150G 5.5/6 AW (D)	609	243	1140	1140	143	150	470	259.7	294.7
ZUG CP 150G 7.5/6 AW (D)	609	243	1191	1191	143	150	470	287.7	334.7
ZUG CP 150G 9/6 AW (D)	609	243	1191	1191	143	150	470	295.4	342.4
ZUG CP 150G 11/6 AW (D)	609	243	1191	1191	143	150	470	305.7	352.7

(*) Weight for the DRY version includes cooling fluid

W: WET version (submerged operation - S1 duty type) / **D: DRY version** (dry operation - S1 duty type)

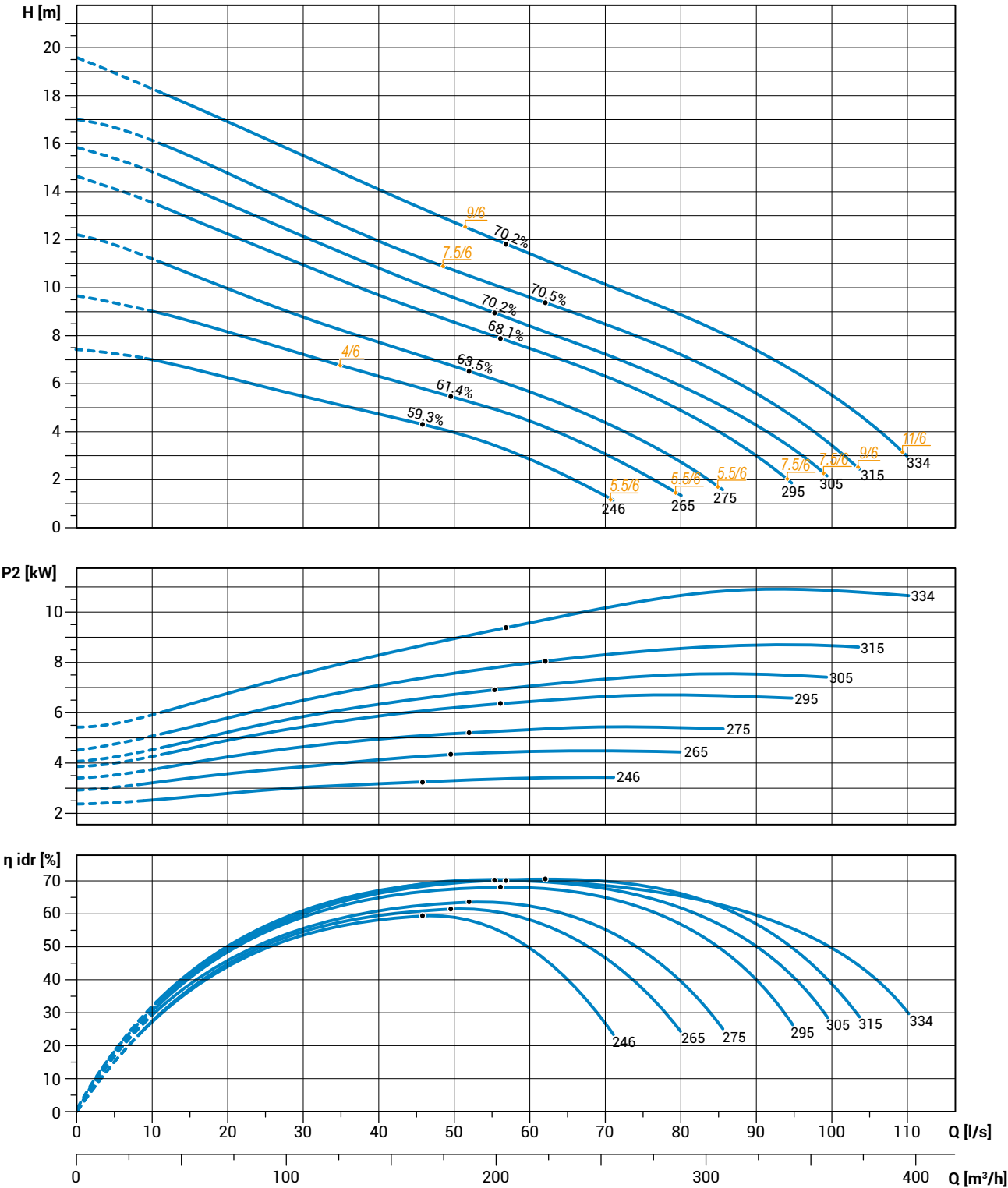
Available accessories



The data provided are not binding. Zenit reserves the right to modify any product without notice.

ZUG CP 150G - 6p

Performances



Characteristic curves according to UNI EN ISO 9906:2012

ZUG VL 050A

1.8 kW - 4 poles

Hydraulics

Channel impeller with Vulkollan coating

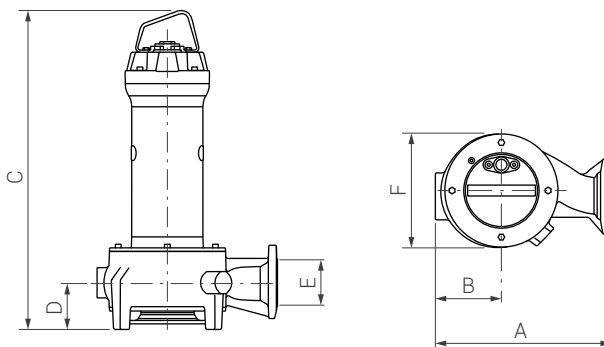
Free passage: 30 mm
 Discharge: DN50 - EN 1092-2
 Suction: DN50



Motor (standard configuration)

Type	V/~	Start	A	cos φ	P1 (kW)	P2 (kW)	η mot. %	Efficiency class
1.8/4 A	400/3	DOL	4.1	0.74	2.09	1.8	86.0	IE3

Overall dimensions and weight

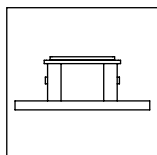


	A mm	B mm	C mm		D mm	E mm	F mm	Kg	
			WET	DRY				WET	DRY (*)
ZUG VL 050A 1.8/4 CW	300	138	675	-	128	50	265	45.3	-

(*) Weight for the DRY version includes cooling fluid

W: WET version (submerged operation - S1 duty type) / **D: DRY version** (dry operation - S1 duty type)

Available accessories

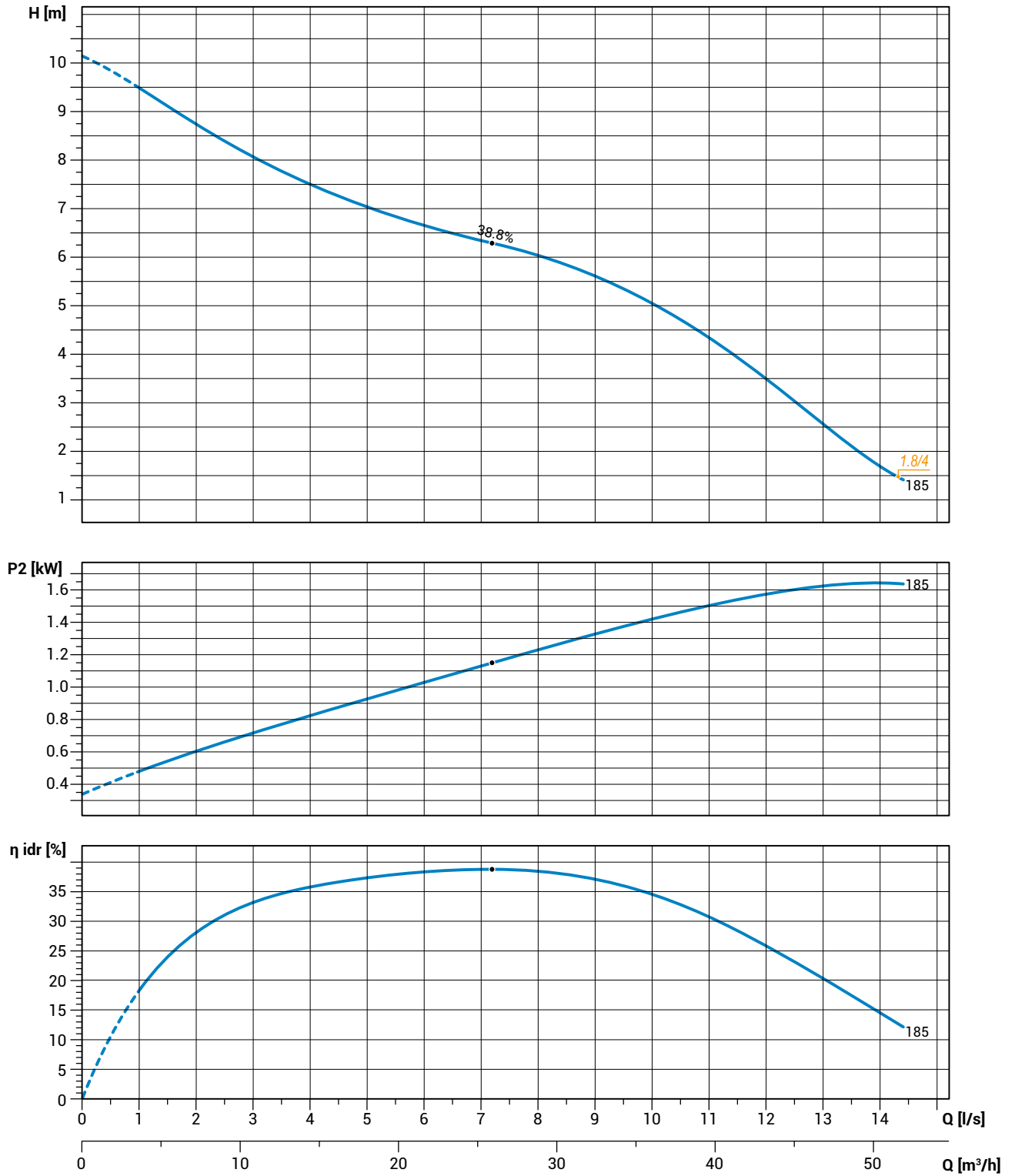


KBS

The data provided are not binding. Zenit reserves the right to modify any product without notice.

ZUG VL 050A

Performances



Characteristic curves according to UNI EN ISO 9906:2012

ZENO Pump Selector, one-click access to the right solution for you

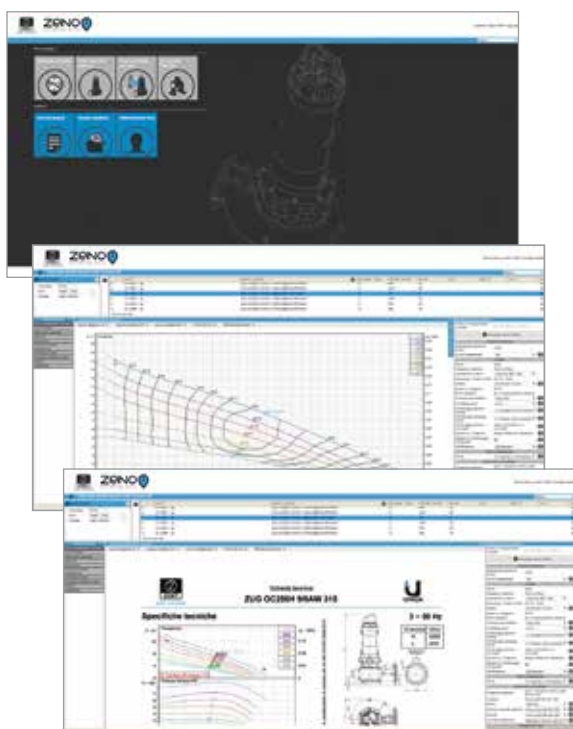
The solution that provides invaluable assistance for the entire Zenit electric pump selection and configuration process, right through to generation of the final quotation. Used to meet the needs of producers and operators, the Zeno Pump Selector is an extremely effective tool for managing all types of businesses.



Tre differenti modalità di ricerca

By point, by selecting the precise duty point; **Direct**, by selecting the type of hydraulics; and **Efficient**, by replacing a less efficient electric pump with a Zenit model.

Pumping system design involves selection of the various duty points on the basis of the fluid for handling, through to choice of the hydraulic component configurations. Apart from the choice of exactly the right unit, there are also impressive time savings in the electric pump selection and configuration process.



DIMENSION SPECIFICATION, SELECTION, QUOTATION

Detailed configuration for quick consultation of all the product's specific data





better together