



The electropumps MXV series comply with the European Regulation no. 547/2012.

MXV 25, 32, 40, 50

All parts that come into contact with the liquid, including wet-end covers, are in chrome-nickel stainless steel AISI 304.

Materials (wetted parts)

| Component | Material |
|---|---|
| Flange External jacket Suction casing Delivery casing Stage casing Impeller Lower cover Upper cover Spacer sleeve | Stainless Steel 1.4301 EN 10088 (AISI 304) |
| Pump shaft Plug | Stainless Steel 1.4305 EN 10088 (AISI 303) (for MXV 50 AISI 304) |
| Bearing sleeve Bearing in stage casing | Corrosion-resistant, cemented carbide Ceramic alumina |
| Mechanical seal ISO 3069 - KU | Hard metal/Carbon/EPDM. |
| Wear ring | PPS (PTFE for MXV 40) |
| O-rings | NBR (EPDM for MXV 50) |
| Oval Counterflanges | AISI 304 (galvanized steel for MXV 50 O) |
| Counterflanges (on request) | AISI 304 (Steel Fe 430B for MXV 50) |

Direction of rotation: clockwise as seen from the motor.

Variants (to be specified when ordering)

- Pump with flanged ports (F).
- Pump with oval flange ports (O) (for MXV 25,32,40,50).
- Pump without motor.
- Pump with standard motor.

Other variants (on request)

- O-rings FPM.
- Other mechanical seal.
- Pump with motor of Client's choice (if available).
- Single-phase motor 230 V, up to 2.2 kW.
- Pump with support feet for horizontal installation (H1 or H2).
- Other voltage ratings. Frequency 60 Hz.

Construction

Vertical multi-stage pumps with suction and delivery connections of the same diameter and arranged along the same axis (in-line). Corrosion-resistant bearing sleeves lubricated by the pumped liquid. Removal of the mechanical seal without dismantling the motor (for MXV 25-32-40-50,100 with motors exceeding 4 KW). A pump with thrust bearing and sleeve coupling for use of any standard motor with IM V1 construction.

Version with frequency converter (on request)

Applications

For water supply systems.
For clean non-explosive liquids, without solid, filamentary or abrasive matter (with adaptation of sealing materials on request). A universal pump for civil and industrial use, for pressure-boosting systems, high-pressure washing plants, irrigation, agricultural uses and sport installations.

Operating conditions

Temperature of liquid: from -15 °C to +110 °C.
Operating environment temperature: up to 40 °C.
Maximum permissible pressure in pump casing: 25 bar.
(16 bar for pumps with oval flanges).
Continuous duty.

Motor

Standard-type: 2-pole induction motor, 50 Hz (n ≈ 2900 rpm).
Construction IM V1 (EN 60034-7).
Motor suitable for operation with frequency converter.
IE3 efficiency class for three-phase motors.
Insulation class F. Protection IP 55.
three-phase with rated voltage: up to 3 kW 230/400 V;
from 4 kW 400/690 V.

MXV 65, 80, 100

Internal parts in contact with the liquid in chrome-nickel stainless steel, AISI 304 with pump casing and upper cover in cast iron.

Materials (wetted parts)

| Component | Material |
|--|---|
| Pump casing Upper cover | Cast iron GJL 250 EN 1561 |
| External jacket Stage casing Impeller Spacer sleeve | Stainless Steel 1.4301 EN 10088 (AISI 304) |
| Pump shaft Plug | Stainless Steel (AISI 303)(AISI 431 for MXV 100) Stainless Steel (AISI 303)(AISI 304 for MXV 100) |
| Bearing sleeve Bearing in stage casing | Corrosion-resistant, cemented carbide Ceramic alumina (Corrosion-resistant, cemented carbide for MXV 100) |
| Mechanical seal ISO 3069 - KU | Hard metal/Carbon/EPDM |
| Wear ring | PTFE |
| O-rings | NBR (EPDM for MXV 100) |
| Counterflanges (on request) | Steel 1.0044 EN 10025-2 (Fe 430B) |

Direction of rotation: anticlockwise as seen from the motor.
(clockwise as seen from the motor for MXV 100)

Variants (to be specified when ordering)

- Pump without motor.
- Pump with standard motor.

Other variants (on request)

- O-rings FPM.
- Other mechanical seal.
- Pump with motor of Client's choice (if available).
- Other voltage ratings.
- Frequency 60 Hz.
- Pump with support feet for horizontal installation (H1 or H2) MXV 100 series excluded.

Pumps with frequency converter

The **MXV EI** pumps are available with power from 0,75 kW up to 22 kW, the pumps are equipped with **I-MAT** installed on board which allows to realize a variable-speed system extremely compact and efficient, ideal in applications of water supply and in the distribution of hot and cold water. The pump is equipped with transducers suitable for operation and is already programmed at the factory.

Advantages

- Energy saving
- Compact design
- Easy to use
- Programmable to suit the system requirements
- Reliability

Costruction

The system comprises of:

- Pump
- Induction motor
- I-MAT Frequency converter
- Motor adapter for the motor mounting of the frequency converter
- Connection cable between frequency converter and induction motor
- Transducers

Main features

- Rated motor power output from 0,75 kW to 22 kW
- Control range from 1750 to 2900 rpm (2-pole)
- Protection against dry running
- Protection against operations with closed connection ports
- Protection against system leakages
- Protection against overcurrent in the motor
- Protection against overvoltage and undervoltage of the power supply
- Protection against current unbalances between phases

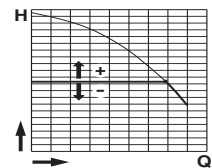


Operating modes



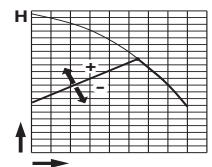
Mode at a constant pressure with pressure sensor

In this mode, the system maintains the preset pressure when the flow required by the installation changes.



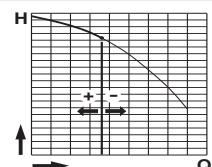
Proportional pressure mode with pressure sensor

In this mode the system changes the working pressure according to the required flow rate.



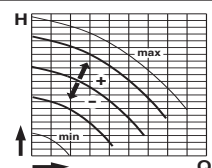
Constant flow mode with flow meter

In this mode the system maintains a constant flow rate value in a point of the installation according to the required pressure.



Fixed speed mode with setting of the speed preferential rotation.

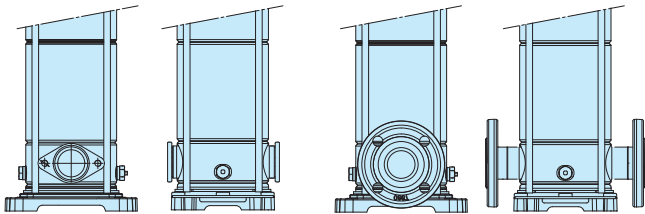
In this mode, by changing the working frequency, you may choose any operational curve included within the working range.



Constant temperature mode with temperature transducer

In this mode the system keeps the temperature constant inside a system by changing the speed of the pump.

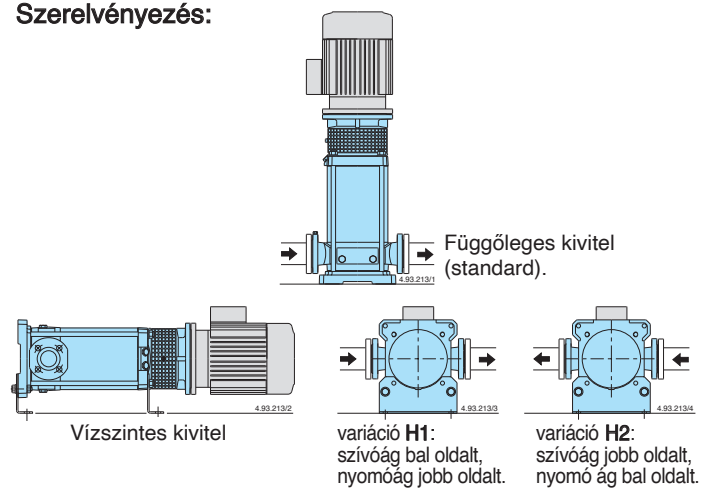
Verziók:



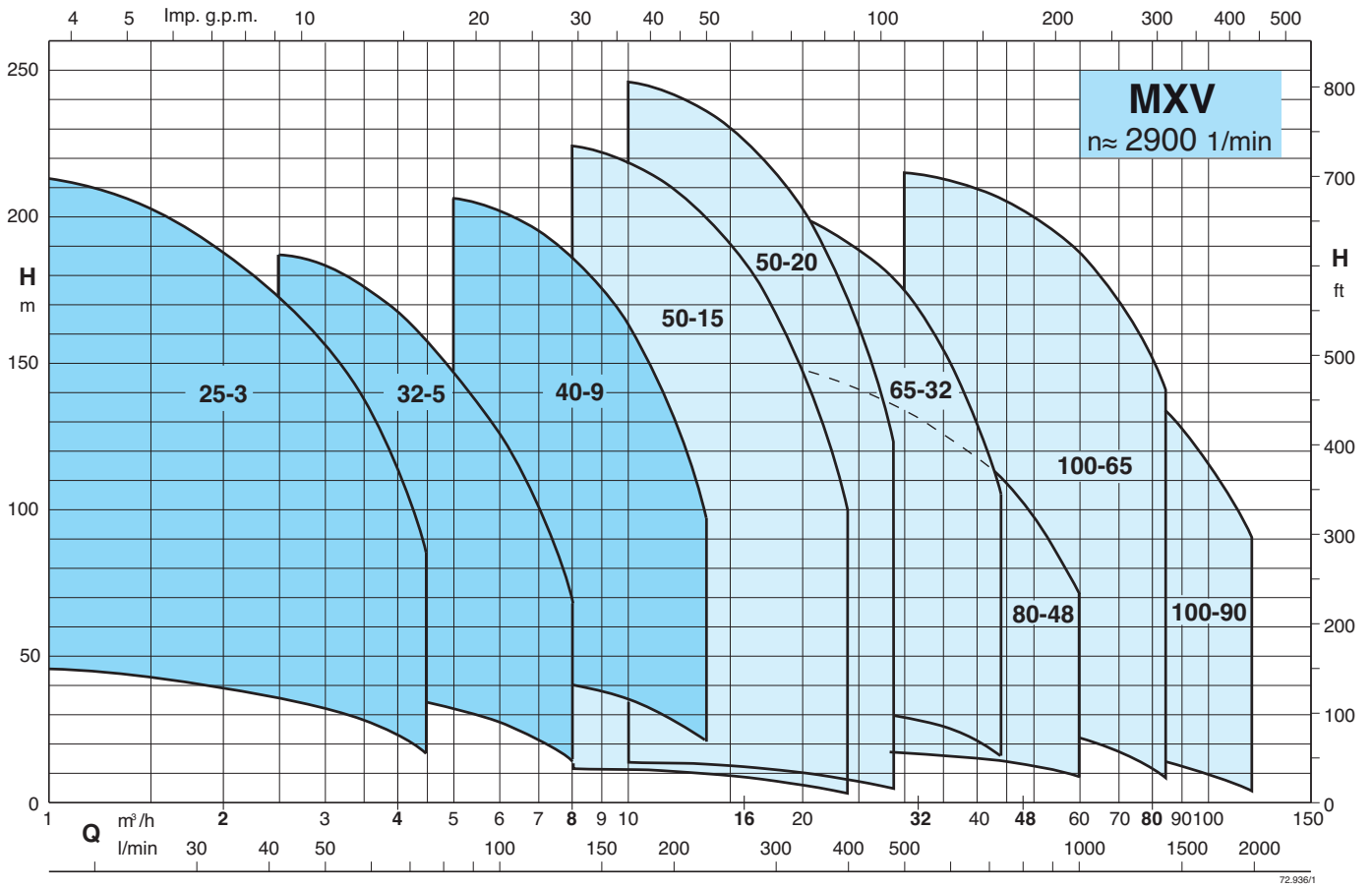
Szivattyú ovális karimás csatlakozással csak az MXV 25,32,40,50 típusokhoz

Szivattyú karimás csatlakozással

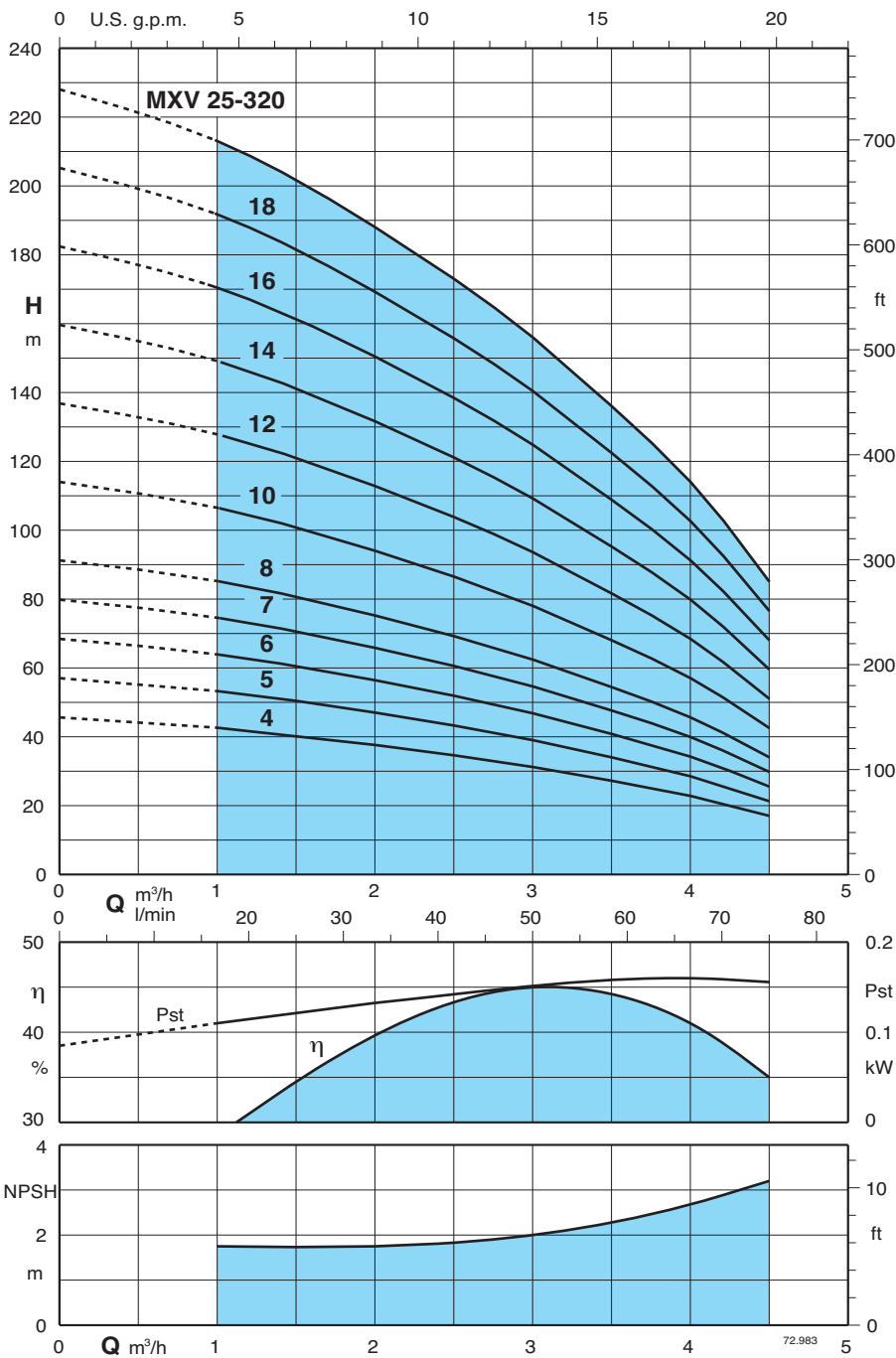
Szerelvényezés:



Coverage chart



Characteristic curves and performance $n \approx 2900$ rpm



Test results with clean cold water, without gas content.

A safety margin of + 0.5 m is recommended for the NPSH value.

Tolerances in accordance with UNI EN ISO 9906:2012

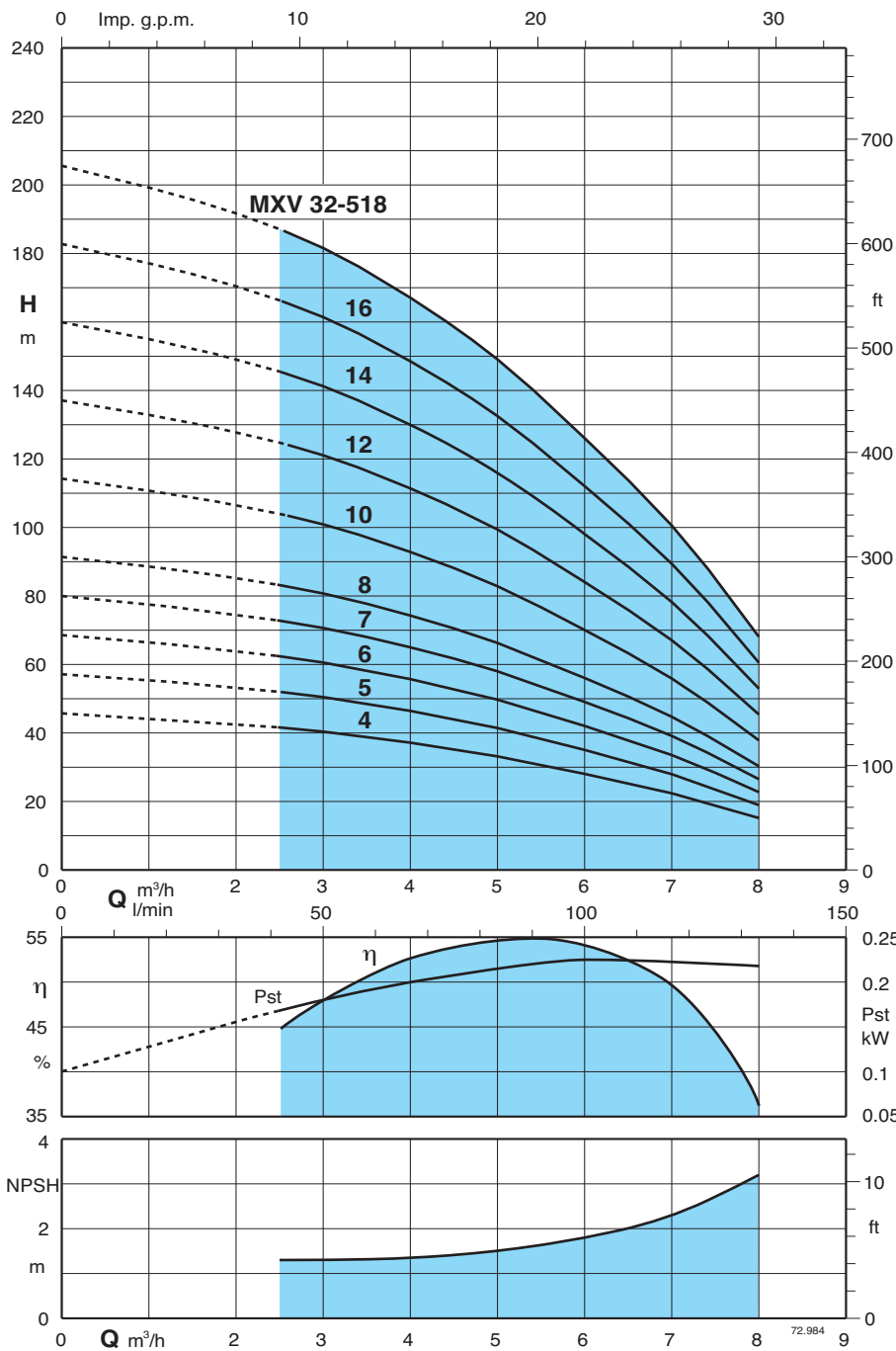
Head and power values valid for liquids with density $\rho = 1,0 \text{ kg/dm}^3$ and kinematic viscosity $\nu = \text{max } 20 \text{ mm}^2/\text{sec}$.

Pst = Power with reference to one stage.

A* Calpeda motor currents

| Pump type | 230 V | | 400 V | | Motor power | | Q m³/h l/min | 0 | 1 | 1,5 | 2 | 2,5 | 3 | 3,5 | 4 | 4,5 |
|------------|-------|-----|-------|-----|-------------|------|-----------------|------|------|------|------|------|------|-----|---|-----|
| | A* | A* | kW | HP | kW | HP | | | | | | | | | | |
| MXV 25-304 | 4 | 2,3 | 0,75 | 1 | H m | 0 | 16,6 | 25 | 33,3 | 41,6 | 50 | 58,3 | 66,6 | 75 | | |
| MXV 25-305 | 4 | 2,3 | 0,75 | 1 | | 44 | 42,5 | 40 | 37,5 | 34,5 | 31 | 27 | 22,5 | 17 | | |
| MXV 25-306 | 4,7 | 2,7 | 1,1 | 1,5 | | 56 | 53 | 50 | 47 | 43 | 39 | 34 | 28 | 21 | | |
| MXV 25-307 | 4,7 | 2,7 | 1,1 | 1,5 | | 68 | 63,5 | 60,5 | 56 | 51,5 | 46,5 | 40,5 | 34 | 25 | | |
| MXV 25-308 | 7,4 | 4,3 | 1,5 | 2 | | 79,5 | 74 | 70,5 | 65,5 | 60 | 54,5 | 47,5 | 39,5 | 30 | | |
| MXV 25-310 | 7,4 | 4,3 | 1,5 | 2 | | 91 | 85 | 80,5 | 75 | 69 | 62 | 54 | 45,5 | 34 | | |
| MXV 25-312 | 9,2 | 5,3 | 2,2 | 3 | | 114 | 106 | 101 | 94 | 86 | 78 | 68 | 57 | 42 | | |
| MXV 25-314 | 9,2 | 5,3 | 2,2 | 3 | | 136 | 127 | 121 | 112 | 103 | 93,5 | 81,5 | 68 | 51 | | |
| MXV 25-316 | 11,4 | 6,6 | 3 | 4 | | 159 | 149 | 141 | 131 | 121 | 109 | 95 | 79,5 | 59 | | |
| MXV 25-318 | 11,4 | 6,6 | 3 | 4 | | 182 | 170 | 161 | 150 | 138 | 124 | 108 | 91 | 68 | | |
| MXV 25-320 | 11,4 | 6,6 | 3 | 4 | | 205 | 191 | 181 | 169 | 155 | 140 | 122 | 102 | 76 | | |
| | | | | | | 228 | 213 | 202 | 188 | 173 | 156 | 136 | 114 | 85 | | |

Characteristic curves and performance $n \approx 2900$ rpm



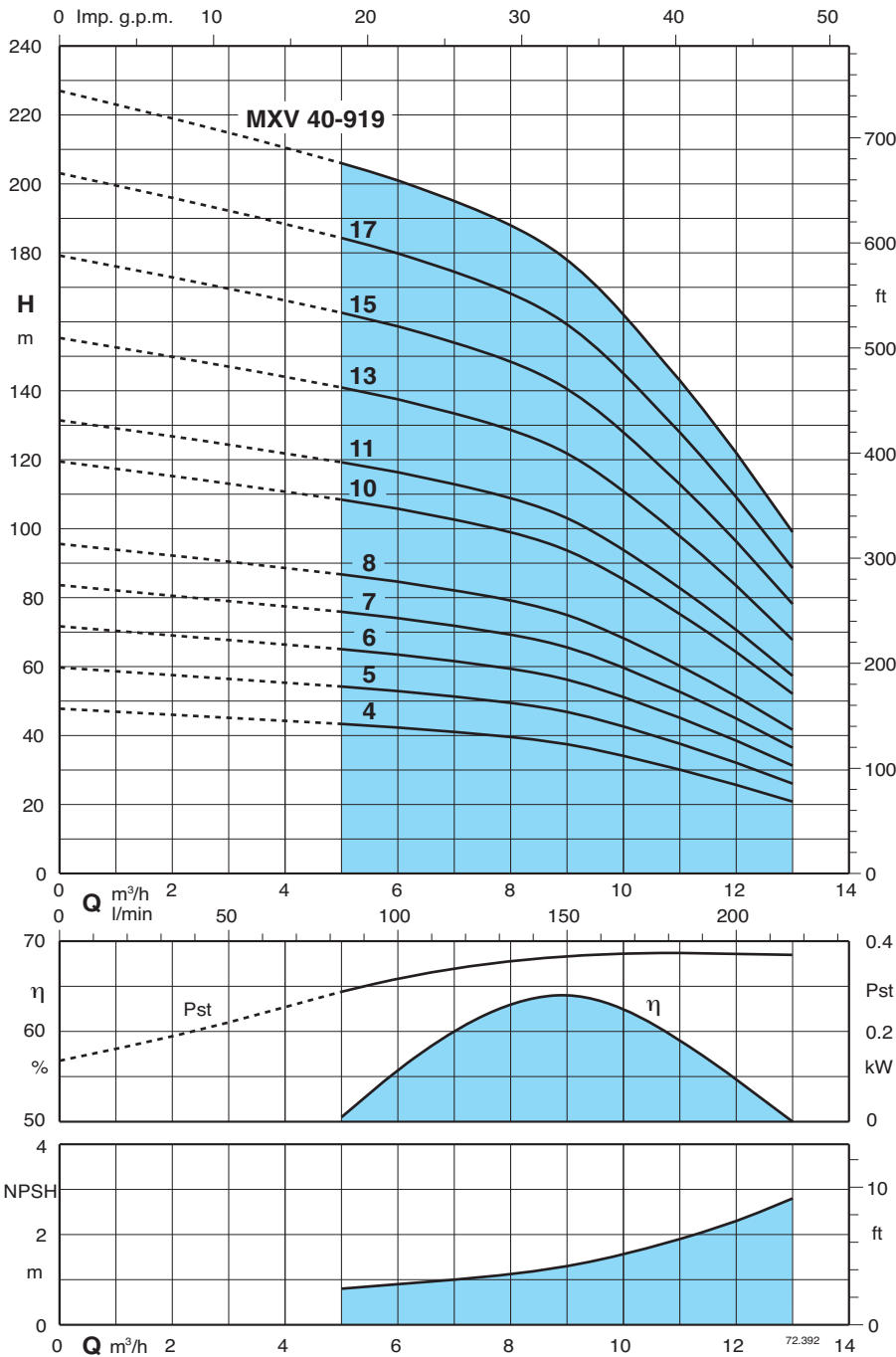
Test results with clean cold water, without gas content.
 A safety margin of + 0.5 m is recommended for the NPSH value.
 Tolerances in accordance with UNI EN ISO 9906:2012

Head and power values valid for liquids with density $\rho = 1,0 \text{ kg/dm}^3$ and kinematic viscosity $\nu = \text{max } 20 \text{ mm}^2/\text{sec}$.

Pst = Power with reference to one stage.
 A* Calpeda motor currents

| Pump type | 230 V | | 400 V | | Motor power | | Q m³/h l/min | H m | | | | | | | | | | |
|------------|-------|-----|-------|-----|-------------|----|--------------------|--------|------|------|------|------|------|------|-------|-------|---|--|
| | A* | A* | A* | A* | kW | HP | | 0 | 2,5 | 3 | 3,5 | 4 | 4,5 | 5 | 6 | 7 | 8 | |
| MXV 32-504 | 4,7 | 2,7 | 1,1 | 1,5 | | | 0 | 41,6 | 50 | 58,3 | 66,6 | 75 | 83,3 | 100 | 116,6 | 133,3 | | |
| MXV 32-505 | 4,7 | 2,7 | 1,1 | 1,5 | | | 45 | 41,5 | 40 | 38,5 | 36,5 | 34,5 | 32,5 | 27,5 | 22 | 14,5 | | |
| MXV 32-506 | 7,4 | 4,3 | 1,5 | 2 | | | 56 | 51,5 | 50 | 48 | 46 | 43,5 | 41 | 34,5 | 27,5 | 18,5 | | |
| MXV 32-507 | 7,4 | 4,3 | 1,5 | 2 | | | 68 | 62 | 60 | 58 | 55,5 | 52,5 | 49,5 | 42 | 33,5 | 22,5 | | |
| MXV 32-508 | 9,2 | 5,3 | 2,2 | 3 | | | 79,5 | 72,5 | 70,5 | 68 | 65 | 61,5 | 58 | 49 | 39 | 26,5 | | |
| MXV 32-510 | 9,2 | 5,3 | 2,2 | 3 | | | 91 | 83 | 80,5 | 78 | 74 | 70 | 66 | 56 | 44,5 | 30 | | |
| MXV 32-512 | 11,4 | 6,6 | 3 | 4 | | | 114 | 104 | 101 | 97,5 | 93 | 88 | 83 | 70 | 56 | 38 | | |
| MXV 32-514 | 11,4 | 6,6 | 3 | 4 | | | 136 | 124 | 121 | 117 | 111 | 105 | 99,5 | 84 | 67 | 45,5 | | |
| MXV 32-516 | | 9,6 | 4 | 5,5 | | | 159 | 145 | 141 | 136 | 130 | 123 | 116 | 98 | 78 | 53 | | |
| MXV 32-518 | | 9,6 | 4 | 5,5 | | | 182 | 166 | 161 | 156 | 148 | 140 | 132 | 112 | 89,5 | 60,5 | | |
| | | | | | | | 205 | 187 | 181 | 175 | 167 | 158 | 149 | 126 | 100 | 68 | | |

Characteristic curves and performance $n \approx 2900$ rpm



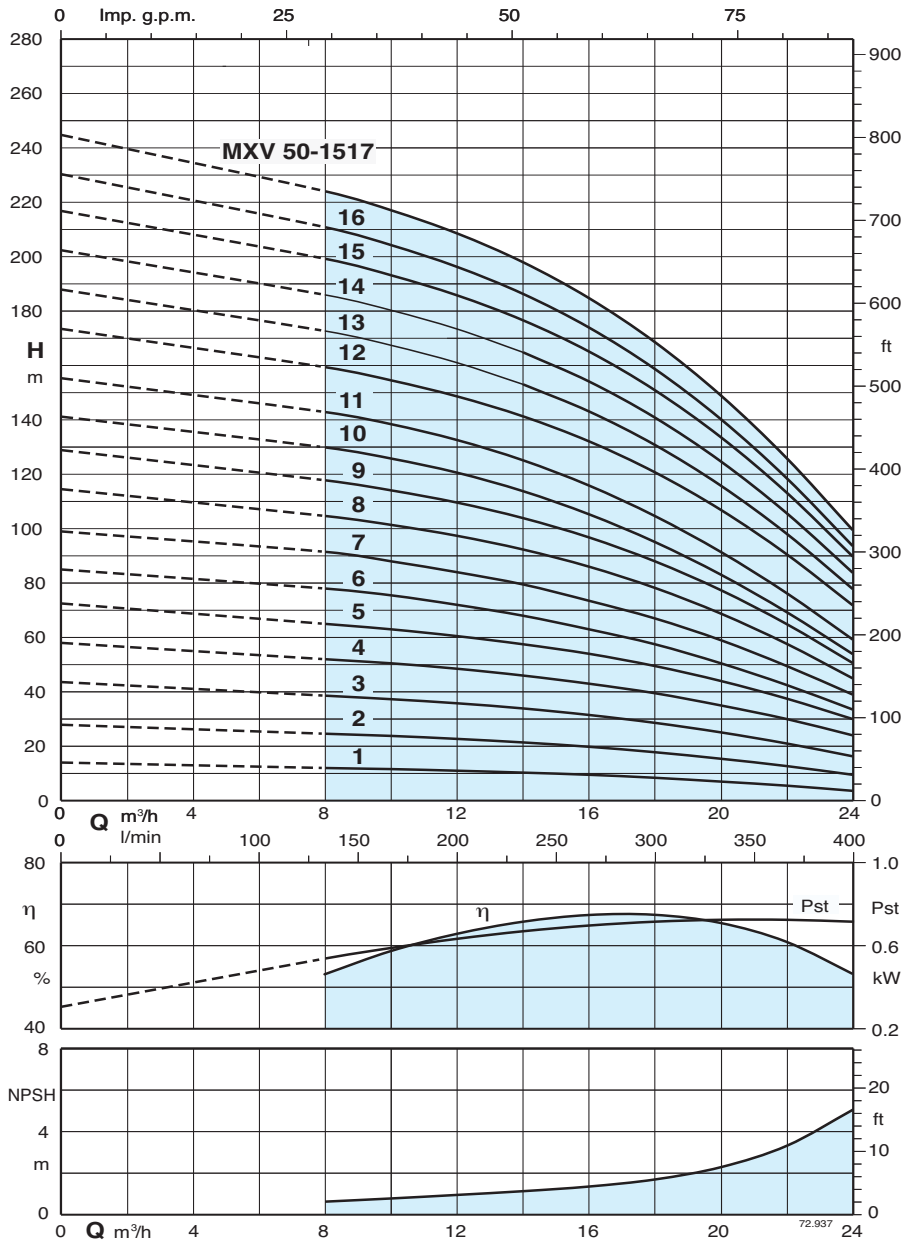
Test results with clean cold water, without gas content.
 A safety margin of + 0.5 m is recommended for the NPSH value.
 Tolerances in accordance with UNI EN ISO 9906:2012

Head and power values valid for liquids with density $\rho = 1,0 \text{ kg/dm}^3$ and kinematic viscosity $\nu = \text{max } 20 \text{ mm}^2/\text{sec}$.

Pst = Power with reference to one stage.
 A* Calpeda motor currents

| Pump type | 230 V | | 400 V | | Motor power | | Q m³/h l/min | 0 | 5 | 6 | 7 | 8 | 9 | 10 | 11 | 12 | 13 | |
|------------|-------|------|-------|-----|-------------|------|--------------------|-------|-------|-----|-------|-------|-----|-------|----|----|----|--|
| | A* | A* | kW | HP | kW | HP | | | | | | | | | | | | |
| MXV 40-904 | 7,4 | 4,3 | 1,5 | 2 | 0 | 83,3 | 100 | 116,6 | 133,3 | 150 | 166,6 | 183,3 | 200 | 216,6 | | | | |
| MXV 40-905 | 9,2 | 5,3 | 2,2 | 3 | 47 | 43 | 42 | 41 | 40 | 37 | 34 | 30 | 26 | 21 | | | | |
| MXV 40-906 | 9,2 | 5,3 | 2,2 | 3 | 59 | 54 | 53 | 51 | 50 | 47 | 43 | 38 | 32 | 26 | | | | |
| MXV 40-907 | 11,4 | 6,6 | 3 | 4 | 71 | 65 | 63 | 62 | 59 | 56 | 51 | 45 | 39 | 31 | | | | |
| MXV 40-908 | 11,4 | 6,6 | 3 | 4 | 83 | 76 | 74 | 72 | 69 | 66 | 60 | 53 | 45 | 36 | | | | |
| MXV 40-910 | | 9,6 | 4 | 5,5 | 95 | 87 | 85 | 82 | 79 | 75 | 69 | 60 | 51 | 42 | | | | |
| MXV 40-911 | | 9,6 | 4 | 5,5 | 119 | 109 | 106 | 103 | 99 | 94 | 86 | 75 | 64 | 52 | | | | |
| MXV 40-913 | | 10,9 | 5,5 | 7,5 | 131 | 119 | 116 | 113 | 109 | 103 | 94 | 83 | 71 | 57 | | | | |
| MXV 40-915 | | 10,9 | 5,5 | 7,5 | 155 | 141 | 138 | 134 | 129 | 122 | 111 | 98 | 84 | 68 | | | | |
| MXV 40-917 | | 14,3 | 7,5 | 10 | 179 | 163 | 159 | 154 | 149 | 141 | 128 | 113 | 96 | 78 | | | | |
| MXV 40-919 | | 14,3 | 7,5 | 10 | 202 | 184 | 180 | 175 | 168 | 159 | 145 | 128 | 109 | 89 | | | | |
| | | | | | 226 | 206 | 201 | 195 | 188 | 178 | 162 | 143 | 122 | 99 | | | | |

Characteristic curves and performance $n \approx 2900$ rpm



Test results with clean cold water, without gas content.

A safety margin of + 0.5 m is recommended for the NPSH value.

Tolerances in accordance with UNI EN ISO 9906:2012

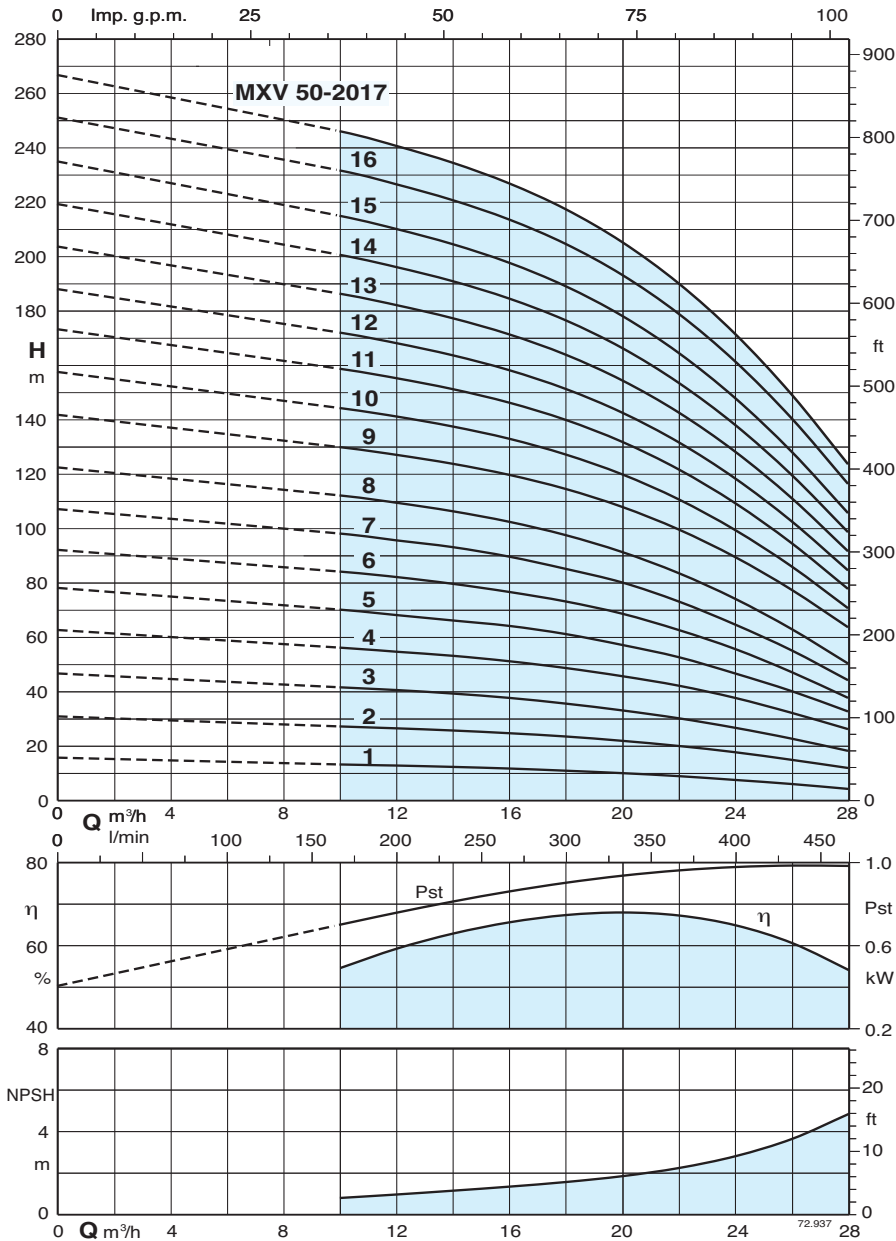
Head and power values valid for liquids with density $\rho = 1,0 \text{ kg/dm}^3$ and kinematic viscosity $\nu = \text{max } 20 \text{ mm}^2/\text{sec}$.

Pst = Power with reference to one stage.

A* Calpeda motor currents

| Pump type | 230 V | | 400 V | | Motor power | | Q m³/h l/min | H | | | | | | | | | | | |
|---------------|-------|------|-------|------|-------------|----|--------------------|-------|-------|------|------|------|------|------|------|------|----|--|--|
| | A* | A* | A* | A* | kW | HP | | 0 | 8 | 10 | 12 | 14 | 16 | 18 | 20 | 22 | 24 | | |
| MXV 50-1501 | 4,7 | 2,7 | 1,1 | 1,5 | | | 0 | 133,3 | 166,6 | 200 | 233 | 266 | 300 | 333 | 366 | 400 | | | |
| MXV 50-1502 | 7,4 | 4,3 | 1,5 | 2 | | | 14,0 | 12,0 | 11,6 | 11,0 | 10,3 | 9,5 | 8,4 | 7,0 | 5,5 | 3,6 | | | |
| MXV 50-1503/A | 9,2 | 5,3 | 2,2 | 3 | | | 27,9 | 24,6 | 23,8 | 22,7 | 21,4 | 19,8 | 17,8 | 15,4 | 12,7 | 9,5 | | | |
| MXV 50-1504 | 11,4 | 6,6 | 3 | 4 | | | 43,6 | 38,6 | 37,3 | 35,8 | 33,9 | 31,5 | 28,6 | 25,1 | 21,0 | 16,3 | | | |
| MXV 50-1505 | | 9,6 | 4 | 5,5 | | | 58,0 | 52,0 | 50,5 | 48,5 | 46,0 | 43,0 | 39,5 | 35,0 | 30,0 | 24,0 | | | |
| MXV 50-1506 | | 10,9 | 5,5 | 7,5 | | | 72,5 | 65,0 | 63,0 | 60,5 | 57,5 | 54,0 | 49,5 | 44,0 | 37,5 | 30,0 | | | |
| MXV 50-1507 | | 10,9 | 5,5 | 7,5 | | | 85,0 | 78,0 | 75,5 | 72,0 | 68,0 | 63,0 | 57,5 | 50,5 | 42,5 | 33,5 | | | |
| MXV 50-1508/A | | 10,9 | 5,5 | 7,5 | | | 99,0 | 91,5 | 88,0 | 84,0 | 79,5 | 73,5 | 67,0 | 59,0 | 49,5 | 39,0 | | | |
| MXV 50-1509 | | 14,3 | 7,5 | 10 | | | 115 | 105 | 101 | 97 | 92 | 86 | 78 | 69 | 58 | 45 | | | |
| MXV 50-1510 | | 14,3 | 7,5 | 10 | | | 129 | 118 | 114 | 110 | 104 | 97 | 88 | 77 | 65 | 51 | | | |
| MXV 50-1511 | | 18,5 | 9,2 | 12,5 | | | 141 | 130 | 126 | 121 | 114 | 105 | 95 | 83 | 69 | 54 | | | |
| MXV 50-1512 | | 18,5 | 9,2 | 12,5 | | | 155 | 143 | 138 | 133 | 125 | 116 | 105 | 91 | 76 | 59 | | | |
| MXV 50-1513 | | 21,5 | 11 | 15 | | | 173 | 159 | 155 | 149 | 141 | 132 | 121 | 107 | 91 | 72 | | | |
| MXV 50-1514 | | 21,5 | 11 | 15 | | | 188 | 173 | 167 | 161 | 153 | 143 | 131 | 116 | 98 | 78 | | | |
| MXV 50-1515 | | 21,5 | 11 | 15 | | | 202 | 186 | 180 | 173 | 165 | 154 | 141 | 125 | 106 | 84 | | | |
| MXV 50-1516 | | 27,3 | 15 | 20 | | | 217 | 199 | 193 | 186 | 177 | 165 | 151 | 134 | 113 | 90 | | | |
| MXV 50-1517 | | 27,3 | 15 | 20 | | | 230 | 211 | 204 | 196 | 186 | 174 | 159 | 140 | 119 | 94 | | | |
| | | | | | | | 245 | 224 | 217 | 209 | 198 | 185 | 169 | 149 | 126 | 100 | | | |

Characteristic curves and performance $n \approx 2900$ rpm



Test results with clean cold water, without gas content.

A safety margin of + 0.5 m is recommended for the NPSH value.

Tolerances in accordance with UNI EN ISO 9906:2012

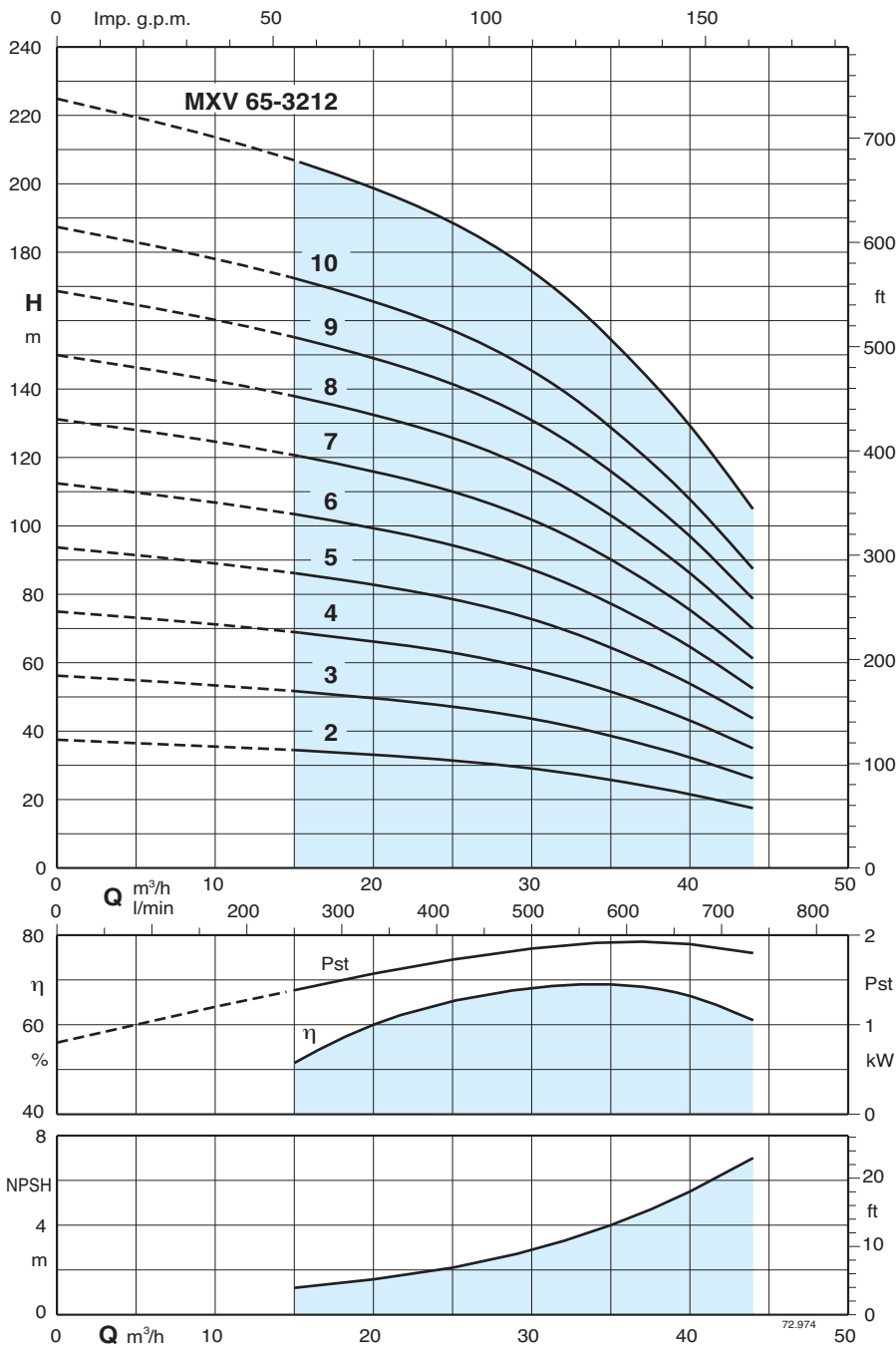
Head and power values valid for liquids with density $\rho = 1,0 \text{ kg/dm}^3$ and kinematic viscosity $\nu = \text{max } 20 \text{ mm}^2/\text{sec}$.

Pst = Power with reference to one stage.

A* Calpeda motor currents

| Pump type | 230 V | | 400 V | | Motor power | | Q m³/h l/min | H | | | | | | | | | | | | | | |
|-------------|-------|------|-------|------|-------------|------|--------------------|-------|------|------|------|------|------|------|------|------|------|----|--|--|--|--|
| | A* | A* | A* | A* | kW | HP | | 0 | 10 | 12 | 14 | 16 | 18 | 20 | 22 | 24 | 26 | 28 | | | | |
| MXV 50-2001 | 4,7 | 2,7 | 1,1 | 1,5 | 1,1 | 1,5 | 0 | 166,6 | 200 | 233 | 266 | 300 | 333 | 366 | 400 | 433 | 466 | | | | | |
| MXV 50-2002 | 9,2 | 5,3 | 2,2 | 3 | 2,2 | 3 | 15,5 | 13,0 | 12,6 | 12,1 | 11,5 | 10,7 | 9,8 | 8,7 | 7,3 | 5,8 | 4,0 | | | | | |
| MXV 50-2003 | 11,4 | 6,6 | 3 | 4 | 2,2 | 3 | 30,7 | 27,0 | 26,3 | 25,5 | 24,5 | 23,3 | 21,7 | 19,8 | 17,5 | 14,7 | 11,7 | | | | | |
| MXV 50-2004 | | 9,6 | 4 | 5,5 | 3 | 4 | 46,5 | 41,4 | 40,4 | 39,1 | 37,5 | 35,4 | 32,9 | 30,0 | 26,5 | 22,5 | 18,0 | | | | | |
| MXV 50-2005 | | 10,9 | 5,5 | 7,5 | 4 | 5,5 | 62,5 | 56,0 | 54,5 | 53,0 | 51,0 | 48,5 | 45,5 | 42,0 | 37,5 | 32,0 | 26,0 | | | | | |
| MXV 50-2006 | | 14,3 | 7,5 | 10 | 5,5 | 7,5 | 78,0 | 70,0 | 68,0 | 66,0 | 64,0 | 61,0 | 57,0 | 52,5 | 46,5 | 40,0 | 32,5 | | | | | |
| MXV 50-2007 | | 14,3 | 7,5 | 10 | 7,5 | 10 | 92,0 | 84,0 | 82,0 | 79,5 | 76,5 | 73,0 | 68,5 | 62,5 | 55,5 | 47,0 | 37,5 | | | | | |
| MXV 50-2008 | | 18,5 | 9,2 | 12,5 | 7,5 | 10 | 107,0 | 98,0 | 95,5 | 93,0 | 89,5 | 85,0 | 80,0 | 73,0 | 64,5 | 55,0 | 44,0 | | | | | |
| MXV 50-2009 | | 18,5 | 9,2 | 12,5 | 9,2 | 12,5 | 122 | 112 | 109 | 106 | 102 | 97 | 91 | 83 | 74 | 63 | 50 | | | | | |
| MXV 50-2010 | | 21,5 | 11 | 15 | 9,2 | 12,5 | 142 | 130 | 127 | 124 | 120 | 114 | 108 | 100 | 89 | 77 | 63 | | | | | |
| MXV 50-2011 | | 21,5 | 11 | 15 | 11 | 15 | 158 | 144 | 141 | 137 | 133 | 127 | 120 | 111 | 99 | 86 | 71 | | | | | |
| MXV 50-2012 | | 27,3 | 15 | 20 | 11 | 15 | 173 | 159 | 155 | 151 | 146 | 140 | 132 | 122 | 109 | 94 | 78 | | | | | |
| MXV 50-2013 | | 27,3 | 15 | 20 | 15 | 20 | 188 | 172 | 168 | 164 | 158 | 151 | 143 | 132 | 118 | 103 | 84 | | | | | |
| MXV 50-2014 | | 27,3 | 15 | 20 | 15 | 20 | 204 | 186 | 182 | 177 | 171 | 164 | 154 | 143 | 128 | 111 | 91 | | | | | |
| MXV 50-2015 | | 27,3 | 15 | 20 | 15 | 20 | 219 | 201 | 196 | 191 | 185 | 177 | 166 | 154 | 138 | 120 | 99 | | | | | |
| MXV 50-2016 | | 34 | 18,5 | 25 | 15 | 20 | 235 | 215 | 210 | 205 | 198 | 189 | 178 | 165 | 148 | 128 | 106 | | | | | |
| MXV 50-2017 | | 34 | 18,5 | 25 | 18,5 | 25 | 251 | 232 | 227 | 221 | 214 | 205 | 193 | 179 | 161 | 140 | 116 | | | | | |
| | | | | | 18,5 | 25 | 267 | 246 | 241 | 235 | 227 | 217 | 205 | 190 | 172 | 149 | 124 | | | | | |

Characteristic curves and performance $n \approx 2900$ rpm



Test results with clean cold water, without gas content.

A safety margin of + 0.5 m is recommended for the NPSH value.

Tolerances in accordance with UNI EN ISO 9906:2012

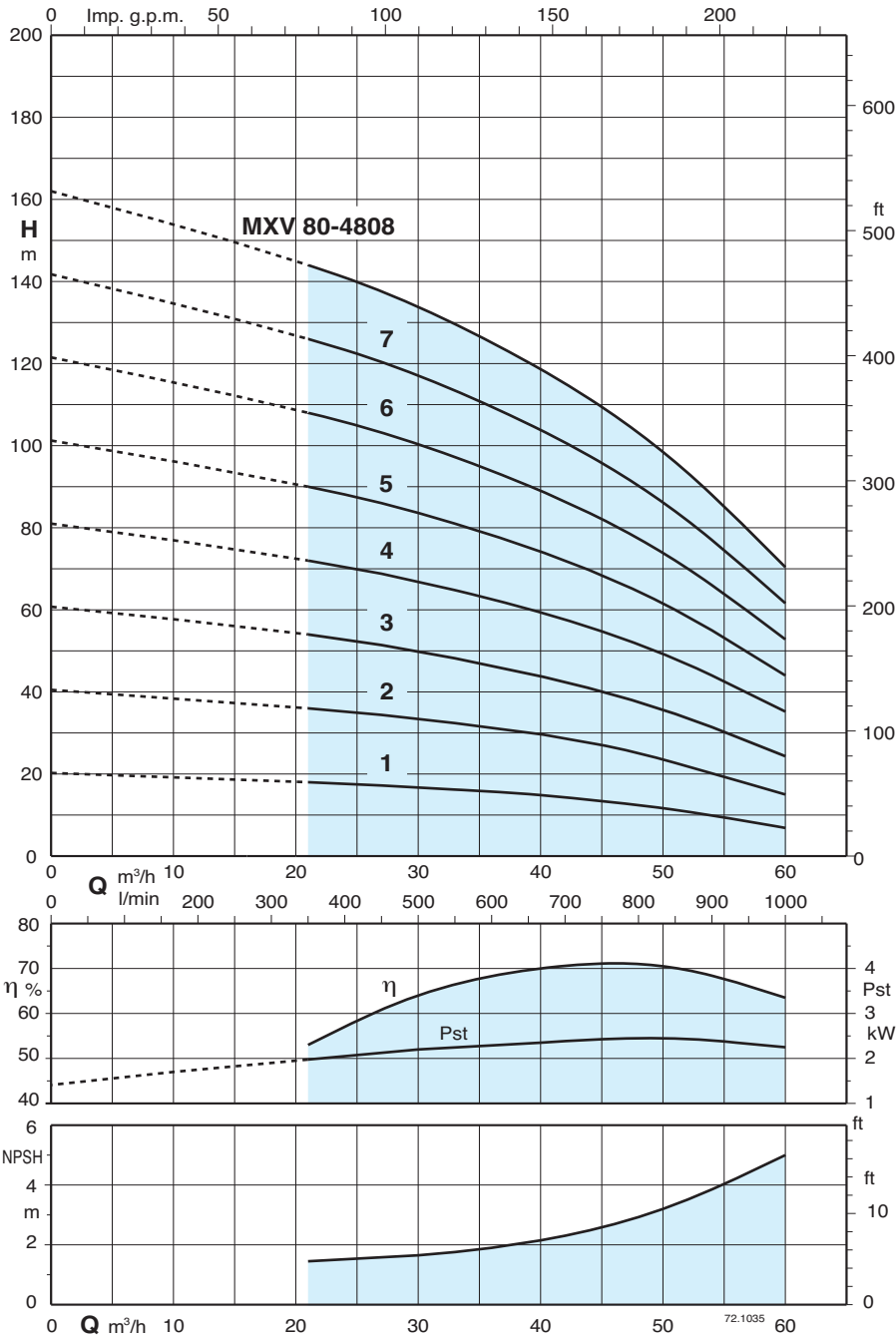
Head and power values valid for liquids with density $\rho = 1,0 \text{ kg/dm}^3$ and kinematic viscosity $\nu = \text{max } 20 \text{ mm}^2/\text{sec}$.

Pst = Power with reference to one stage.

A* Calpeda motor currents

| Pump type | 230 V | | 400 V | | Motor power | | Flow rate (Q) | | | | | | | | | | |
|---------------|-------|----|-------|------|-------------|------|---------------|------|------|-----|------|------|------|------|------|--|--|
| | A* | A* | kW | HP | 0 | 15 | 21 | 24 | 27 | 30 | 33 | 36 | 39 | 44 | | | |
| MXV 65-3202/D | | | 9,6 | 4 | 5,5 | 0 | 15 | 21 | 24 | 27 | 30 | 33 | 36 | 39 | 44 | | |
| MXV 65-3203/C | | | 10,9 | 5,5 | 7,5 | 0 | 250 | 350 | 400 | 450 | 500 | 550 | 600 | 650 | 733 | | |
| MXV 65-3204/C | | | 14,3 | 7,5 | 10 | 37 | 34 | 32 | 31 | 30 | 29 | 27 | 24,5 | 22 | 17 | | |
| MXV 65-3205/D | | | 21,5 | 11 | 15 | 55,5 | 51 | 49 | 47,5 | 46 | 43,5 | 40,5 | 37 | 33,5 | 25,5 | | |
| MXV 65-3206/D | | | 21,5 | 11 | 15 | 75 | 69 | 65,5 | 63,5 | 61 | 58,5 | 54,5 | 50 | 45 | 35 | | |
| MXV 65-3207/D | | | 27,3 | 15 | 20 | 93,5 | 86 | 82 | 79,5 | 77 | 73 | 68 | 62,5 | 56,5 | 44 | | |
| MXV 65-3208/D | | | 27,3 | 15 | 20 | 112 | 103 | 98,5 | 95,5 | 92 | 87 | 82 | 75 | 67,5 | 52,5 | | |
| MXV 65-3209/E | | | 34 | 18,5 | 25 | 131 | 121 | 115 | 111 | 107 | 102 | 95,5 | 87,5 | 79 | 61,5 | | |
| MXV 65-3210/E | | | 34 | 18,5 | 25 | 150 | 138 | 131 | 127 | 123 | 116 | 109 | 100 | 90 | 70 | | |
| MXV 65-3212/D | | | 41 | 22 | 30 | 168 | 155 | 148 | 143 | 138 | 130 | 122 | 112 | 101 | 79 | | |
| | | | | | | 187 | 172 | 164 | 159 | 154 | 145 | 136 | 125 | 112 | 87,5 | | |
| | | | | | | 225 | 207 | 197 | 191 | 185 | 174 | 163 | 150 | 135 | 105 | | |

Characteristic curves and performance $n \approx 2900$ rpm



Test results with clean cold water, without gas content.

A safety margin of + 0.5 m is recommended for the NPSH value.

Tolerances in accordance with UNI EN ISO 9906:2012

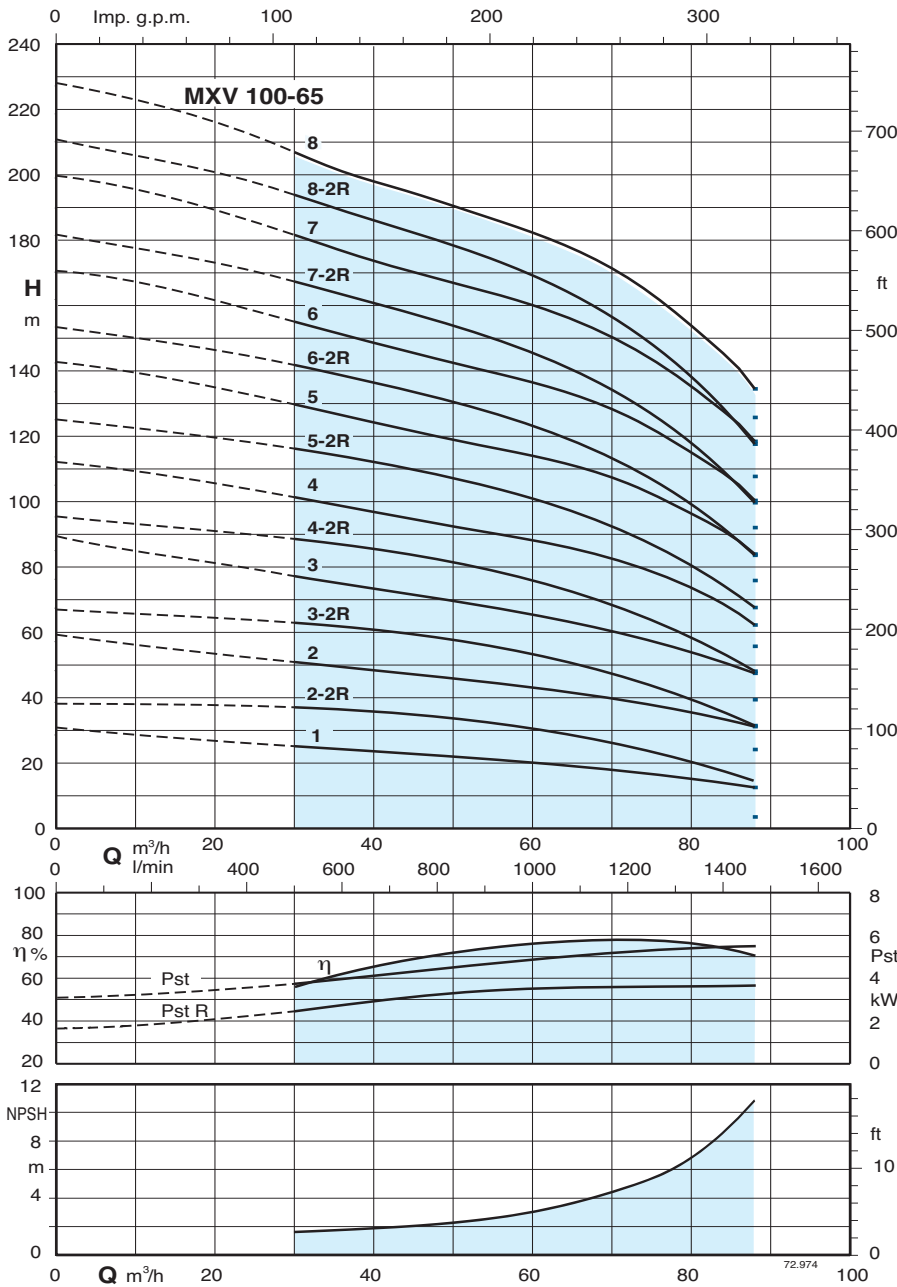
Head and power values valid for liquids with density $\rho = 1,0 \text{ kg/dm}^3$ and kinematic viscosity $\nu = \text{max } 20 \text{ mm}^2/\text{sec}$.

Pst = Power with reference to one stage.

A* Calpeda motor currents

| Pump type | 230 V | | 400 V | | Motor power | | Q m ³ /h l/min | H m | | | | | | | | | |
|---------------|-------|----|-------|----|-------------|-----|---------------------------------|--------|-----|------|------|------|------|------|------|-----|------|
| | A* | A* | A* | A* | kW | HP | | 0 | 21 | 27 | 33 | 39 | 45 | 48 | 51 | 54 | 60 |
| MXV 80-4801/D | | | 9,6 | | 4 | 5,5 | 0 | 20 | 18 | 17 | 16 | 15 | 13 | 12 | 10,7 | 9,5 | 7 |
| MXV 80-4802/C | | | 10,9 | | 5,5 | 7,5 | 0 | 40,5 | 36 | 34,5 | 32,5 | 29,5 | 26,5 | 24,5 | 22 | 20 | 15,5 |
| MXV 80-4803/C | | | 14,3 | | 7,5 | 10 | 0 | 61 | 54 | 51 | 48 | 44 | 40 | 37 | 34 | 31 | 24,5 |
| MXV 80-4804/D | | | 21,5 | | 11 | 15 | 0 | 81 | 72 | 69 | 65 | 60 | 55 | 51,5 | 48 | 44 | 35 |
| MXV 80-4805/D | | | 27,3 | | 15 | 20 | 0 | 101 | 90 | 86 | 81 | 75 | 68,5 | 64,5 | 60 | 55 | 44 |
| MXV 80-4806/D | | | 27,3 | | 15 | 20 | 0 | 121 | 108 | 103 | 97 | 90 | 82 | 77,5 | 72 | 66 | 53 |
| MXV 80-4807/E | | | 34 | | 18,5 | 25 | 0 | 142 | 126 | 120 | 113 | 105 | 96 | 90 | 84 | 77 | 61,5 |
| MXV 80-4808/D | | | 41 | | 22 | 30 | 0 | 162 | 144 | 137 | 129 | 120 | 109 | 103 | 96 | 88 | 70,5 |

Characteristic curves and performance $n \approx 2900$ rpm



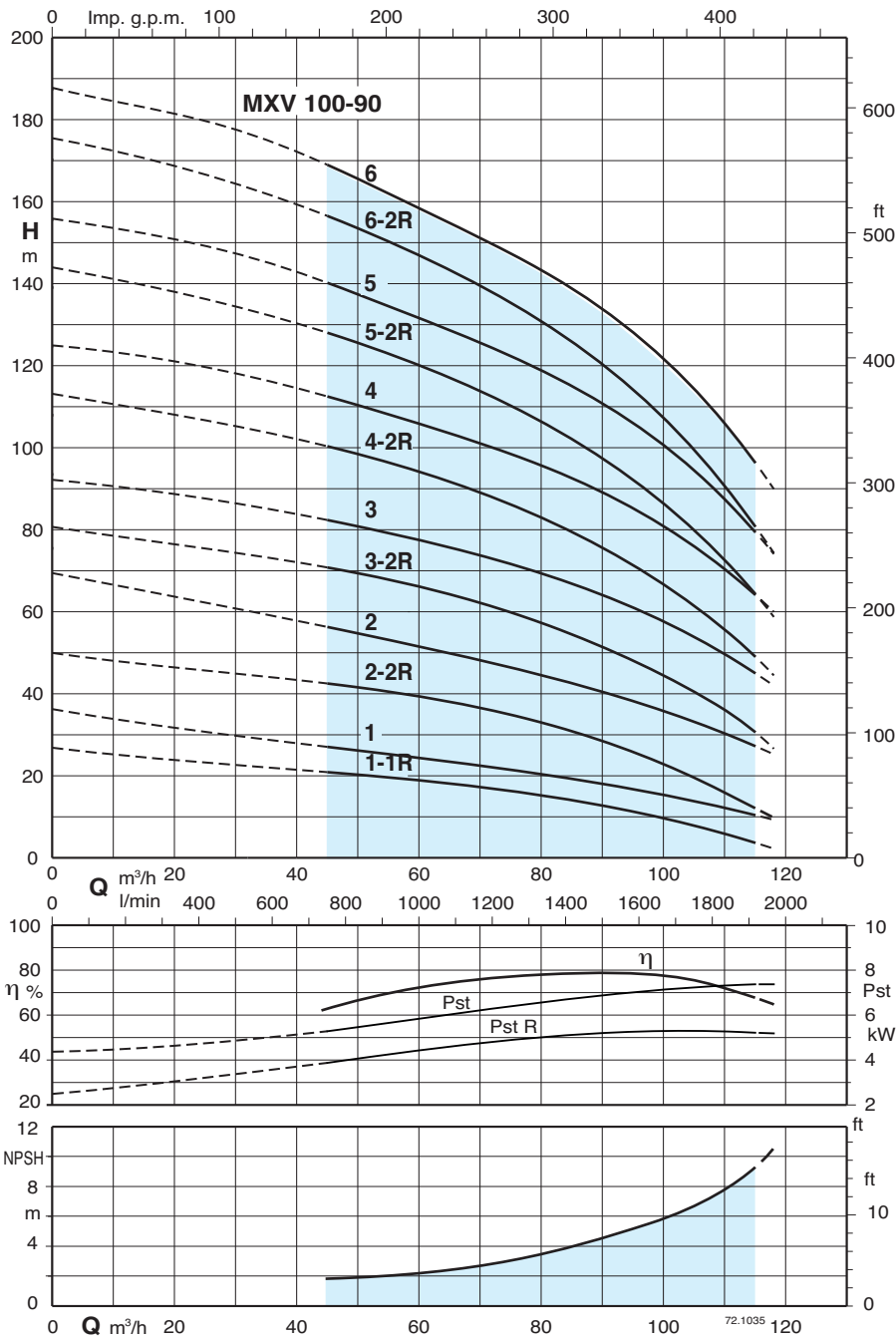
Test results with clean cold water, without gas content.
 A safety margin of + 0.5 m is recommended for the NPSH value.
 Tolerances in accordance with UNI EN ISO 9906:2012

Head and power values valid for liquids with density $\rho = 1,0 \text{ kg/dm}^3$ and kinematic viscosity $\nu = \text{max } 20 \text{ mm}^2/\text{sec}$.

Pst = Power with reference to one stage.
 A* Calpeda motor currents

| Pump type | 400 V A* | Motor power | | Q m³/h l/min | H m | | | | | | | | | |
|----------------------|-------------|-------------|-----|--------------------|--------|-------|-------|-------|-------|-------|-------|-------|------|--|
| | | kW | HP | | 0 | 30 | 40 | 45 | 50 | 60 | 70 | 80 | 88 | |
| MXV(L) 100-6501/A | 10,9 | 5,5 | 7,5 | 0 | 0 | 500 | 666 | 750 | 833 | 1000 | 1166 | 1333 | 1466 | |
| MXV(L) 100-6502-2R/A | 14,3 | 7,5 | 10 | 30,2 | 24,8 | 23,0 | 22,3 | 21,7 | 20,3 | 18,3 | 15,4 | 12,2 | | |
| MXV(L) 100-6502/A | 21,5 | 11 | 15 | 38,9 | 37,2 | 35,8 | 34,8 | 33,8 | 30,5 | 25,8 | 20,3 | 14,6 | | |
| MXV(L) 100-6503-2R/A | 27,3 | 15 | 20 | 59,3 | 51,2 | 48,0 | 46,8 | 45,5 | 43,2 | 39,9 | 35,3 | 30,8 | | |
| MXV(L) 100-6503/B | 34 | 18,5 | 25 | 67,3 | 63,0 | 60,6 | 59,1 | 57,6 | 53,4 | 47,2 | 39,5 | 31,4 | | |
| MXV(L) 100-6504-2R/B | 34 | 18,5 | 25 | 89,6 | 77,6 | 72,8 | 70,9 | 69,0 | 65,7 | 60,7 | 53,9 | 47,2 | | |
| MXV(L) 100-6504/A | 41 | 22 | 30 | 95,5 | 88,6 | 85,1 | 83,2 | 81,1 | 76,0 | 68,3 | 58,5 | 47,9 | | |
| MXV(L) 100-6505-2R/A | 53 | 30 | 40 | 111,8 | 100,8 | 96,7 | 94,5 | 92,4 | 88,4 | 82,3 | 73,3 | 62,9 | | |
| MXV(L) 100-6505/A | 53 | 30 | 40 | 125,3 | 116,2 | 111,8 | 109,5 | 107,0 | 101,1 | 92,1 | 80,4 | 68,0 | | |
| MXV(L) 100-6506-2R/A | 53 | 30 | 40 | 142,4 | 129,2 | 124,0 | 121,5 | 119,0 | 114,1 | 106,9 | 96,3 | 84,6 | | |
| MXV(L) 100-6506/A | 65 | 37 | 50 | 153,5 | 141,6 | 136,2 | 133,3 | 130,3 | 123,4 | 112,9 | 99,0 | 84,1 | | |
| MXV(L) 100-6507-2R/A | 65 | 37 | 50 | 170,6 | 154,7 | 148,5 | 145,4 | 142,3 | 136,5 | 127,8 | 115,0 | 100,9 | | |
| MXV(L) 100-6507/A | 78 | 45 | 60 | 181,7 | 167,0 | 160,6 | 157,2 | 153,6 | 145,7 | 133,7 | 117,7 | 100,3 | | |
| MXV(L) 100-6508-2R/A | 78 | 45 | 60 | 199,5 | 181,1 | 173,8 | 170,3 | 166,7 | 160,0 | 149,9 | 135,1 | 118,9 | | |
| MXV(L) 100-6508/A | 78 | 45 | 60 | 210,6 | 193,5 | 186,0 | 182,2 | 178,1 | 169,3 | 156,0 | 137,9 | 118,4 | | |
| MXV(L) 100-6508/A | 78 | 45 | 60 | 227,7 | 206,5 | 198,2 | 194,1 | 190,1 | 182,3 | 170,7 | 153,8 | 135,1 | | |

Characteristic curves and performance $n \approx 2900$ rpm



Test results with clean cold water, without gas content.

A safety margin of + 0.5 m is recommended for the NPSH value.

Tolerances in accordance with UNI EN ISO 9906:2012

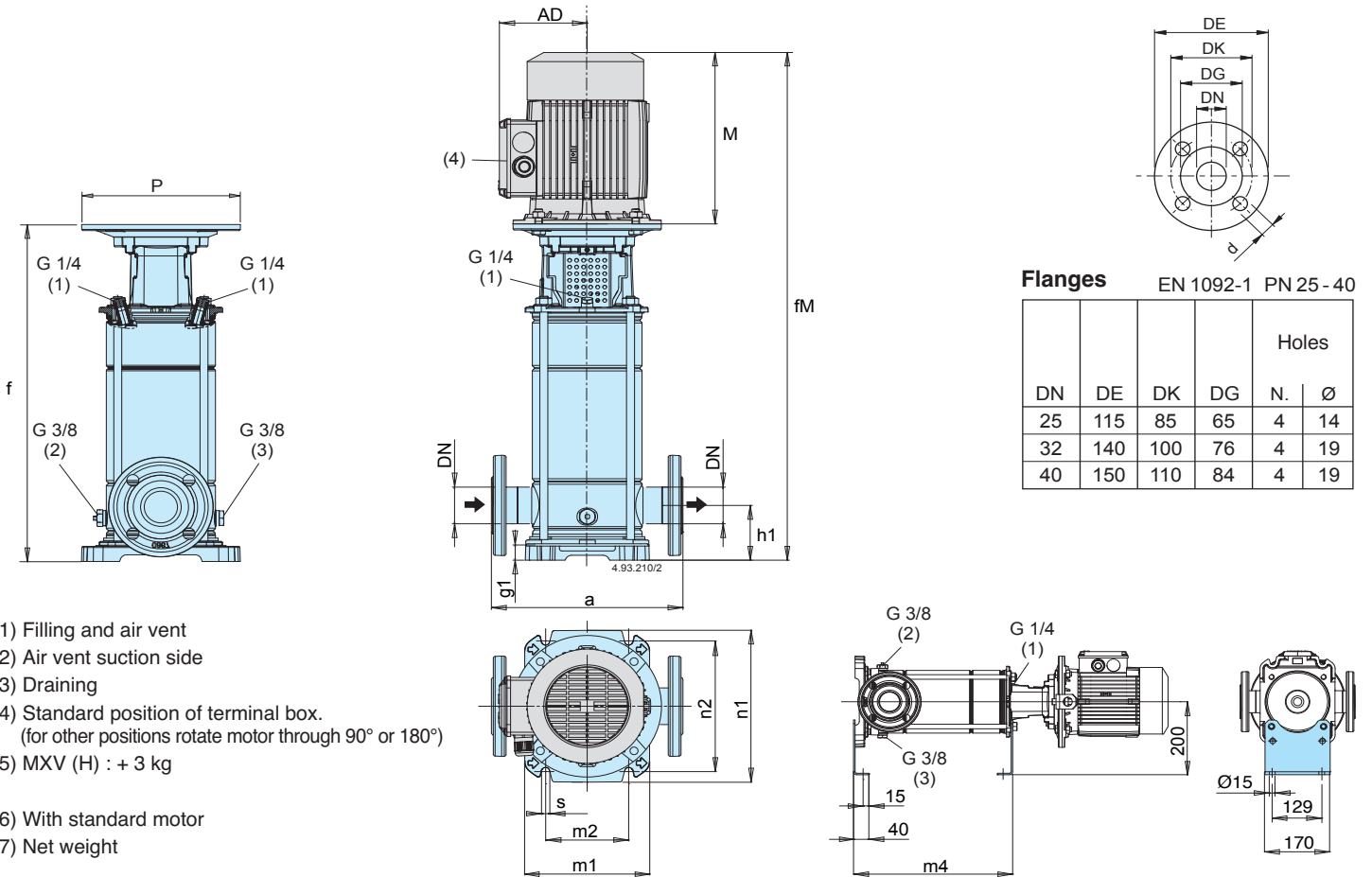
Head and power values valid for liquids with density $\rho = 1,0 \text{ kg/dm}^3$ and kinematic viscosity $\nu = \text{max } 20 \text{ mm}^2/\text{sec}$.

Pst = Power with reference to one stage.

A* Calpeda motor currents

| Pump type | 400 V | | Motor power | | Q m ³ /h l/min | 0 | 45 | 50 | 60 | 70 | 80 | 88 | 100 | 110 | 115 |
|----------------------|-------|------|-------------|--------|-----------------------------------|-------|-------|-------|-------|-------|-------|-------|-------|-------|------|
| | A* | kW | HP | | | | | | | | | | | | |
| MXV(L) 100-9001-1R/A | 10,9 | 5,5 | 7,5 | H m | 0 | 26,4 | 20,5 | 19,9 | 18,7 | 17,3 | 15,5 | 13,2 | 9,5 | 5,7 | 3,5 |
| MXV(L) 100-9001/A | 14,3 | 7,5 | 10 | | 45 | 35,6 | 27,0 | 25,6 | 23,2 | 21,9 | 20,4 | 18,8 | 15,7 | 12,4 | 10,5 |
| MXV(L) 100-9002-2R/A | 21,5 | 11 | 15 | | 50 | 49,6 | 42,4 | 41,3 | 39,0 | 36,6 | 33,2 | 29,4 | 22,7 | 15,7 | 11,7 |
| MXV(L) 100-9002/A | 27,3 | 15 | 20 | | 60 | 69,2 | 56,6 | 54,5 | 50,5 | 47,3 | 44,3 | 41,6 | 36,3 | 30,5 | 27,3 |
| MXV(L) 100-9003-2R/B | 34 | 18,5 | 25 | | 70 | 80,4 | 70,8 | 69,1 | 65,6 | 62,2 | 57,7 | 53,0 | 44,3 | 34,9 | 30,4 |
| MXV(L) 100-9003/A | 41 | 22 | 30 | | 80 | 92,4 | 82,6 | 80,6 | 76,7 | 73,2 | 69,4 | 65,5 | 57,8 | 49,7 | 45,2 |
| MXV(L) 100-9004-2R/A | 53 | 30 | 40 | | 88 | 113,1 | 100,6 | 98,2 | 93,5 | 89,0 | 83,5 | 77,5 | 66,5 | 54,6 | 48,5 |
| MXV(L) 100-9004/A | 53 | 30 | 40 | | 100 | 125,6 | 113,0 | 110,4 | 105,2 | 100,6 | 95,7 | 90,7 | 80,8 | 70,2 | 64,4 |
| MXV(L) 100-9005-2R/A | 65 | 37 | 50 | | 110 | 144,1 | 128,4 | 125,4 | 119,3 | 113,7 | 106,9 | 99,7 | 86,1 | 71,6 | 64,1 |
| MXV(L) 100-9005/A | 65 | 37 | 50 | | 115 | 156,6 | 140,7 | 137,4 | 130,9 | 125,2 | 119,1 | 112,8 | 100,3 | 87,1 | 79,8 |
| MXV(L) 100-9006-2R/A | 78 | 45 | 60 | | 0 | 175,9 | 157,0 | 153,4 | 146,1 | 139,3 | 131,4 | 122,9 | 107,0 | 89,8 | 80,8 |
| MXV(L) 100-9006/A | 78 | 45 | 60 | | 72.1035 | 188,4 | 169,5 | 165,6 | 157,8 | 150,9 | 143,6 | 136,2 | 121,3 | 105,5 | 96,7 |

Dimensions and weights

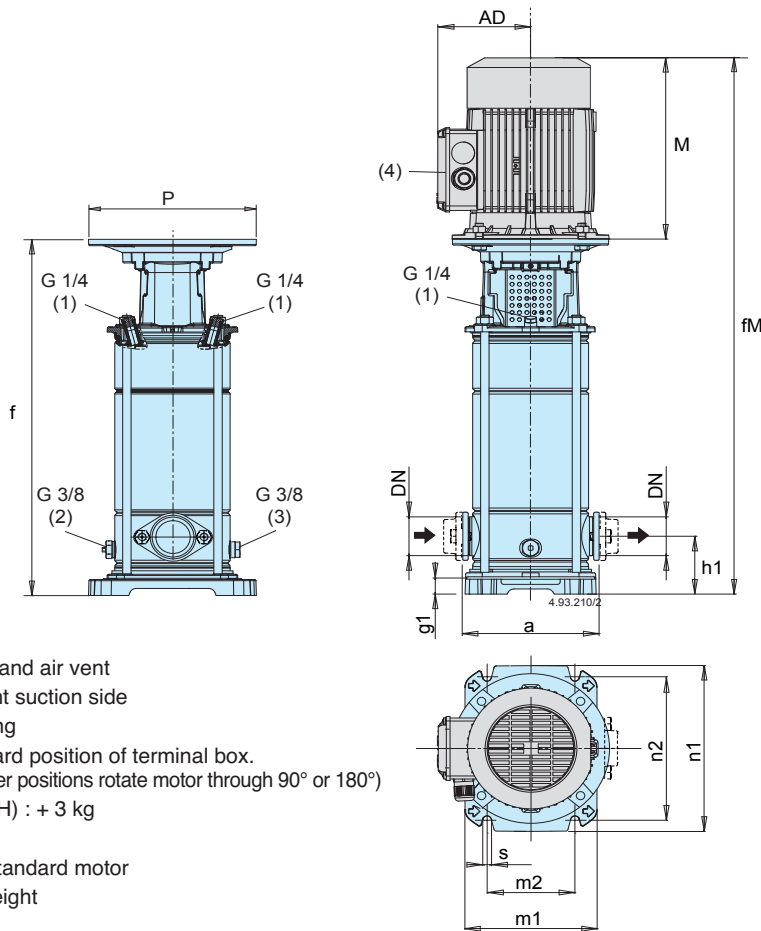


Flanges EN 1092-1 PN 25 - 40

| DN | DE | DK | DG | Holes | |
|----|-----|-----|----|-------|----|
| | | | | N. | Ø |
| 25 | 115 | 85 | 65 | 4 | 14 |
| 32 | 140 | 100 | 76 | 4 | 19 |
| 40 | 150 | 110 | 84 | 4 | 19 |

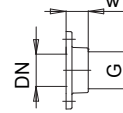
| Pump | Motor | | | mm | | | | | | | | | | | | | | | without motor | with motor |
|------------|-------|-----|---------|----|-----|----|-------|-----|-----|-----|-----|----|------|-------|--------|-----|--------|-------|---------------|------------|
| | kW | HP | | DN | a | h1 | f | n1 | n2 | m1 | m2 | s | g1 | (6) M | fM | P | (6) AD | m4 | (5) (7) kg | (5) (7) kg |
| MXV 25-304 | 0,75 | 1 | M80 V1 | 25 | 250 | 75 | 382,5 | 205 | 180 | 165 | 100 | 13 | 35,5 | 255 | 637,5 | 200 | 127,5 | 283 | - | - |
| MXV 25-305 | 0,75 | 1 | M80 V1 | 25 | 250 | 75 | 406,5 | 205 | 180 | 165 | 100 | 13 | 35,5 | 255 | 661,5 | 200 | 127,5 | 307 | | |
| MXV 25-306 | 1,1 | 1,5 | M80 V1 | 25 | 250 | 75 | 430,5 | 205 | 180 | 165 | 100 | 13 | 35,5 | 255 | 685,5 | 200 | 127,5 | 331 | | |
| MXV 25-307 | 1,1 | 1,5 | M80 V1 | 25 | 250 | 75 | 454,5 | 205 | 180 | 165 | 100 | 13 | 35,5 | 255 | 709,5 | 200 | 127,5 | 355 | | |
| MXV 25-308 | 1,5 | 2 | M90 V1 | 25 | 250 | 75 | 478,5 | 205 | 180 | 165 | 100 | 13 | 35,5 | 255 | 733,5 | 200 | 127,5 | 379 | | |
| MXV 25-310 | 1,5 | 2 | M90 V1 | 25 | 250 | 75 | 527 | 205 | 180 | 165 | 100 | 13 | 35,5 | 255 | 782 | 200 | 127,5 | 427,5 | | |
| MXV 25-312 | 2,2 | 3 | M90 V1 | 25 | 250 | 75 | 575,5 | 205 | 180 | 165 | 100 | 13 | 35,5 | 295 | 870,5 | 200 | 127,5 | 476 | | |
| MXV 25-314 | 2,2 | 3 | M90 V1 | 25 | 250 | 75 | 623,5 | 205 | 180 | 165 | 100 | 13 | 35,5 | 295 | 918,5 | 200 | 127,5 | 524 | | |
| MXV 25-316 | 3 | 4 | M100 V1 | 25 | 250 | 75 | 672 | 205 | 180 | 165 | 100 | 13 | 35,5 | 311 | 983 | 250 | 137,5 | 572,5 | | |
| MXV 25-318 | 3 | 4 | M100 V1 | 25 | 250 | 75 | 720,5 | 205 | 180 | 165 | 100 | 13 | 35,5 | 311 | 1031,5 | 250 | 137,5 | 621 | | |
| MXV 25-320 | 3 | 4 | M100 V1 | 25 | 250 | 75 | 768,5 | 205 | 180 | 165 | 100 | 13 | 35,5 | 311 | 1079,5 | 250 | 137,5 | 669 | | |
| MXV 32-504 | 1,1 | 1,5 | M80 V1 | 32 | 250 | 75 | 382,5 | 205 | 180 | 165 | 100 | 13 | 35,5 | 255 | 637,5 | 200 | 127,5 | 283 | | |
| MXV 32-505 | 1,1 | 1,5 | M80 V1 | 32 | 250 | 75 | 406,5 | 205 | 180 | 165 | 100 | 13 | 35,5 | 255 | 661,5 | 200 | 127,5 | 307 | | |
| MXV 32-506 | 1,5 | 2 | M90 V1 | 32 | 250 | 75 | 430,5 | 205 | 180 | 165 | 100 | 13 | 35,5 | 255 | 685,5 | 200 | 127,5 | 331 | | |
| MXV 32-507 | 1,5 | 2 | M90 V1 | 32 | 250 | 75 | 454,5 | 205 | 180 | 165 | 100 | 13 | 35,5 | 255 | 709,5 | 200 | 127,5 | 355 | | |
| MXV 32-508 | 2,2 | 3 | M90 V1 | 32 | 250 | 75 | 478,5 | 205 | 180 | 165 | 100 | 13 | 35,5 | 295 | 773,5 | 200 | 127,5 | 379 | | |
| MXV 32-510 | 2,2 | 3 | M90 V1 | 32 | 250 | 75 | 527 | 205 | 180 | 165 | 100 | 13 | 35,5 | 295 | 822 | 200 | 127,5 | 427,5 | | |
| MXV 32-512 | 3 | 4 | M100 V1 | 32 | 250 | 75 | 575,5 | 205 | 180 | 165 | 100 | 13 | 35,5 | 311 | 886,5 | 250 | 137,5 | 476 | | |
| MXV 32-514 | 3 | 4 | M100 V1 | 32 | 250 | 75 | 623,5 | 205 | 180 | 165 | 100 | 13 | 35,5 | 311 | 934,5 | 250 | 137,5 | 524 | | |
| MXV 32-516 | 4 | 5,5 | M112 V1 | 32 | 250 | 75 | 672 | 205 | 180 | 165 | 100 | 13 | 35,5 | 311 | 983 | 250 | 137,5 | 572,5 | | |
| MXV 32-518 | 4 | 5,5 | M112 V1 | 32 | 250 | 75 | 720,5 | 205 | 180 | 165 | 100 | 13 | 35,5 | 311 | 1031,5 | 250 | 137,5 | 621 | | |
| MXV 40-904 | 1,5 | 2 | M90 V1 | 40 | 280 | 80 | 411,5 | 250 | 215 | 190 | 130 | 14 | 30,5 | 255 | 666,5 | 200 | 127,5 | 312 | | |
| MXV 40-905 | 2,2 | 3 | M90 V1 | 40 | 280 | 80 | 441,5 | 250 | 215 | 190 | 130 | 14 | 30,5 | 295 | 736,5 | 200 | 127,5 | 342 | | |
| MXV 40-906 | 2,2 | 3 | M90 V1 | 40 | 280 | 80 | 471,5 | 250 | 215 | 190 | 130 | 14 | 30,5 | 295 | 766,5 | 200 | 127,5 | 372 | | |
| MXV 40-907 | 3 | 4 | M100 V1 | 40 | 280 | 80 | 501,5 | 250 | 215 | 190 | 130 | 14 | 30,5 | 311 | 812,5 | 250 | 137,5 | 402 | | |
| MXV 40-908 | 3 | 4 | M100 V1 | 40 | 280 | 80 | 532 | 250 | 215 | 190 | 130 | 14 | 30,5 | 311 | 843 | 250 | 137,5 | 432,5 | | |
| MXV 40-910 | 4 | 5,5 | M112 V1 | 40 | 280 | 80 | 592 | 250 | 215 | 190 | 130 | 14 | 30,5 | 311 | 903 | 250 | 137,5 | 492,5 | | |
| MXV 40-911 | 4 | 5,5 | M112 V1 | 40 | 280 | 80 | 622 | 250 | 215 | 190 | 130 | 14 | 30,5 | 311 | 933 | 250 | 137,5 | 522,5 | | |
| MXV 40-913 | 5,5 | 7,5 | M132 V1 | 40 | 280 | 80 | 769,5 | 250 | 215 | 190 | 130 | 14 | 30,5 | 339 | 1108,5 | 300 | 159,5 | 583,5 | | |
| MXV 40-915 | 5,5 | 7,5 | M132 V1 | 40 | 280 | 80 | 830 | 250 | 215 | 190 | 130 | 14 | 30,5 | 339 | 1169 | 300 | 159,5 | 644 | | |
| MXV 40-917 | 7,5 | 10 | M132 V1 | 40 | 280 | 80 | 890 | 250 | 215 | 190 | 130 | 14 | 30,5 | 339 | 1229 | 300 | 159,5 | 704 | | |
| MXV 40-919 | 7,5 | 10 | M132 V1 | 40 | 280 | 80 | 950 | 250 | 215 | 190 | 130 | 14 | 30,5 | 339 | 1289 | 300 | 159,5 | 764 | | |

Dimensions and weights



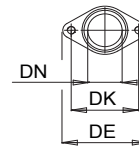
- (1) Filling and air vent
- (2) Air vent suction side
- (3) Draining
- (4) Standard position of terminal box.
(for other positions rotate motor through 90° or 180°)
- (5) MXV (H) : + 3 kg
- (6) With standard motor
- (7) Net weight

Oval Counterflanges

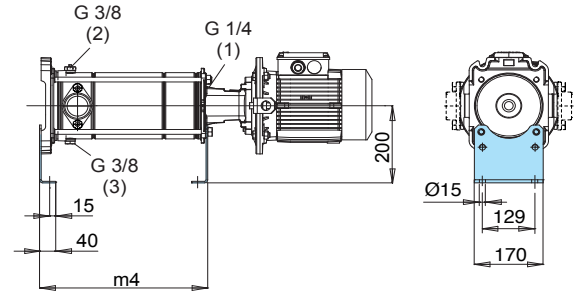


| DN | G | w | Holes | |
|----|-------|----|-------|----|
| | | | N. | Ø |
| 25 | 1 | 23 | 2 | 12 |
| 32 | 1 1/4 | 23 | 2 | 12 |
| 40 | 1 1/2 | 26 | 2 | 15 |

Oval Flanges

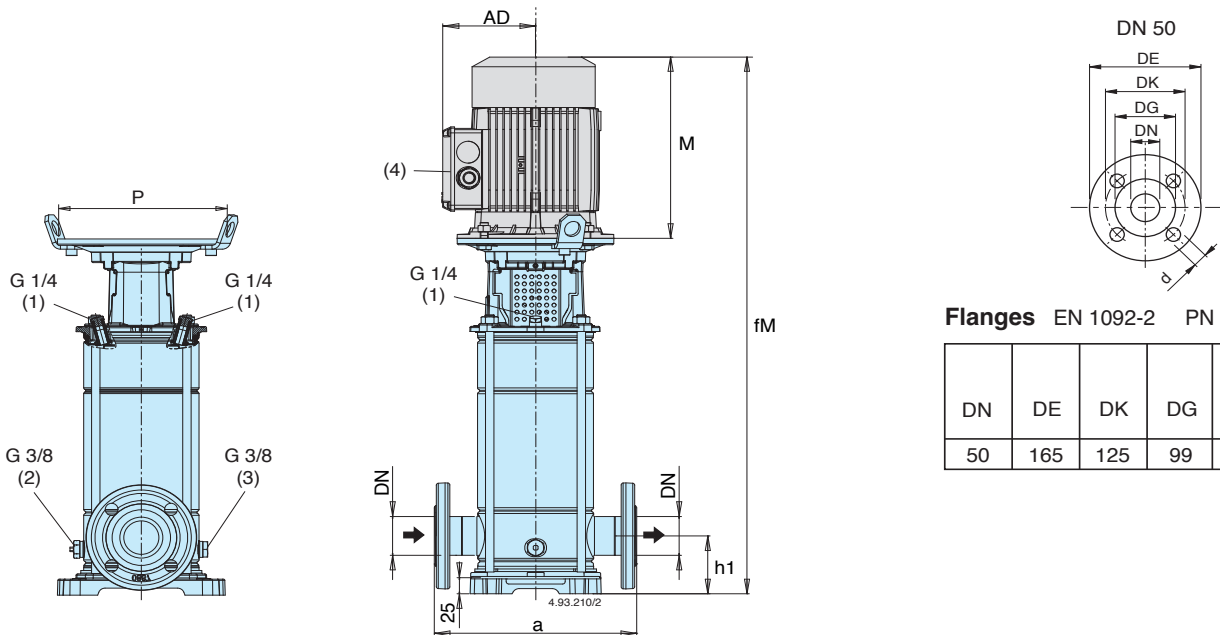


| DN | DE | DK | Holes | |
|----|-----|-----|-------|-----|
| | | | N. | Ø |
| 25 | 95 | 75 | 2 | M10 |
| 32 | 95 | 75 | 2 | M10 |
| 40 | 125 | 100 | 2 | M12 |



| Pump | Motor | | | mm | | | | | | | | | | | | | | | without motor (5) (7) kg | with motor (5) (6) (7) kg |
|--------------|-------|-----|---------|----|-----|----|-------|-----|-----|-----|-----|----|------|----------|--------|-----|-----------|-------|-----------------------------------|------------------------------------|
| | kW | HP | | DN | a | h1 | f | n1 | n2 | m1 | m2 | s | g1 | (6) M | fM | P | (6) AD | m4 | | |
| MXV 25-304 O | 0,75 | 1 | M80 V1 | 25 | 160 | 50 | 367 | 205 | 180 | 165 | 100 | 13 | 20 | 255 | 622 | 200 | 127,5 | 268 | - | - |
| MXV 25-305 O | 0,75 | 1 | M80 V1 | 25 | 160 | 50 | 391 | 205 | 180 | 165 | 100 | 13 | 20 | 255 | 646 | 200 | 127,5 | 292 | | |
| MXV 25-306 O | 1,1 | 1,5 | M80 V1 | 25 | 160 | 50 | 415 | 205 | 180 | 165 | 100 | 13 | 20 | 255 | 670 | 200 | 127,5 | 316 | | |
| MXV 25-307 O | 1,1 | 1,5 | M80 V1 | 25 | 160 | 50 | 439 | 205 | 180 | 165 | 100 | 13 | 20 | 255 | 694 | 200 | 127,5 | 340 | | |
| MXV 25-308 O | 1,5 | 2 | M90 V1 | 25 | 160 | 50 | 463 | 205 | 180 | 165 | 100 | 13 | 20 | 255 | 718 | 200 | 127,5 | 364 | | |
| MXV 25-310 O | 1,5 | 2 | M90 V1 | 25 | 160 | 50 | 511,5 | 205 | 180 | 165 | 100 | 13 | 20 | 255 | 766,5 | 200 | 127,5 | 412,5 | | |
| MXV 25-312 O | 2,2 | 3 | M90 V1 | 25 | 160 | 50 | 560 | 205 | 180 | 165 | 100 | 13 | 20 | 295 | 855 | 200 | 127,5 | 461 | | |
| MXV 25-314 O | 2,2 | 3 | M90 V1 | 25 | 160 | 50 | 608 | 205 | 180 | 165 | 100 | 13 | 20 | 295 | 903 | 200 | 127,5 | 509 | | |
| MXV 32-504 O | 1,1 | 1,5 | M80 V1 | 32 | 160 | 50 | 367 | 205 | 180 | 165 | 100 | 13 | 20 | 255 | 622 | 200 | 127,5 | 267,5 | | |
| MXV 32-505 O | 1,1 | 1,5 | M80 V1 | 32 | 160 | 50 | 391 | 205 | 180 | 165 | 100 | 13 | 20 | 255 | 646 | 200 | 127,5 | 291,5 | | |
| MXV 32-506 O | 1,5 | 2 | M90 V1 | 32 | 160 | 50 | 415 | 205 | 180 | 165 | 100 | 13 | 20 | 255 | 670 | 200 | 127,5 | 315,5 | | |
| MXV 32-507 O | 1,5 | 2 | M90 V1 | 32 | 160 | 50 | 439 | 205 | 180 | 165 | 100 | 13 | 20 | 255 | 694 | 200 | 127,5 | 339,5 | | |
| MXV 32-508 O | 2,2 | 3 | M90 V1 | 32 | 160 | 50 | 463 | 205 | 180 | 165 | 100 | 13 | 20 | 295 | 758 | 200 | 127,5 | 363,5 | | |
| MXV 32-510 O | 2,2 | 3 | M90 V1 | 32 | 160 | 50 | 511,5 | 205 | 180 | 165 | 100 | 13 | 20 | 295 | 806,5 | 200 | 127,5 | 412 | | |
| MXV 32-512 O | 3 | 4 | M100 V1 | 32 | 160 | 50 | 560 | 205 | 180 | 165 | 100 | 13 | 20 | 311 | 871 | 250 | 137,5 | 460,5 | | |
| MXV 32-514 O | 3 | 4 | M100 V1 | 32 | 160 | 50 | 608 | 205 | 180 | 165 | 100 | 13 | 20 | 311 | 919 | 250 | 137,5 | 508,5 | | |
| MXV 40-904 O | 1,5 | 2 | M90 V1 | 40 | 200 | 80 | 411,5 | 250 | 215 | 190 | 130 | 14 | 30,5 | 255 | 666,5 | 200 | 127,5 | 312 | | |
| MXV 40-905 O | 2,2 | 3 | M90 V1 | 40 | 200 | 80 | 441,5 | 250 | 215 | 190 | 130 | 14 | 30,5 | 295 | 736,5 | 200 | 127,5 | 342 | | |
| MXV 40-906 O | 2,2 | 3 | M90 V1 | 40 | 200 | 80 | 471,5 | 250 | 215 | 190 | 130 | 14 | 30,5 | 295 | 766,5 | 200 | 127,5 | 372 | | |
| MXV 40-907 O | 3 | 4 | M100 V1 | 40 | 200 | 80 | 501,5 | 250 | 215 | 190 | 130 | 14 | 30,5 | 311 | 812,5 | 250 | 137,5 | 402 | | |
| MXV 40-908 O | 3 | 4 | M100 V1 | 40 | 200 | 80 | 532 | 250 | 215 | 190 | 130 | 14 | 30,5 | 311 | 843 | 250 | 137,5 | 432,5 | | |
| MXV 40-910 O | 4 | 5,5 | M112 V1 | 40 | 200 | 80 | 592 | 250 | 215 | 190 | 130 | 14 | 30,5 | 311 | 903 | 250 | 137,5 | 492,5 | | |
| MXV 40-911 O | 4 | 5,5 | M112 V1 | 40 | 200 | 80 | 622 | 250 | 215 | 190 | 130 | 14 | 30,5 | 311 | 933 | 250 | 137,5 | 522,5 | | |
| MXV 40-913 O | 5,5 | 7,5 | M132 V1 | 40 | 200 | 80 | 769,5 | 250 | 215 | 190 | 130 | 14 | 30,5 | 339 | 1108,5 | 300 | 159,5 | 583,5 | | |

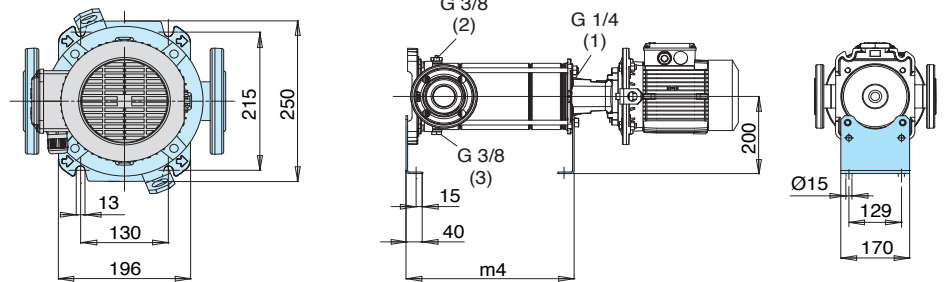
Dimensions and weights



Flanges EN 1092-2 PN 25

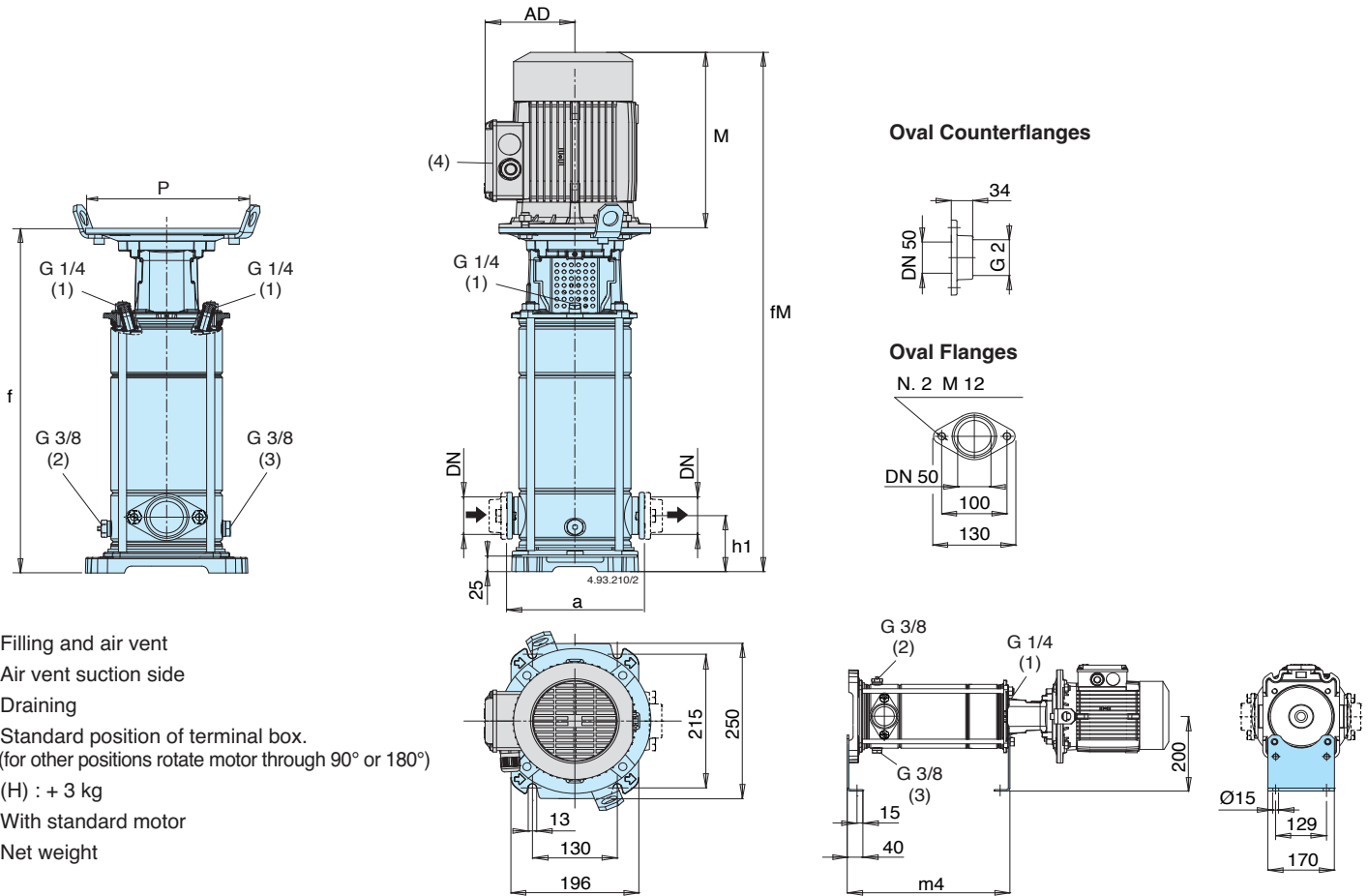
| DN | DE | DK | DG | Holes | |
|----|-----|-----|----|-------|----|
| | | | | N. | Ø |
| 50 | 165 | 125 | 99 | 4 | 19 |

- (1) Filling and air vent
- (2) Air vent suction side
- (3) Draining
- (4) Standard position of terminal box.
(for other positions rotate motor through 90° or 180°)
- (5) (H) : + 3 kg
- (6) With standard motor
- (7) Net weight



| Pump | Motor | | | mm | | | | | | | | | without motor MXV (5) (7) kg | with motor (6) (7) kg |
|---------------|-------|------|---------|----|-----|----|------|----------|------|-----|-----------|------|---------------------------------------|--------------------------------|
| | kW | HP | | DN | a | h1 | f | (6) M | fM | P | (6) AD | m4 | | |
| MXV 50-1501 | 1,1 | 1,5 | M80 V1 | 50 | 300 | 90 | 438 | 255 | 693 | 200 | 127,5 | 313 | 27,4 | 40,7 |
| MXV 50-1502 | 1,5 | 2 | M90 V1 | 50 | 300 | 90 | 438 | 255 | 693 | 200 | 127,5 | 313 | 27,9 | 41,2 |
| MXV 50-1503/A | 2,2 | 3 | M90 V1 | 50 | 300 | 90 | 486 | 311 | 797 | 200 | 137,5 | 361 | 29,4 | 55,0 |
| MXV 50-1504 | 3 | 4 | M100 V1 | 50 | 300 | 90 | 534 | 311 | 845 | 250 | 137,5 | 409 | 31,8 | 57,4 |
| MXV 50-1505 | 4 | 5,5 | M112 V1 | 50 | 300 | 90 | 582 | 311 | 893 | 250 | 137,5 | 457 | 33,3 | 61,1 |
| MXV 50-1506 | 5,5 | 7,5 | M132 V1 | 50 | 300 | 90 | 693 | 339 | 1032 | 300 | 159,5 | 505 | 44,3 | 86,6 |
| MXV 50-1507 | 5,5 | 7,5 | M132 V1 | 50 | 300 | 90 | 741 | 339 | 1080 | 300 | 159,5 | 553 | 45,7 | 88,0 |
| MXV 50-1508/A | 5,5 | 7,5 | M132 V1 | 50 | 300 | 90 | 789 | 339 | 1128 | 300 | 159,5 | 601 | 47,2 | 94,9 |
| MXV 50-1509 | 7,5 | 10 | M132 V1 | 50 | 300 | 90 | 837 | 339 | 1176 | 300 | 159,5 | 649 | 48,6 | 96,3 |
| MXV 50-1510 | 7,5 | 10 | M132 V1 | 50 | 300 | 90 | 885 | 339 | 1224 | 300 | 159,5 | 697 | 50,1 | 97,8 |
| MXV 50-1511 | 9,2 | 12,5 | M160 V1 | 50 | 300 | 90 | 963 | 413 | 1376 | 350 | 186 | 745 | 58,0 | 128 |
| MXV 50-1512 | 9,2 | 12,5 | M160 V1 | 50 | 300 | 90 | 1011 | 413 | 1424 | 350 | 186 | 793 | 59,3 | 129,3 |
| MXV 50-1513 | 11 | 15 | M160 V1 | 50 | 300 | 90 | 1059 | 459 | 1518 | 350 | 186 | 841 | 60,7 | 136,7 |
| MXV 50-1514 | 11 | 15 | M160 V1 | 50 | 300 | 90 | 1107 | 459 | 1566 | 350 | 186 | 889 | 62,2 | 138,2 |
| MXV 50-1515 | 11 | 15 | M160 V1 | 50 | 300 | 90 | 1155 | 459 | 1614 | 350 | 186 | 937 | 63,7 | 139,7 |
| MXV 50-1516 | 15 | 20 | M160 V1 | 50 | 300 | 90 | 1203 | 484 | 1687 | 350 | 186 | 985 | 65,1 | 167,1 |
| MXV 50-1517 | 15 | 20 | M160 V1 | 50 | 300 | 90 | 1251 | 484 | 1735 | 350 | 186 | 1033 | 66,6 | 168,6 |
| MXV 50-2001 | 1,1 | 1,5 | M80 V1 | 50 | 300 | 90 | 438 | 255 | 693 | 200 | 127,5 | 313 | 27,4 | 40,7 |
| MXV 50-2002 | 2,2 | 3 | M90 V1 | 50 | 300 | 90 | 438 | 295 | 733 | 200 | 127,5 | 313 | 27,9 | 46,0 |
| MXV 50-2003 | 3 | 4 | M100 V1 | 50 | 300 | 90 | 486 | 311 | 797 | 250 | 137,5 | 361 | 30,3 | 55,9 |
| MXV 50-2004 | 4 | 5,5 | M112 V1 | 50 | 300 | 90 | 534 | 311 | 845 | 250 | 137,5 | 409 | 31,8 | 59,6 |
| MXV 50-2005 | 5,5 | 7,5 | M132 V1 | 50 | 300 | 90 | 645 | 339 | 984 | 300 | 159,5 | 457 | 42,8 | 85,1 |
| MXV 50-2006 | 7,5 | 10 | M132 V1 | 50 | 300 | 90 | 693 | 339 | 1032 | 300 | 159,5 | 505 | 44,3 | 92,0 |
| MXV 50-2007 | 7,5 | 10 | M132 V1 | 50 | 300 | 90 | 741 | 339 | 1080 | 300 | 159,5 | 553 | 45,7 | 93,4 |
| MXV 50-2008 | 9,2 | 12,5 | M160 V1 | 50 | 300 | 90 | 819 | 413 | 1232 | 350 | 186 | 601 | 53,5 | 123,5 |
| MXV 50-2009 | 9,2 | 12,5 | M160 V1 | 50 | 300 | 90 | 867 | 413 | 1280 | 350 | 186 | 649 | 54,9 | 124,9 |
| MXV 50-2010 | 11 | 15 | M160 V1 | 50 | 300 | 90 | 915 | 459 | 1374 | 350 | 186 | 697 | 56,4 | 132,4 |
| MXV 50-2011 | 11 | 15 | M160 V1 | 50 | 300 | 90 | 963 | 459 | 1422 | 350 | 186 | 745 | 57,8 | 133,8 |
| MXV 50-2012 | 15 | 20 | M160 V1 | 50 | 300 | 90 | 1011 | 484 | 1495 | 350 | 186 | 793 | 59,3 | 161,3 |
| MXV 50-2013 | 15 | 20 | M160 V1 | 50 | 300 | 90 | 1059 | 484 | 1543 | 350 | 186 | 841 | 60,7 | 162,7 |
| MXV 50-2014 | 15 | 20 | M160 V1 | 50 | 300 | 90 | 1107 | 484 | 1591 | 350 | 186 | 889 | 62,2 | 164,2 |
| MXV 50-2015 | 15 | 20 | M160 V1 | 50 | 300 | 90 | 1155 | 484 | 1639 | 350 | 186 | 937 | 63,7 | 165,7 |
| MXV 50-2016 | 18,5 | 25 | M160 V1 | 50 | 300 | 90 | 1203 | 538 | 1741 | 350 | 206 | 985 | 65,1 | 187,1 |
| MXV 50-2017 | 18,5 | 25 | M160 V1 | 50 | 300 | 90 | 1251 | 538 | 1789 | 350 | 206 | 1033 | 66,6 | 188,6 |

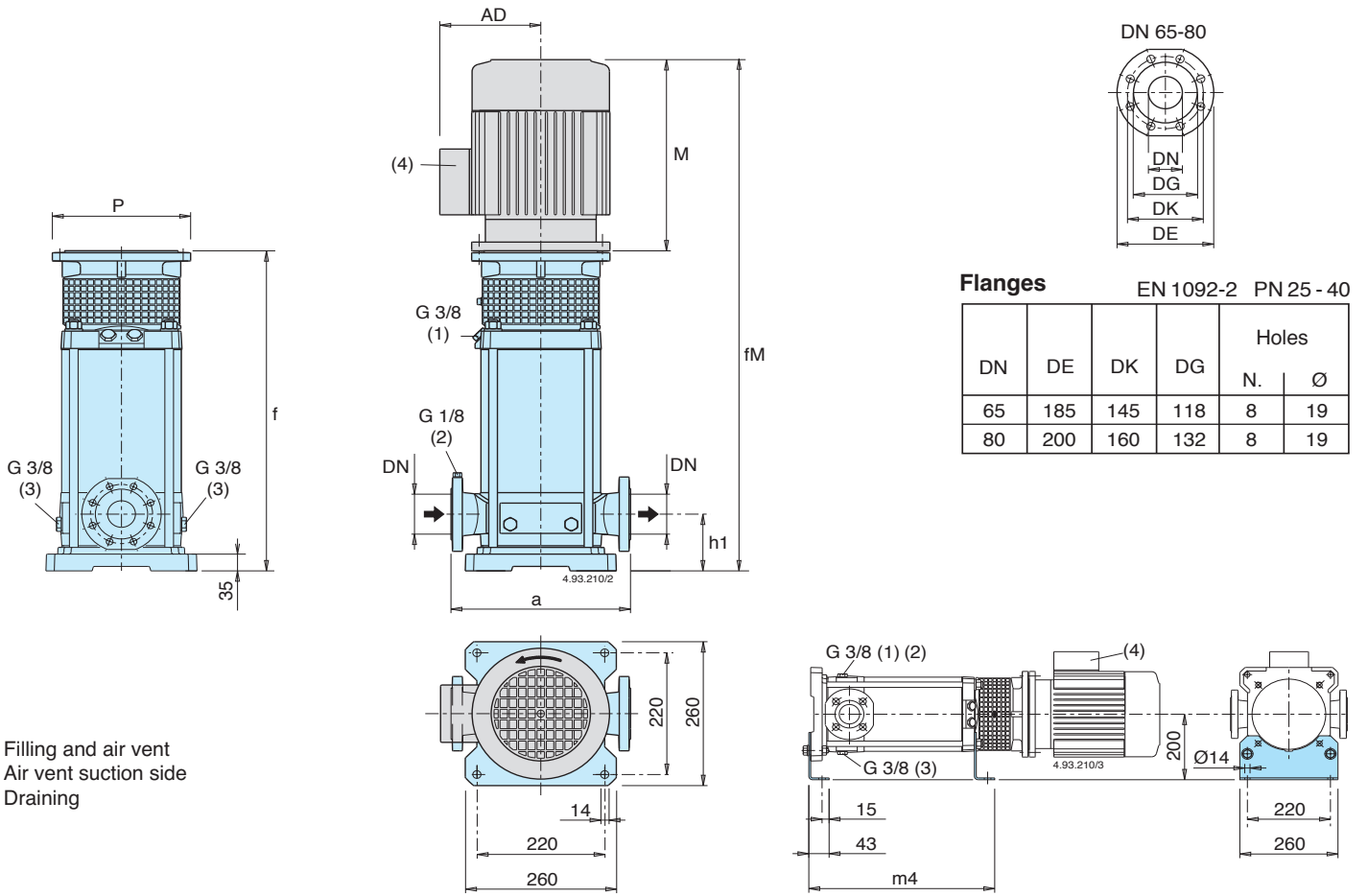
Dimensions and weights



- (1) Filling and air vent
- (2) Air vent suction side
- (3) Draining
- (4) Standard position of terminal box.
(for other positions rotate motor through 90° or 180°)
- (5) (H) : + 3 kg
- (6) With standard motor
- (7) Net weight

| Pump | Motor | | | mm | | | | | | | | | without motor MXV (5) (7) kg | with motor (6) (7) kg |
|-----------------|-------|------|---------|----|-----|----|-----|----------|------|-----|-----------|-----|---------------------------------------|--------------------------------|
| | kW | HP | | DN | a | h1 | f | (6) M | fM | P | (6) AD | m4 | | |
| MXV 50-1501 O | 1,1 | 1,5 | M80 V1 | 50 | 200 | 90 | 438 | 255 | 693 | 200 | 127,5 | 313 | 24,6 | 37,9 |
| MXV 50-1502 O | 1,5 | 2 | M90 V1 | 50 | 200 | 90 | 438 | 255 | 693 | 200 | 127,5 | 313 | 25,1 | 38,4 |
| MXV 50-1503/A O | 2,2 | 3 | M90 V1 | 50 | 200 | 90 | 486 | 311 | 797 | 200 | 137,5 | 361 | 26,6 | 52,2 |
| MXV 50-1504 O | 3 | 4 | M100 V1 | 50 | 200 | 90 | 534 | 311 | 845 | 250 | 137,5 | 409 | 29,0 | 54,6 |
| MXV 50-1505 O | 4 | 5,5 | M112 V1 | 50 | 200 | 90 | 582 | 311 | 893 | 250 | 137,5 | 457 | 30,5 | 58,3 |
| MXV 50-1506 O | 5,5 | 7,5 | M132 V1 | 50 | 200 | 90 | 693 | 339 | 1032 | 300 | 159,5 | 505 | 41,5 | 83,8 |
| MXV 50-1507 O | 5,5 | 7,5 | M132 V1 | 50 | 200 | 90 | 741 | 339 | 1080 | 300 | 159,5 | 553 | 42,9 | 85,2 |
| MXV 50-1508/A O | 5,5 | 7,5 | M132 V1 | 50 | 200 | 90 | 789 | 339 | 1128 | 300 | 159,5 | 601 | 44,4 | 86,7 |
| MXV 50-1509 O | 7,5 | 10 | M132 V1 | 50 | 200 | 90 | 837 | 339 | 1176 | 300 | 159,5 | 649 | 45,8 | 93,5 |
| MXV 50-1510 O | 7,5 | 10 | M132 V1 | 50 | 200 | 90 | 885 | 339 | 1224 | 300 | 159,5 | 697 | 47,3 | 95,0 |
| MXV 50-2001 O | 1,1 | 1,5 | M80 V1 | 50 | 200 | 90 | 438 | 255 | 693 | 200 | 127,5 | 313 | 24,6 | 37,9 |
| MXV 50-2002 O | 2,2 | 3 | M90 V1 | 50 | 200 | 90 | 438 | 295 | 733 | 200 | 127,5 | 313 | 25,1 | 43,2 |
| MXV 50-2003 O | 3 | 4 | M100 V1 | 50 | 200 | 90 | 486 | 311 | 797 | 250 | 137,5 | 361 | 27,6 | 53,2 |
| MXV 50-2004 O | 4 | 5,5 | M112 V1 | 50 | 200 | 90 | 534 | 311 | 832 | 250 | 137,5 | 409 | 29,0 | 56,8 |
| MXV 50-2005 O | 5,5 | 7,5 | M132 V1 | 50 | 200 | 90 | 645 | 339 | 984 | 300 | 159,5 | 457 | 40,0 | 82,3 |
| MXV 50-2006 O | 7,5 | 10 | M132 V1 | 50 | 200 | 90 | 693 | 339 | 1032 | 300 | 159,5 | 505 | 41,5 | 89,2 |
| MXV 50-2007 O | 7,5 | 10 | M132 V1 | 50 | 200 | 90 | 741 | 339 | 1080 | 300 | 159,5 | 553 | 42,9 | 90,6 |
| MXV 50-2008 O | 9,2 | 12,5 | M160 V1 | 50 | 200 | 90 | 819 | 413 | 1232 | 350 | 186 | 601 | 50,7 | 120,7 |
| MXV 50-2009 O | 9,2 | 12,5 | M160 V1 | 50 | 200 | 90 | 867 | 413 | 1280 | 350 | 186 | 649 | 52,1 | 122,1 |
| MXV 50-2010 O | 11 | 15 | M160 V1 | 50 | 200 | 90 | 915 | 459 | 1374 | 350 | 186 | 697 | 53,6 | 129,6 |

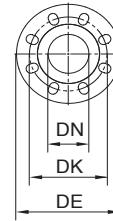
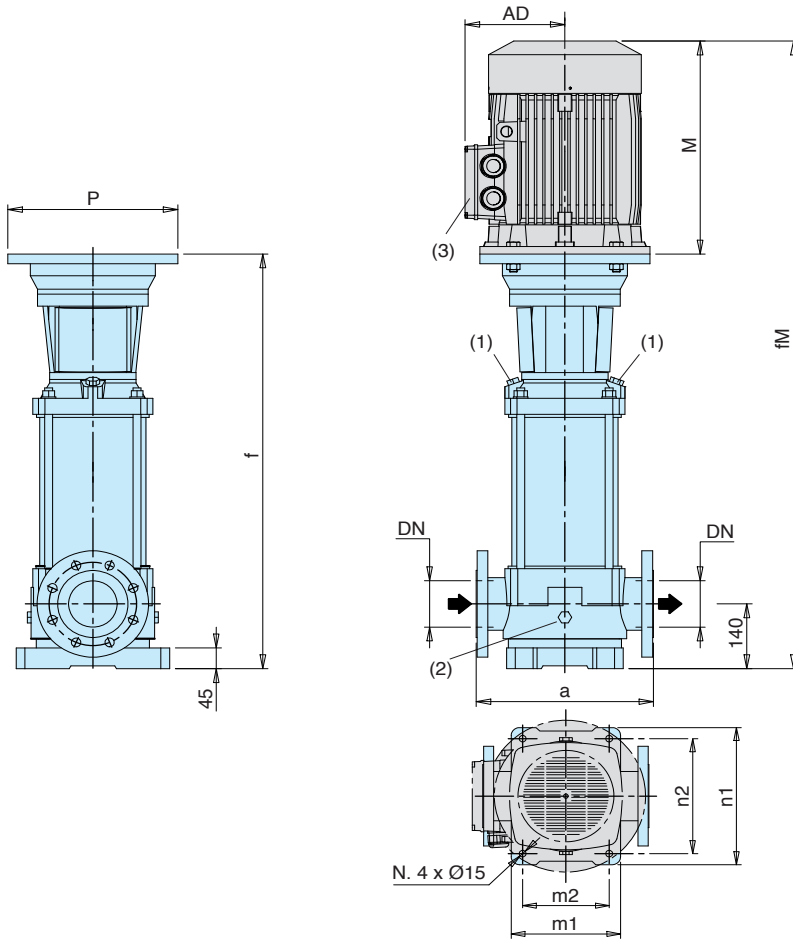
Dimensions and weights



| Pump | Motor | | | mm | | | | | | | | | without motor | with motor |
|---------------|-------|-----|---------|----|-----|-----|-----|-------|------|-----|--------|-----|----------------|------------|
| | kW | HP | | DN | a | h1 | f | (6) M | fM | P | (6) AD | m4 | MXV (5) kg (7) | (6) kg (7) |
| MXV 65-3202/D | 4 | 5,5 | M112 V1 | 65 | 320 | 105 | 407 | 311 | 718 | 250 | 137,5 | 334 | 45 | 72,8 |
| MXV 65-3203/C | 5,5 | 7,5 | M132 V1 | 65 | 320 | 105 | 473 | 339 | 812 | 300 | 159,5 | 380 | 51 | 93,3 |
| MXV 65-3204/C | 7,5 | 10 | M132 V1 | 65 | 320 | 105 | 519 | 339 | 858 | 300 | 159,5 | 426 | 53 | 100,7 |
| MXV 65-3205/D | 11 | 15 | M160 V1 | 65 | 320 | 105 | 595 | 459 | 1054 | 350 | 186 | 472 | 62 | 138 |
| MXV 65-3206/D | 11 | 15 | M160 V1 | 65 | 320 | 105 | 641 | 459 | 1100 | 350 | 186 | 518 | 64 | 140 |
| MXV 65-3207/D | 15 | 20 | M160 V1 | 65 | 320 | 105 | 687 | 484 | 1171 | 350 | 186 | 564 | 66 | 168 |
| MXV 65-3208/D | 15 | 20 | M160 V1 | 65 | 320 | 105 | 733 | 484 | 1217 | 350 | 186 | 610 | 68 | 170 |
| MXV 65-3209/E | 18,5 | 25 | M160 V1 | 65 | 320 | 105 | 779 | 538 | 1317 | 350 | 206 | 656 | 70 | 192 |
| MXV 65-3210/E | 18,5 | 25 | M160 V1 | 65 | 320 | 105 | 825 | 538 | 1363 | 350 | 206 | 702 | 72 | 194 |
| MXV 65-3212/D | 22 | 30 | M180 V1 | 65 | 320 | 105 | 917 | 538 | 1455 | 350 | 206 | 794 | 75 | 204 |
| MXV 80-4801/D | 4 | 5,5 | M112 V1 | 80 | 320 | 105 | 411 | 311 | 722 | 250 | 137,5 | 338 | 45 | 72,8 |
| MXV 80-4802/C | 5,5 | 7,5 | M132 V1 | 80 | 320 | 105 | 466 | 339 | 805 | 300 | 159,5 | 373 | 51 | 93,3 |
| MXV 80-4803/C | 7,5 | 10 | M132 V1 | 80 | 320 | 105 | 527 | 339 | 866 | 300 | 159,5 | 434 | 54 | 101,7 |
| MXV 80-4804/D | 11 | 15 | M160 V1 | 80 | 320 | 105 | 618 | 459 | 1077 | 350 | 186 | 495 | 64 | 140 |
| MXV 80-4805/D | 15 | 20 | M160 V1 | 80 | 320 | 105 | 680 | 484 | 1164 | 350 | 186 | 557 | 66 | 168 |
| MXV 80-4806/D | 15 | 20 | M160 V1 | 80 | 320 | 105 | 741 | 484 | 1225 | 350 | 186 | 618 | 69 | 171 |
| MXV 80-4807/E | 18,5 | 25 | M160 V1 | 80 | 320 | 105 | 802 | 538 | 1340 | 350 | 206 | 679 | 72 | 194 |
| MXV 80-4808/D | 22 | 30 | M180 V1 | 80 | 320 | 105 | 864 | 538 | 1402 | 350 | 206 | 741 | 74 | 203 |

(4) Standard position of terminal box. (for other positions rotate motor through 90° or 180°) (5) MXV (L) : + 3 kg (6) With standard motor (7) Net weight
MXV (H) : + 3 kg

Dimensions and weights



Flanges

EN 1092-2

| DN | PN | DE | DK | Holes | |
|-----|----|-----|-----|-------|----|
| | | | | N. | Ø |
| 100 | 16 | 230 | 180 | 8 | 19 |
| 100 | 25 | 255 | 190 | 8 | 23 |

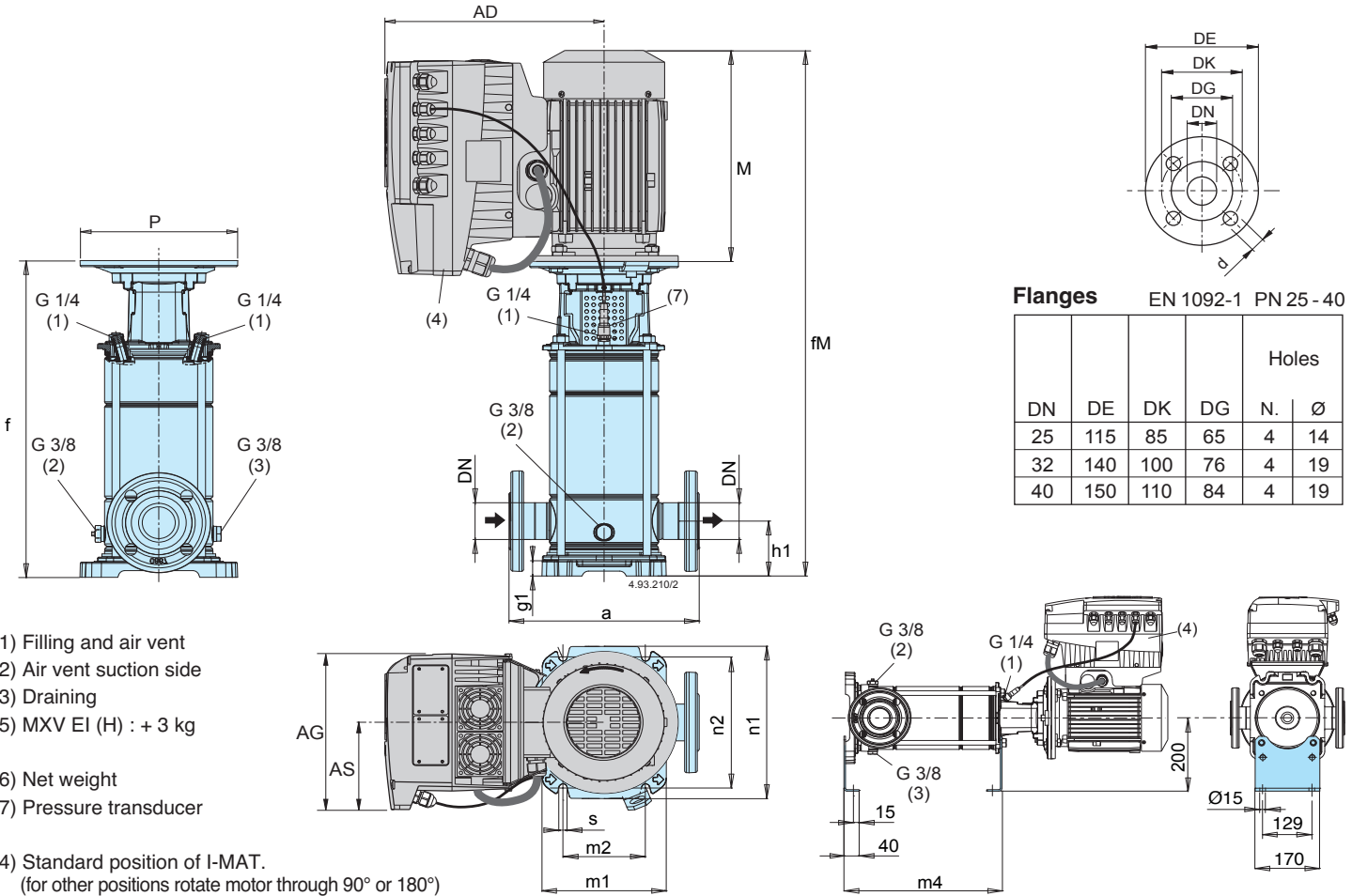
(1) Filling and air vent
(2) Draining

| Pump | Motor | | | | mm | | | | | | | | | | without motor | with motor |
|-------------------|-------|-----|----|---------|-----|------|-----|-----|-----|-----|-------|------|-----|-------|---------------|------------|
| | kW | HP | PN | Size | a | f | n1 | n2 | m1 | m2 | (4) M | fm | P | AD | MXV kg (5) | (4) kg (5) |
| MXV 100-6501/A | 5,5 | 7,5 | 16 | M132 V1 | 365 | 737 | 316 | 265 | 240 | 190 | 339 | 1076 | 300 | 159,5 | 81 | 123,3 |
| MXV 100-6502-2R/A | 7,5 | 10 | 16 | M132 V1 | 365 | 829 | 316 | 265 | 240 | 190 | 339 | 1168 | 300 | 159,5 | 85,5 | 127,8 |
| MXV 100-6502/A | 11 | 15 | 16 | M160 V1 | 365 | 849 | 316 | 265 | 240 | 190 | 459 | 1308 | 350 | 186 | 88,5 | 164,5 |
| MXV 100-6503-2R/A | 15 | 20 | 16 | M160 V1 | 365 | 941 | 316 | 265 | 240 | 190 | 484 | 1425 | 350 | 186 | 93 | 195 |
| MXV 100-6503/B | 18,5 | 25 | 16 | M160 V1 | 365 | 941 | 316 | 265 | 240 | 190 | 538 | 1479 | 350 | 206 | 93 | 215 |
| MXV 100-6504-2R/B | 18,5 | 25 | 16 | M160 V1 | 365 | 1033 | 316 | 265 | 240 | 190 | 538 | 1571 | 350 | 206 | 97,5 | 219,5 |
| MXV 100-6504/A | 22 | 30 | 16 | M180 V1 | 365 | 1033 | 316 | 265 | 240 | 190 | 538 | 1571 | 350 | 206 | 98 | 227 |
| MXV 100-6505-2R/A | 30 | 40 | 16 | M200 V1 | 365 | 1131 | 316 | 265 | 240 | 190 | 636 | 1767 | 400 | 315 | 105,5 | 278,5 |
| MXV 100-6505/A | 30 | 40 | 16 | M200 V1 | 365 | 1131 | 316 | 265 | 240 | 190 | 636 | 1767 | 400 | 315 | 105,5 | 278,5 |
| MXV 100-6506-2R/A | 30 | 40 | 16 | M200 V1 | 365 | 1223 | 316 | 265 | 240 | 190 | 636 | 1859 | 400 | 315 | 110 | 283 |
| MXV 100-6506/A | 37 | 50 | 25 | M200 V1 | 365 | 1223 | 316 | 265 | 240 | 190 | 636 | 1859 | 400 | 315 | 110 | 304 |
| MXV 100-6507-2R/A | 37 | 50 | 25 | M200 V1 | 365 | 1315 | 316 | 265 | 240 | 190 | 636 | 1951 | 400 | 315 | 114,5 | 308,5 |
| MXV 100-6507/A | 45 | 60 | 25 | M225 V1 | 365 | 1315 | 316 | 265 | 240 | 190 | 708 | 2023 | 450 | 338 | 117,5 | 432,5 |
| MXV 100-6508-2R/A | 45 | 60 | 25 | M225 V1 | 365 | 1407 | 316 | 265 | 240 | 190 | 708 | 2115 | 450 | 338 | 122 | 437 |
| MXV 100-6508/A | 45 | 60 | 25 | M225 V1 | 365 | 1407 | 316 | 265 | 240 | 190 | 708 | 2115 | 450 | 338 | 122 | 437 |
| MXV 100-9001-1R/A | 5,5 | 7,5 | 16 | M132 V1 | 380 | 737 | 341 | 280 | 260 | 199 | 339 | 1076 | 300 | 159,5 | 82,5 | 124,8 |
| MXV 100-9001/A | 7,5 | 10 | 16 | M132 V1 | 380 | 737 | 341 | 280 | 260 | 199 | 339 | 1076 | 300 | 159,5 | 82,5 | 124,8 |
| MXV 100-9002-2R/A | 11 | 15 | 16 | M160 V1 | 380 | 849 | 341 | 280 | 260 | 199 | 459 | 1308 | 350 | 186 | 89 | 165 |
| MXV 100-9002/A | 15 | 20 | 16 | M160 V1 | 380 | 849 | 341 | 280 | 260 | 199 | 484 | 1333 | 350 | 186 | 89 | 191 |
| MXV 100-9003-2R/B | 18,5 | 25 | 16 | M160 V1 | 380 | 941 | 341 | 280 | 260 | 199 | 538 | 1479 | 350 | 206 | 93 | 215 |
| MXV 100-9003/A | 22 | 30 | 16 | M180 V1 | 380 | 941 | 341 | 280 | 260 | 199 | 538 | 1479 | 350 | 206 | 93 | 222 |
| MXV 100-9004-2R/A | 30 | 40 | 16 | M200 V1 | 380 | 1038 | 341 | 280 | 260 | 199 | 636 | 1674 | 400 | 315 | 100 | 273 |
| MXV 100-9004/A | 30 | 40 | 16 | M200 V1 | 380 | 1038 | 341 | 280 | 260 | 199 | 636 | 1674 | 400 | 315 | 100 | 273 |
| MXV 100-9005-2R/A | 37 | 50 | 16 | M200 V1 | 380 | 1131 | 341 | 280 | 260 | 199 | 636 | 1767 | 400 | 315 | 104 | 298 |
| MXV 100-9005/A | 37 | 50 | 16 | M200 V1 | 380 | 1131 | 341 | 280 | 260 | 199 | 636 | 1767 | 400 | 315 | 104 | 298 |
| MXV 100-9006-2R/A | 45 | 60 | 25 | M225 V1 | 380 | 1223 | 341 | 280 | 260 | 199 | 708 | 1931 | 450 | 338 | 110,5 | 425,5 |
| MXV 100-9006/A | 45 | 60 | 25 | M225 V1 | 380 | 1223 | 341 | 280 | 260 | 199 | 708 | 1931 | 450 | 338 | 110,5 | 425,5 |

(3) Standard position of terminal box. (for other positions rotate motor through 90° or 180°) (4) With standard motor

(5) Net weight

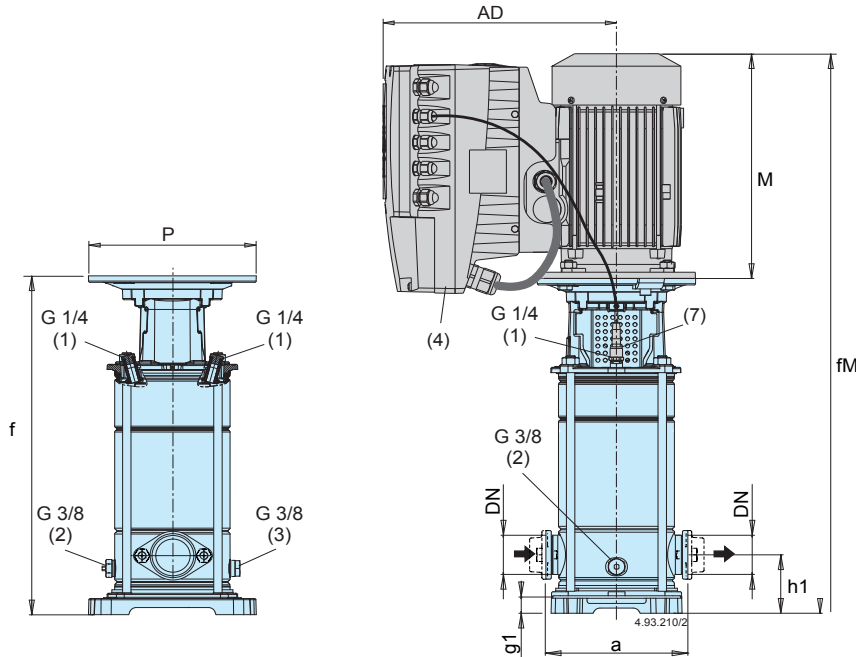
Dimensions and weights



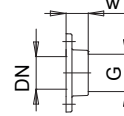
- (1) Filling and air vent
- (2) Air vent suction side
- (3) Draining
- (5) MXV EI (H) : + 3 kg
- (6) Net weight
- (7) Pressure transducer
- (4) Standard position of I-MAT.
(for other positions rotate motor through 90° or 180°)

| Pump | Motor | | mm | | | | | | | | | | | | | | | | | (5) (6) kg | |
|---------------|-------|-----|---------|----|-----|----|-------|-----|-----|-----|-----|----|------|-----|--------|-----|-----|-----|-----|------------------|---|
| | kW | HP | DN | a | h1 | f | n1 | n2 | m1 | m2 | s | g1 | M | fM | P | AD | AG | AS | m4 | | |
| MXV EI 25-304 | 0,75 | 1 | M80 V1 | 25 | 250 | 75 | 382,5 | 205 | 180 | 165 | 100 | 13 | 35,5 | 255 | 637,5 | 200 | 286 | 190 | 105 | 283 | - |
| MXV EI 25-305 | 0,75 | 1 | M80 V1 | 25 | 250 | 75 | 406,5 | 205 | 180 | 165 | 100 | 13 | 35,5 | 255 | 661,5 | 200 | 286 | 190 | 105 | 307 | - |
| MXV EI 25-306 | 1,1 | 1,5 | M80 V1 | 25 | 250 | 75 | 430,5 | 205 | 180 | 165 | 100 | 13 | 35,5 | 255 | 685,5 | 200 | 286 | 190 | 105 | 331 | - |
| MXV EI 25-307 | 1,1 | 1,5 | M80 V1 | 25 | 250 | 75 | 454,5 | 205 | 180 | 165 | 100 | 13 | 35,5 | 255 | 709,5 | 200 | 286 | 190 | 105 | 355 | - |
| MXV EI 25-308 | 1,5 | 2 | M90 V1 | 25 | 250 | 75 | 478,5 | 205 | 180 | 165 | 100 | 13 | 35,5 | 255 | 733,5 | 200 | 286 | 190 | 105 | 379 | - |
| MXV EI 25-310 | 1,5 | 2 | M90 V1 | 25 | 250 | 75 | 527 | 205 | 180 | 165 | 100 | 13 | 35,5 | 255 | 782 | 200 | 286 | 190 | 105 | 427,5 | - |
| MXV EI 25-312 | 2,2 | 3 | M90 V1 | 25 | 250 | 75 | 575,5 | 205 | 180 | 165 | 100 | 13 | 35,5 | 295 | 870,5 | 200 | 286 | 210 | 118 | 476 | - |
| MXV EI 25-314 | 2,2 | 3 | M90 V1 | 25 | 250 | 75 | 623,5 | 205 | 180 | 165 | 100 | 13 | 35,5 | 295 | 918,5 | 200 | 286 | 210 | 118 | 524 | - |
| MXV EI 25-316 | 3 | 4 | M100 V1 | 25 | 250 | 75 | 672 | 205 | 180 | 165 | 100 | 13 | 35,5 | 311 | 983 | 250 | 294 | 210 | 118 | 572,5 | - |
| MXV EI 32-504 | 1,1 | 1,5 | M80 V1 | 32 | 250 | 75 | 382,5 | 205 | 180 | 165 | 100 | 13 | 35,5 | 255 | 637,5 | 200 | 286 | 190 | 105 | 283 | - |
| MXV EI 32-505 | 1,1 | 1,5 | M80 V1 | 32 | 250 | 75 | 406,5 | 205 | 180 | 165 | 100 | 13 | 35,5 | 255 | 661,5 | 200 | 286 | 190 | 105 | 307 | - |
| MXV EI 32-506 | 1,5 | 2 | M90 V1 | 32 | 250 | 75 | 430,5 | 205 | 180 | 165 | 100 | 13 | 35,5 | 255 | 685,5 | 200 | 286 | 190 | 105 | 331 | - |
| MXV EI 32-507 | 1,5 | 2 | M90 V1 | 32 | 250 | 75 | 454,5 | 205 | 180 | 165 | 100 | 13 | 35,5 | 255 | 709,5 | 200 | 286 | 190 | 105 | 355 | - |
| MXV EI 32-508 | 2,2 | 3 | M90 V1 | 32 | 250 | 75 | 478,5 | 205 | 180 | 165 | 100 | 13 | 35,5 | 295 | 773,5 | 200 | 286 | 210 | 118 | 379 | - |
| MXV EI 32-510 | 2,2 | 3 | M90 V1 | 32 | 250 | 75 | 527 | 205 | 180 | 165 | 100 | 13 | 35,5 | 295 | 822 | 200 | 286 | 210 | 118 | 427,5 | - |
| MXV EI 32-512 | 3 | 4 | M100 V1 | 32 | 250 | 75 | 575,5 | 205 | 180 | 165 | 100 | 13 | 35,5 | 311 | 886,5 | 250 | 294 | 210 | 118 | 476 | - |
| MXV EI 32-514 | 3 | 4 | M100 V1 | 32 | 250 | 75 | 623,5 | 205 | 180 | 165 | 100 | 13 | 35,5 | 311 | 934,5 | 250 | 294 | 210 | 118 | 524 | - |
| MXV EI 32-516 | 4 | 5,5 | M112 V1 | 32 | 250 | 75 | 672 | 205 | 180 | 165 | 100 | 13 | 35,5 | 311 | 983 | 250 | 294 | 210 | 118 | 572,5 | - |
| MXV EI 40-904 | 1,5 | 2 | M90 V1 | 40 | 280 | 80 | 411,5 | 250 | 215 | 190 | 130 | 14 | 30,5 | 255 | 666,5 | 200 | 286 | 190 | 105 | 312 | - |
| MXV EI 40-905 | 2,2 | 3 | M90 V1 | 40 | 280 | 80 | 441,5 | 250 | 215 | 190 | 130 | 14 | 30,5 | 295 | 736,5 | 200 | 286 | 210 | 118 | 342 | - |
| MXV EI 40-906 | 2,2 | 3 | M90 V1 | 40 | 280 | 80 | 471,5 | 250 | 215 | 190 | 130 | 14 | 30,5 | 295 | 766,5 | 200 | 286 | 210 | 118 | 372 | - |
| MXV EI 40-907 | 3 | 4 | M100 V1 | 40 | 280 | 80 | 501,5 | 250 | 215 | 190 | 130 | 14 | 30,5 | 311 | 812,5 | 250 | 294 | 210 | 118 | 402 | - |
| MXV EI 40-908 | 3 | 4 | M100 V1 | 40 | 280 | 80 | 532 | 250 | 215 | 190 | 130 | 14 | 30,5 | 311 | 843 | 250 | 294 | 210 | 118 | 432,5 | - |
| MXV EI 40-910 | 4 | 5,5 | M112 V1 | 40 | 280 | 80 | 592 | 250 | 215 | 190 | 130 | 14 | 30,5 | 311 | 903 | 250 | 294 | 210 | 118 | 492,5 | - |
| MXV EI 40-911 | 4 | 5,5 | M112 V1 | 40 | 280 | 80 | 622 | 250 | 215 | 190 | 130 | 14 | 30,5 | 311 | 933 | 250 | 294 | 210 | 118 | 522,5 | - |
| MXV EI 40-913 | 5,5 | 7,5 | M132 V1 | 40 | 280 | 80 | 769,5 | 250 | 215 | 190 | 130 | 14 | 30,5 | 339 | 1108,5 | 300 | 321 | 210 | 118 | 583,5 | - |
| MXV EI 40-915 | 5,5 | 7,5 | M132 V1 | 40 | 280 | 80 | 830 | 250 | 215 | 190 | 130 | 14 | 30,5 | 339 | 1169 | 300 | 321 | 210 | 118 | 644 | - |

Dimensions and weights



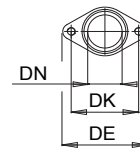
Oval Counterflanges



PN 16

| DN | G | w | Holes | |
|----|-------|----|-------|----|
| | | | N. | Ø |
| 25 | 1 | 23 | 2 | 12 |
| 32 | 1 1/4 | 23 | 2 | 12 |
| 40 | 1 1/2 | 26 | 2 | 15 |

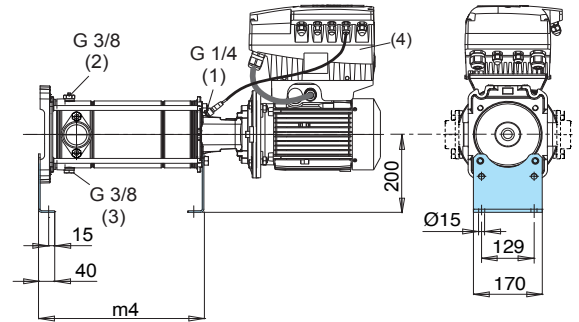
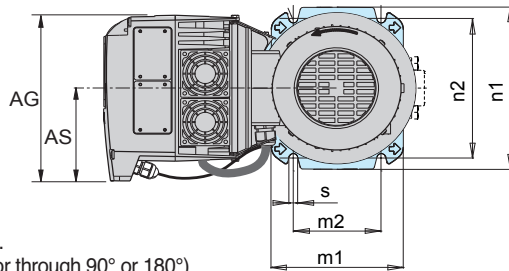
Oval Flanges



PN 16

| DN | DE | DK | Holes | |
|----|-----|-----|-------|-----|
| | | | N. | Ø |
| 25 | 95 | 75 | 2 | M10 |
| 32 | 95 | 75 | 2 | M10 |
| 40 | 125 | 100 | 2 | M12 |

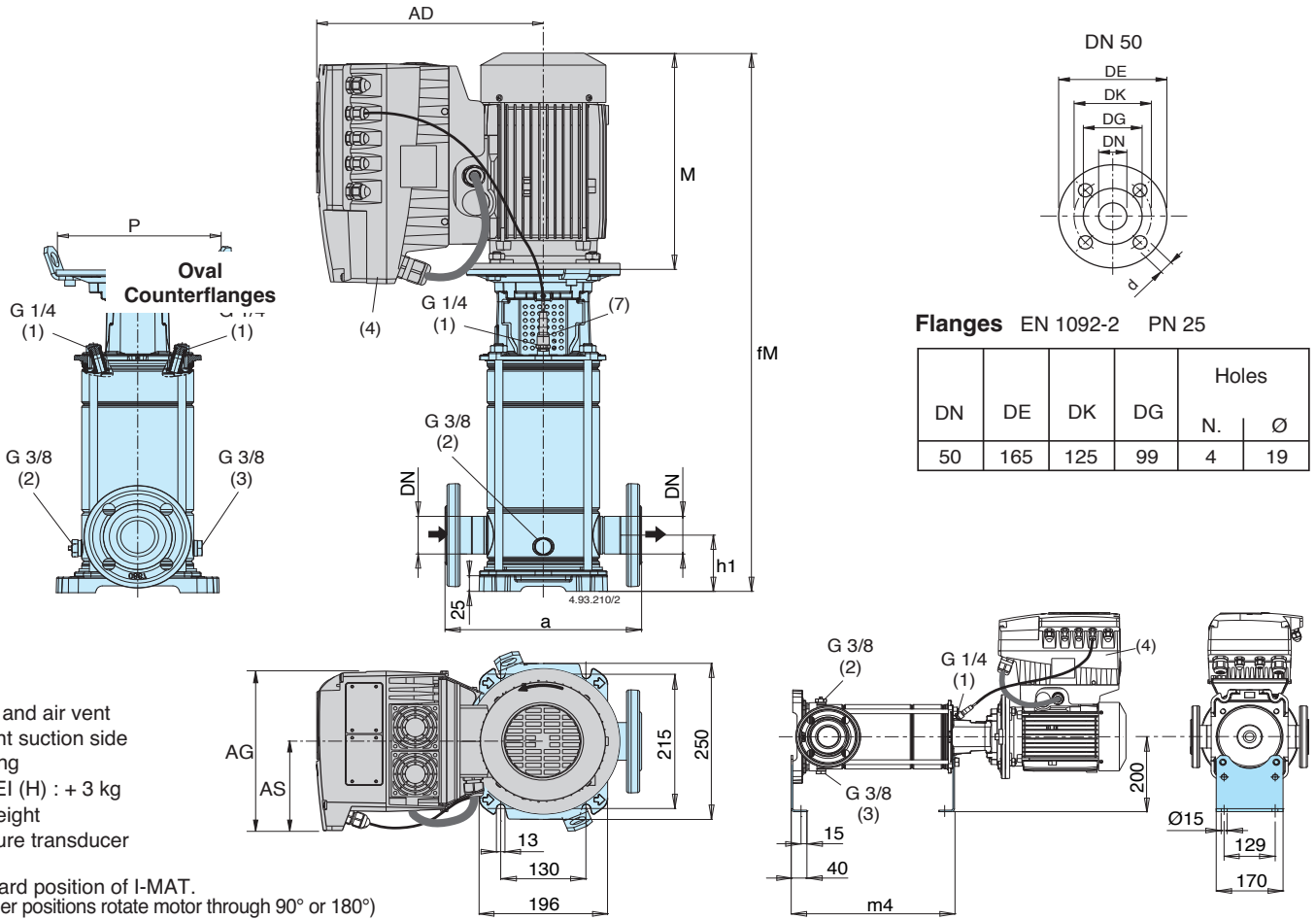
- (1) Filling and air vent
- (2) Air vent suction side
- (3) Draining
- (5) MXV EI (H) : + 3 kg
- (6) Net weight
- (7) Pressure transducer



- (4) Standard position of I-MAT.
(for other positions rotate motor through 90° or 180°)

| Pump | Motor | | mm | | | | | | | | | | | | | | | | | (5) (6) kg | |
|-----------------|-------|-----|---------|----|-----|----|-------|-----|-----|-----|-----|----|------|-----|--------|-----|-----|-----|-----|------------------|---|
| | kW | HP | DN | a | h1 | f | n1 | n2 | m1 | m2 | s | g1 | M | fM | P | AD | AG | AS | m4 | | |
| MXV EI 25-304 O | 0,75 | 1 | M80 V1 | 25 | 160 | 50 | 367 | 205 | 180 | 165 | 100 | 13 | 20 | 255 | 622 | 200 | 286 | 190 | 105 | 268 | - |
| MXV EI 25-305 O | 0,75 | 1 | M80 V1 | 25 | 160 | 50 | 391 | 205 | 180 | 165 | 100 | 13 | 20 | 255 | 646 | 200 | 286 | 190 | 105 | 292 | - |
| MXV EI 25-306 O | 1,1 | 1,5 | M80 V1 | 25 | 160 | 50 | 415 | 205 | 180 | 165 | 100 | 13 | 20 | 255 | 670 | 200 | 286 | 190 | 105 | 316 | - |
| MXV EI 25-307 O | 1,1 | 1,5 | M80 V1 | 25 | 160 | 50 | 439 | 205 | 180 | 165 | 100 | 13 | 20 | 255 | 694 | 200 | 286 | 190 | 105 | 340 | - |
| MXV EI 25-308 O | 1,5 | 2 | M90 V1 | 25 | 160 | 50 | 463 | 205 | 180 | 165 | 100 | 13 | 20 | 255 | 718 | 200 | 286 | 190 | 105 | 364 | - |
| MXV EI 25-310 O | 1,5 | 2 | M90 V1 | 25 | 160 | 50 | 511,5 | 205 | 180 | 165 | 100 | 13 | 20 | 255 | 766,5 | 200 | 286 | 190 | 105 | 412,5 | - |
| MXV EI 25-312 O | 2,2 | 3 | M90 V1 | 25 | 160 | 50 | 560 | 205 | 180 | 165 | 100 | 13 | 20 | 295 | 855 | 200 | 286 | 210 | 118 | 461 | - |
| MXV EI 25-314 O | 2,2 | 3 | M90 V1 | 25 | 160 | 50 | 608 | 205 | 180 | 165 | 100 | 13 | 20 | 295 | 903 | 200 | 286 | 210 | 118 | 509 | - |
| MXV EI 32-504 O | 1,1 | 1,5 | M80 V1 | 32 | 160 | 50 | 367 | 205 | 180 | 165 | 100 | 13 | 20 | 255 | 622 | 200 | 286 | 190 | 105 | 267,5 | - |
| MXV EI 32-505 O | 1,1 | 1,5 | M80 V1 | 32 | 160 | 50 | 391 | 205 | 180 | 165 | 100 | 13 | 20 | 255 | 646 | 200 | 286 | 190 | 105 | 291,5 | - |
| MXV EI 32-506 O | 1,5 | 2 | M90 V1 | 32 | 160 | 50 | 415 | 205 | 180 | 165 | 100 | 13 | 20 | 255 | 670 | 200 | 286 | 190 | 105 | 315,5 | - |
| MXV EI 32-507 O | 1,5 | 2 | M90 V1 | 32 | 160 | 50 | 439 | 205 | 180 | 165 | 100 | 13 | 20 | 255 | 694 | 200 | 286 | 190 | 105 | 339,5 | - |
| MXV EI 32-508 O | 2,2 | 3 | M90 V1 | 32 | 160 | 50 | 463 | 205 | 180 | 165 | 100 | 13 | 20 | 295 | 758 | 200 | 286 | 210 | 118 | 363,5 | - |
| MXV EI 32-510 O | 2,2 | 3 | M90 V1 | 32 | 160 | 50 | 511,5 | 205 | 180 | 165 | 100 | 13 | 20 | 295 | 806,5 | 200 | 286 | 210 | 118 | 412 | - |
| MXV EI 32-512 O | 3 | 4 | M100 V1 | 32 | 160 | 50 | 560 | 205 | 180 | 165 | 100 | 13 | 20 | 311 | 871 | 250 | 294 | 210 | 118 | 460,5 | - |
| MXV EI 32-514 O | 3 | 4 | M100 V1 | 32 | 160 | 50 | 608 | 205 | 180 | 165 | 100 | 13 | 20 | 311 | 919 | 250 | 294 | 210 | 118 | 508,5 | - |
| MXV EI 40-904 O | 1,5 | 2 | M90 V1 | 40 | 200 | 80 | 411,5 | 250 | 215 | 190 | 130 | 14 | 30,5 | 255 | 666,5 | 200 | 286 | 190 | 105 | 312 | - |
| MXV EI 40-905 O | 2,2 | 3 | M90 V1 | 40 | 200 | 80 | 441,5 | 250 | 215 | 190 | 130 | 14 | 30,5 | 295 | 736,5 | 200 | 286 | 210 | 118 | 342 | - |
| MXV EI 40-906 O | 2,2 | 3 | M90 V1 | 40 | 200 | 80 | 471,5 | 250 | 215 | 190 | 130 | 14 | 30,5 | 295 | 766,5 | 200 | 286 | 210 | 118 | 372 | - |
| MXV EI 40-907 O | 3 | 4 | M100 V1 | 40 | 200 | 80 | 501,5 | 250 | 215 | 190 | 130 | 14 | 30,5 | 311 | 812,5 | 250 | 294 | 210 | 118 | 402 | - |
| MXV EI 40-908 O | 3 | 4 | M100 V1 | 40 | 200 | 80 | 532 | 250 | 215 | 190 | 130 | 14 | 30,5 | 311 | 843 | 250 | 294 | 210 | 118 | 432,5 | - |
| MXV EI 40-910 O | 4 | 5,5 | M112 V1 | 40 | 200 | 80 | 592 | 250 | 215 | 190 | 130 | 14 | 30,5 | 311 | 903 | 250 | 294 | 210 | 118 | 492,5 | - |
| MXV EI 40-911 O | 4 | 5,5 | M112 V1 | 40 | 200 | 80 | 622 | 250 | 215 | 190 | 130 | 14 | 30,5 | 311 | 933 | 250 | 294 | 210 | 118 | 522,5 | - |
| MXV EI 40-913 O | 5,5 | 7,5 | M132 V1 | 40 | 200 | 80 | 769,5 | 250 | 215 | 190 | 130 | 14 | 30,5 | 339 | 1108,5 | 300 | 321 | 210 | 118 | 583,5 | - |

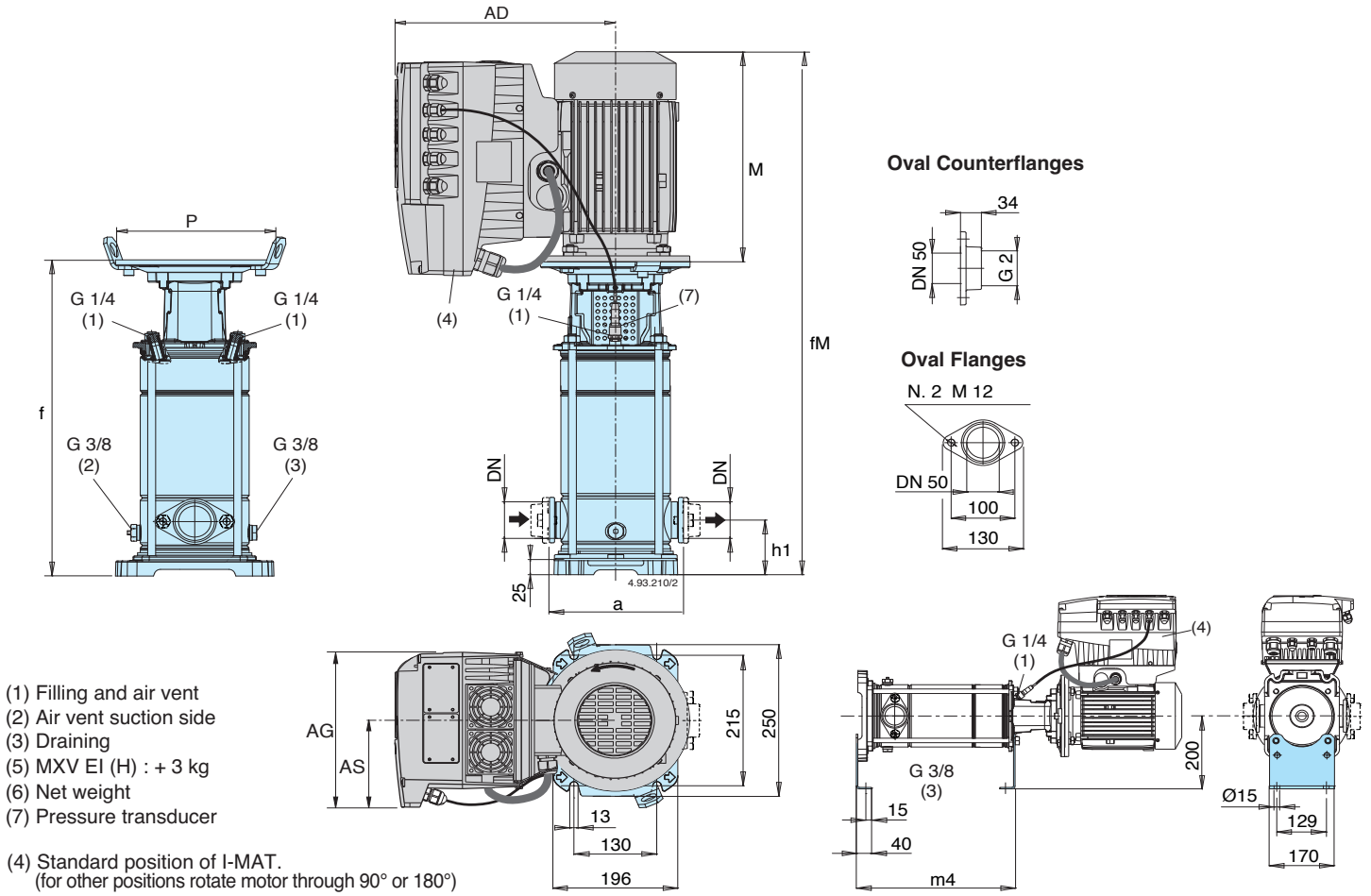
Dimensions and weights



- (1) Filling and air vent
- (2) Air vent suction side
- (3) Draining
- (4) MXV EI (H) : + 3 kg
- (5) Net weight
- (6) Pressure transducer
- (7) Standard position of I-MAT.
(for other positions rotate motor through 90° or 180°)

| Pump | Motor | | | mm | | | | | | | | | | | (5) (6) kg |
|------------------|-------|------|---------|----|-----|----|------|-----|------|-----|-----|-----|-----|------|------------------|
| | kW | HP | | DN | a | h1 | f | M | fM | P | AD | AG | AS | m4 | |
| MXV EI 50-1502 | 1,5 | 2 | M90 V1 | 50 | 300 | 90 | 438 | 255 | 693 | 200 | 286 | 190 | 105 | 313 | 47,6 |
| MXV EI 50-1503/A | 2,2 | 3 | M90 V1 | 50 | 300 | 90 | 486 | 311 | 797 | 200 | 294 | 210 | 118 | 361 | 62,5 |
| MXV EI 50-1504 | 3 | 4 | M100 V1 | 50 | 300 | 90 | 534 | 311 | 845 | 250 | 294 | 210 | 118 | 409 | 64,9 |
| MXV EI 50-1505 | 4 | 5,5 | M112 V1 | 50 | 300 | 90 | 582 | 311 | 893 | 250 | 294 | 210 | 118 | 457 | 69,1 |
| MXV EI 50-1506 | 5,5 | 7,5 | M132 V1 | 50 | 300 | 90 | 693 | 339 | 1032 | 300 | 321 | 210 | 118 | 505 | 94,6 |
| MXV EI 50-1507 | 5,5 | 7,5 | M132 V1 | 50 | 300 | 90 | 741 | 339 | 1080 | 300 | 321 | 210 | 118 | 553 | 96,0 |
| MXV EI 50-1508/A | 5,5 | 7,5 | M132 V1 | 50 | 300 | 90 | 789 | 339 | 1128 | 300 | 368 | 281 | 153 | 601 | 97,5 |
| MXV EI 50-1509 | 7,5 | 10 | M132 V1 | 50 | 300 | 90 | 837 | 339 | 1176 | 300 | 368 | 281 | 153 | 649 | 111,1 |
| MXV EI 50-1510 | 7,5 | 10 | M132 V1 | 50 | 300 | 90 | 885 | 339 | 1224 | 300 | 368 | 281 | 153 | 697 | 112,6 |
| MXV EI 50-1511 | 9,2 | 12,5 | M160 V1 | 50 | 300 | 90 | 963 | 413 | 1376 | 350 | 393 | 281 | 153 | 745 | 145 |
| MXV EI 50-1512 | 9,2 | 12,5 | M160 V1 | 50 | 300 | 90 | 1011 | 413 | 1424 | 350 | 393 | 281 | 153 | 793 | 146,5 |
| MXV EI 50-1513 | 11 | 15 | M160 V1 | 50 | 300 | 90 | 1059 | 459 | 1518 | 350 | 393 | 281 | 153 | 841 | 151,5 |
| MXV EI 50-1514 | 11 | 15 | M160 V1 | 50 | 300 | 90 | 1107 | 459 | 1566 | 350 | 393 | 281 | 153 | 889 | 153,0 |
| MXV EI 50-1515 | 11 | 15 | M160 V1 | 50 | 300 | 90 | 1155 | 459 | 1614 | 350 | 393 | 281 | 153 | 937 | 154,5 |
| MXV EI 50-1516 | 15 | 20 | M160 V1 | 50 | 300 | 90 | 1203 | 484 | 1687 | 350 | 471 | 350 | 190 | 985 | 202,1 |
| MXV EI 50-1517 | 15 | 20 | M160 V1 | 50 | 300 | 90 | 1251 | 484 | 1735 | 350 | 471 | 350 | 190 | 1033 | 203,6 |
| MXV EI 50-2002 | 2,2 | 3 | M90 V1 | 50 | 300 | 90 | 438 | 295 | 733 | 200 | 286 | 210 | 118 | 313 | 53,0 |
| MXV EI 50-2003 | 3 | 4 | M100 V1 | 50 | 300 | 90 | 486 | 311 | 797 | 250 | 294 | 210 | 118 | 361 | 63,4 |
| MXV EI 50-2004 | 4 | 5,5 | M112 V1 | 50 | 300 | 90 | 534 | 311 | 845 | 250 | 294 | 210 | 118 | 409 | 67,6 |
| MXV EI 50-2005 | 5,5 | 7,5 | M132 V1 | 50 | 300 | 90 | 645 | 339 | 984 | 300 | 321 | 210 | 118 | 457 | 93,1 |
| MXV EI 50-2006 | 7,5 | 10 | M132 V1 | 50 | 300 | 90 | 693 | 339 | 1032 | 300 | 368 | 281 | 153 | 505 | 106,8 |
| MXV EI 50-2007 | 7,5 | 10 | M132 V1 | 50 | 300 | 90 | 741 | 339 | 1080 | 300 | 368 | 281 | 153 | 553 | 108,2 |
| MXV EI 50-2008 | 9,2 | 12,5 | M160 V1 | 50 | 300 | 90 | 819 | 413 | 1232 | 350 | 393 | 281 | 153 | 601 | 140,7 |
| MXV EI 50-2009 | 9,2 | 12,5 | M160 V1 | 50 | 300 | 90 | 867 | 413 | 1280 | 350 | 393 | 281 | 153 | 649 | 142,1 |
| MXV EI 50-2010 | 11 | 15 | M160 V1 | 50 | 300 | 90 | 915 | 459 | 1374 | 350 | 393 | 281 | 153 | 697 | 147,2 |
| MXV EI 50-2011 | 11 | 15 | M160 V1 | 50 | 300 | 90 | 963 | 459 | 1422 | 350 | 393 | 281 | 153 | 745 | 148,6 |
| MXV EI 50-2012 | 15 | 20 | M160 V1 | 50 | 300 | 90 | 1011 | 484 | 1495 | 350 | 471 | 350 | 190 | 793 | 196,3 |
| MXV EI 50-2013 | 15 | 20 | M160 V1 | 50 | 300 | 90 | 1059 | 484 | 1543 | 350 | 471 | 350 | 190 | 841 | 197,7 |
| MXV EI 50-2014 | 15 | 20 | M160 V1 | 50 | 300 | 90 | 1107 | 484 | 1591 | 350 | 471 | 350 | 190 | 889 | 199,2 |
| MXV EI 50-2015 | 15 | 20 | M160 V1 | 50 | 300 | 90 | 1155 | 484 | 1639 | 350 | 471 | 350 | 190 | 937 | 200,7 |
| MXV EI 50-2016 | 18,5 | 25 | M160 V1 | 50 | 300 | 90 | 1203 | 538 | 1741 | 350 | 491 | 350 | 190 | 985 | 222,1 |

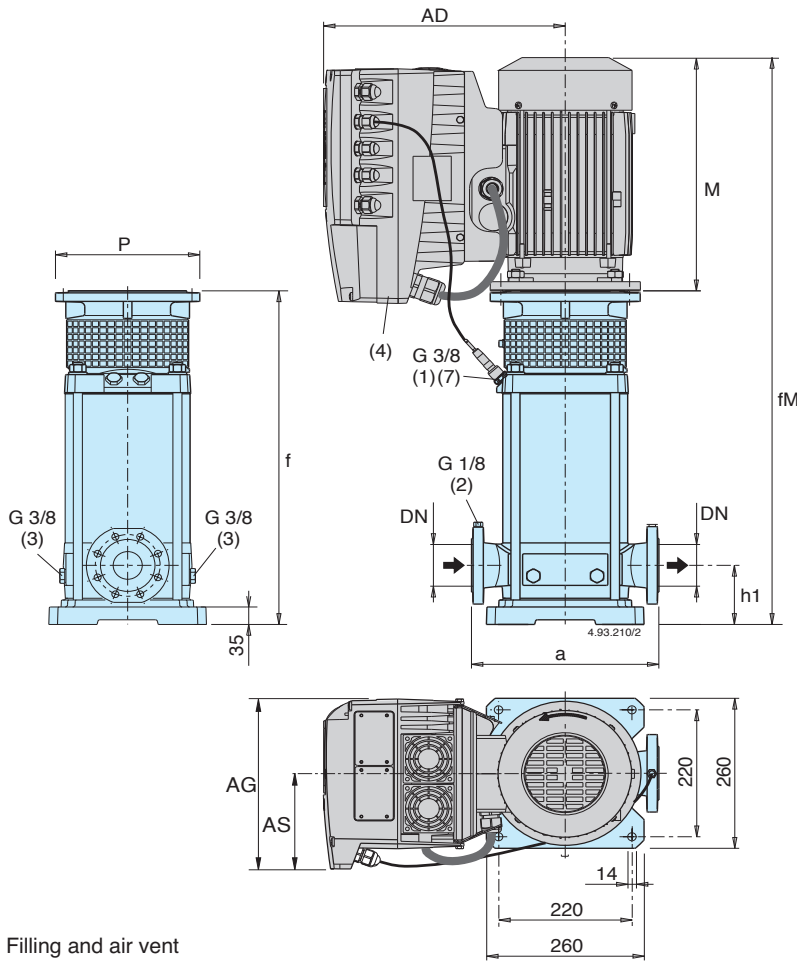
Dimensions and weights



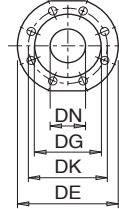
- (1) Filling and air vent
- (2) Air vent suction side
- (3) Draining
- (5) MXV EI (H) : + 3 kg
- (6) Net weight
- (7) Pressure transducer
- (4) Standard position of I-MAT.
(for other positions rotate motor through 90° or 180°)

| Pump | Motor | | mm | | | | | | | | | | | (5) (6) kg | |
|--------------------|-------|------|---------|----|-----|----|-----|-----|------|-----|-----|-----|-----|------------------|-------|
| | kW | HP | DN | a | h1 | f | M | fM | P | AD | AG | AS | m4 | | |
| MXV EI 50-1502 O | 1,5 | 2 | M90 V1 | 50 | 200 | 90 | 438 | 255 | 693 | 200 | 286 | 190 | 105 | 313 | 44,8 |
| MXV EI 50-1503/A O | 2,2 | 3 | M90 V1 | 50 | 200 | 90 | 486 | 311 | 797 | 200 | 294 | 210 | 118 | 361 | 59,7 |
| MXV EI 50-1504 O | 3 | 4 | M100 V1 | 50 | 200 | 90 | 534 | 311 | 845 | 250 | 294 | 210 | 118 | 409 | 62,1 |
| MXV EI 50-1505 O | 4 | 5,5 | M112 V1 | 50 | 200 | 90 | 582 | 311 | 893 | 250 | 294 | 210 | 118 | 457 | 66,3 |
| MXV EI 50-1506 O | 5,5 | 7,5 | M132 V1 | 50 | 200 | 90 | 693 | 339 | 1032 | 300 | 321 | 210 | 118 | 505 | 91,8 |
| MXV EI 50-1507 O | 5,5 | 7,5 | M132 V1 | 50 | 200 | 90 | 741 | 339 | 1080 | 300 | 321 | 210 | 118 | 553 | 93,2 |
| MXV EI 50-1508/A O | 5,5 | 7,5 | M132 V1 | 50 | 200 | 90 | 789 | 339 | 1128 | 300 | 368 | 281 | 153 | 601 | 95,2 |
| MXV EI 50-1509 O | 7,5 | 10 | M132 V1 | 50 | 200 | 90 | 837 | 339 | 1176 | 300 | 368 | 281 | 153 | 649 | 108,3 |
| MXV EI 50-1510 O | 7,5 | 10 | M132 V1 | 50 | 200 | 90 | 885 | 339 | 1224 | 300 | 368 | 281 | 153 | 697 | 109,8 |
| MXV EI 50-2002 O | 2,2 | 3 | M90 V1 | 50 | 200 | 90 | 438 | 295 | 733 | 200 | 286 | 210 | 118 | 313 | 50,2 |
| MXV EI 50-2003 O | 3 | 4 | M100 V1 | 50 | 200 | 90 | 486 | 311 | 797 | 250 | 294 | 210 | 118 | 361 | 60,7 |
| MXV EI 50-2004 O | 4 | 5,5 | M112 V1 | 50 | 200 | 90 | 534 | 311 | 845 | 250 | 294 | 210 | 118 | 409 | 64,8 |
| MXV EI 50-2005 O | 5,5 | 7,5 | M132 V1 | 50 | 200 | 90 | 645 | 339 | 984 | 300 | 321 | 210 | 118 | 457 | 90,3 |
| MXV EI 50-2006 O | 7,5 | 10 | M132 V1 | 50 | 200 | 90 | 693 | 339 | 1032 | 300 | 368 | 281 | 153 | 505 | 104,0 |
| MXV EI 50-2007 O | 7,5 | 10 | M132 V1 | 50 | 200 | 90 | 741 | 339 | 1080 | 300 | 368 | 281 | 153 | 553 | 105,4 |
| MXV EI 50-2008 O | 9,2 | 12,5 | M160 V1 | 50 | 200 | 90 | 819 | 413 | 1232 | 350 | 393 | 281 | 153 | 601 | 137,9 |
| MXV EI 50-2009 O | 9,2 | 12,5 | M160 V1 | 50 | 200 | 90 | 867 | 413 | 1280 | 350 | 393 | 281 | 153 | 649 | 139,3 |
| MXV EI 50-2010 O | 11 | 15 | M160 V1 | 50 | 200 | 90 | 915 | 459 | 1374 | 350 | 393 | 281 | 153 | 697 | 144,4 |

Dimensions and weights

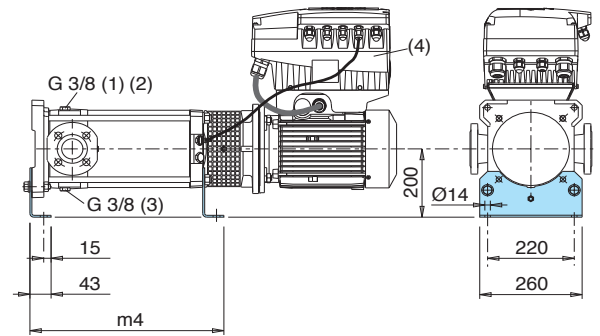


DN 65-80



Flanges in accordance
EN 1092-2 PN 25 - 40

| DN | DE | DK | DG | Holes | |
|----|-----|-----|-----|-------|----|
| | | | | N. | Ø |
| 65 | 185 | 145 | 118 | 8 | 19 |
| 80 | 200 | 160 | 132 | 8 | 19 |

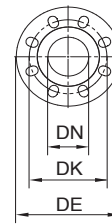
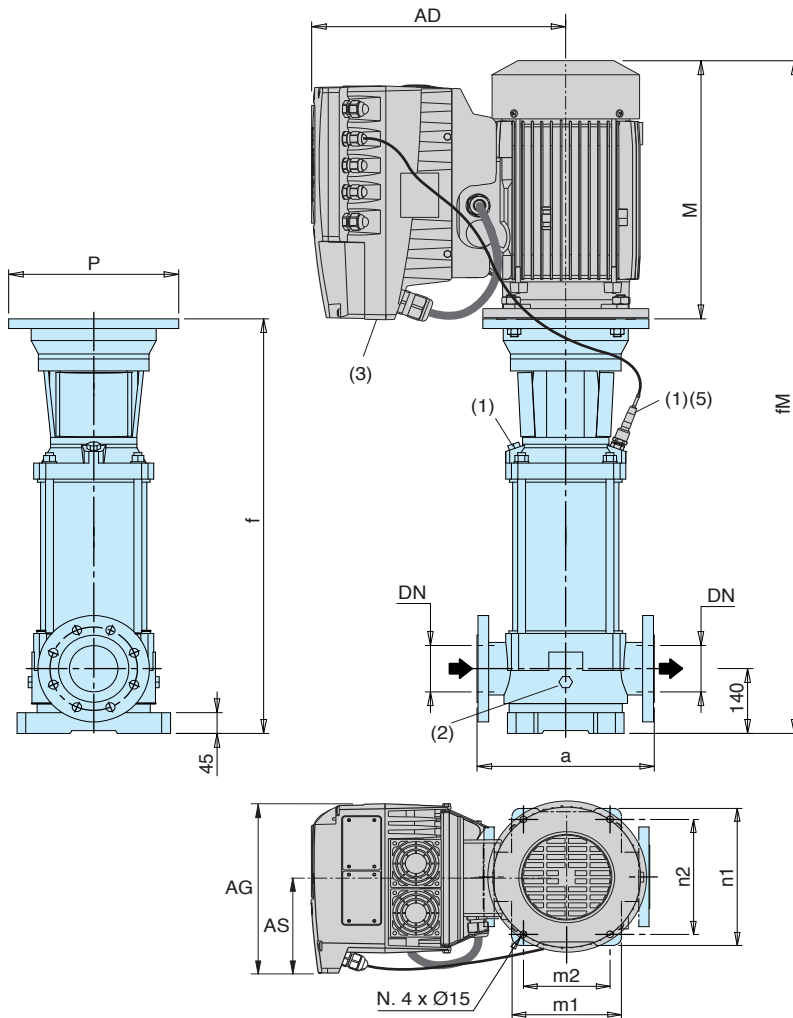


- (1) Filling and air vent
- (2) Air vent suction side
- (3) Draining
- (4) Standard position of I-MAT
(for other positions rotate motor through 90° or 180°)

- (5) MXV (L) : + 3 kg, MXV (H) : + 3 kg
- (6) Net weight (7) Pressure transducer

| Pump | Motor | | | mm | | | | | | | | | | MXV EI (5) kg (6) | |
|------------------|-------|-----|---------|----|-----|-----|-----|-----|------|-----|-----|-----|-----|-------------------------|-------|
| | kW | HP | Motor | DN | a | h1 | f | M | fM | P | AD | AG | AS | | m4 |
| MXV EI 65-3202/D | 4 | 5,5 | M112 V1 | 65 | 320 | 105 | 407 | 311 | 718 | 250 | 294 | 210 | 118 | 334 | 80,8 |
| MXV EI 65-3203/C | 5,5 | 7,5 | M132 V1 | 65 | 320 | 105 | 473 | 339 | 812 | 300 | 321 | 210 | 118 | 380 | 101,3 |
| MXV EI 65-3204/C | 7,5 | 10 | M132 V1 | 65 | 320 | 105 | 519 | 339 | 858 | 300 | 368 | 281 | 153 | 426 | 115,5 |
| MXV EI 65-3205/D | 11 | 15 | M160 V1 | 65 | 320 | 105 | 595 | 459 | 1054 | 350 | 393 | 281 | 153 | 472 | 152,8 |
| MXV EI 65-3206/D | 11 | 15 | M160 V1 | 65 | 320 | 105 | 641 | 459 | 1100 | 350 | 393 | 281 | 153 | 518 | 154,8 |
| MXV EI 65-3207/D | 15 | 20 | M160 V1 | 65 | 320 | 105 | 687 | 484 | 1171 | 350 | 471 | 350 | 190 | 564 | 203 |
| MXV EI 65-3208/D | 15 | 20 | M160 V1 | 65 | 320 | 105 | 733 | 484 | 1217 | 350 | 471 | 350 | 190 | 610 | 205 |
| MXV EI 65-3209/E | 18,5 | 25 | M160 V1 | 65 | 320 | 105 | 779 | 538 | 1317 | 350 | 491 | 350 | 190 | 656 | 227 |
| MXV EI 65-3210/E | 18,5 | 25 | M160 V1 | 65 | 320 | 105 | 825 | 538 | 1363 | 350 | 491 | 350 | 190 | 702 | 229 |
| MXV EI 65-3212/D | 22 | 30 | M180 V1 | 65 | 320 | 105 | 917 | 538 | 1455 | 350 | 491 | 350 | 190 | 794 | 239 |
| MXV EI 80-4802/C | 5,5 | 7,5 | M132 V1 | 80 | 320 | 105 | 466 | 339 | 805 | 300 | 321 | 210 | 118 | 373 | 101,3 |
| MXV EI 80-4803/C | 7,5 | 10 | M132 V1 | 80 | 320 | 105 | 527 | 339 | 866 | 300 | 368 | 281 | 153 | 434 | 116,5 |
| MXV EI 80-4804/D | 11 | 15 | M160 V1 | 80 | 320 | 105 | 618 | 459 | 1077 | 350 | 393 | 281 | 153 | 495 | 154,8 |
| MXV EI 80-4805/D | 15 | 20 | M160 V1 | 80 | 320 | 105 | 680 | 484 | 1164 | 350 | 471 | 350 | 190 | 557 | 203 |
| MXV EI 80-4806/D | 15 | 20 | M160 V1 | 80 | 320 | 105 | 741 | 484 | 1225 | 350 | 471 | 350 | 190 | 618 | 206 |
| MXV EI 80-4807/E | 18,5 | 25 | M160 V1 | 80 | 320 | 105 | 802 | 538 | 1340 | 350 | 491 | 350 | 190 | 679 | 229 |
| MXV EI 80-4808/D | 22 | 30 | M180 V1 | 80 | 320 | 105 | 864 | 538 | 1402 | 350 | 491 | 350 | 190 | 741 | 238 |

Dimensions and weights



Flanges in accordance EN 1092-2

| DN | PN | DE | DK | Holes | |
|-----|----|-----|-----|-------|----|
| | | | | N. | Ø |
| 100 | 16 | 230 | 180 | 8 | 19 |
| 100 | 25 | 225 | 190 | 8 | 23 |

- (1) Filling and air vent
- (2) Draining
- (3) Standard position of I-MAT
(for other positions rotate motor through 90° or 180°)
- (4) Net weight
- (5) Pressure transducer

| Pump | Motor | | | | mm | | | | | | | | | | | | MXV EI kg (4) |
|----------------------|-------|-----|----|---------|-----|------|-----|-----|-----|-----|-----|------|-----|-----|-----|-----|------------------|
| | kW | HP | PN | Size | a | f | n1 | n2 | m1 | m2 | M | fm | P | AD | AG | AS | |
| MXV EI 100-6501/A | 5,5 | 7,5 | 16 | M132 V1 | 365 | 737 | 316 | 265 | 240 | 190 | 339 | 1076 | 300 | 321 | 210 | 118 | 131,3 |
| MXV EI 100-6502-2R/A | 7,5 | 10 | 16 | M132 V1 | 365 | 829 | 316 | 265 | 240 | 190 | 339 | 1168 | 300 | 368 | 281 | 153 | 142,6 |
| MXV EI 100-6502/A | 11 | 15 | 16 | M160 V1 | 365 | 849 | 316 | 265 | 240 | 190 | 459 | 1308 | 350 | 393 | 281 | 153 | 179,3 |
| MXV EI 100-6503-2R/A | 15 | 20 | 16 | M160 V1 | 365 | 941 | 316 | 265 | 240 | 190 | 484 | 1425 | 350 | 471 | 350 | 190 | 230 |
| MXV EI 100-6503/B | 18,5 | 25 | 16 | M160 V1 | 365 | 941 | 316 | 265 | 240 | 190 | 538 | 1479 | 350 | 491 | 350 | 190 | 250 |
| MXV EI 100-6504-2R/B | 18,5 | 25 | 16 | M160 V1 | 365 | 1033 | 316 | 265 | 240 | 190 | 538 | 1571 | 350 | 4-1 | 350 | 190 | 254,5 |
| MXV EI 100-6504/A | 22 | 30 | 16 | M180 V1 | 365 | 1033 | 316 | 265 | 240 | 190 | 538 | 1571 | 350 | 491 | 350 | 190 | 262 |
| MXV EI 100-9001/A | 7,5 | 10 | 16 | M132 V1 | 380 | 737 | 341 | 280 | 260 | 199 | 339 | 1076 | 300 | 368 | 281 | 153 | 139,6 |
| MXV EI 100-9002-2R/A | 11 | 15 | 16 | M160 V1 | 380 | 849 | 341 | 280 | 260 | 199 | 459 | 1308 | 350 | 393 | 281 | 153 | 179,8 |
| MXV EI 100-9002/A | 15 | 20 | 16 | M160 V1 | 380 | 849 | 341 | 280 | 260 | 199 | 484 | 1333 | 350 | 471 | 350 | 190 | 226 |
| MXV EI 100-9003-2R/B | 18,5 | 25 | 16 | M160 V1 | 380 | 941 | 341 | 280 | 260 | 199 | 538 | 1479 | 350 | 491 | 350 | 190 | 250 |
| MXV EI 100-9003/A | 22 | 30 | 16 | M180 V1 | 380 | 941 | 341 | 280 | 260 | 199 | 538 | 1479 | 350 | 491 | 350 | 190 | 257 |

Features

Long Service Life with Standard Motor

Pump with thrust bearing without additional axial loads on the motor bearings. Any standard motor V1 design (suitable to be lifted in vertical position) can be used, of our choice or of Client's choice.

Easy Assembly of the Motor

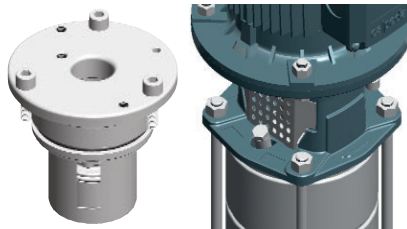
With the single-piece sleeve coupling the pump unit can be supplied fully assembled also without the motor. This eliminates the risk of damage caused by shifting of the pump shaft during transportation.

The motor is simply inserted in the coupling and fastened to the flange without the necessity for adapting the axial position of the pump shaft.

Removable mechanical Seal

Easy removal of the mechanical seal without dismantling the motor (for MXV 25,32,40,50 and MXV 100 with motors exceeding 4 KW).

MXV 25,32,40,50



Extra Safety

Single-piece coupling guard to be removed only by means of a tool, positioned around the lantern bracket, thus avoiding accidental pushing and rubbing against the coupling.

Low Cost Installation

Vertical construction with reduced pump height for installation in small spaces.

In-line connections to simplify the piping layout with the possibility of inserting the pump in straight pipe-lines.

Disassembly, inspection or cleaning of internal parts without removal of piping.

Robust and Reliable

Single PN 25 construction for all pump sizes.

The suction and discharge nozzles arranged in-line absorb the forces of the piping on the pump without the creation of distorting loads causing local friction and early wears.

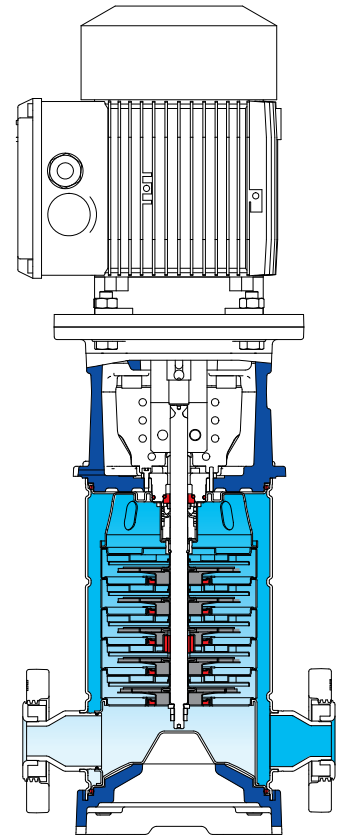
The lantern brackets compact and robust design maintains a sure alignment between rotating and fixed parts, reducing vibration.

The upper cover design prevents entrapment of air around the mechanical seal.

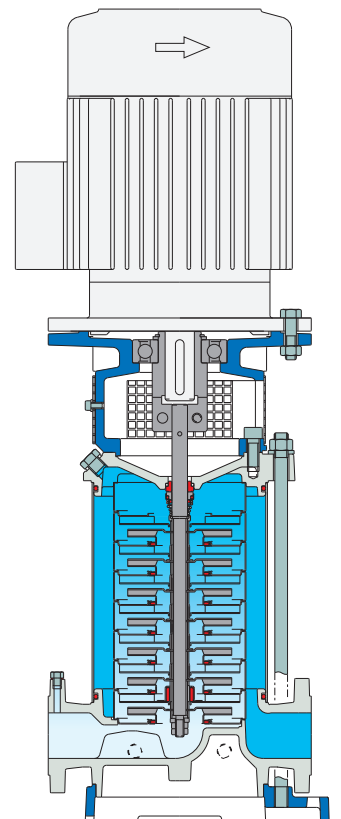
Low-Noise Operation

The water filled shroud around the stages and thick external walls, work together for low-noise operation.

Low-noise standard motor.



MXV 25, 32, 40, 50



MXV 65, 80



The electropumps MXVL series comply with the European Regulation no. 547/2012.

MXVL 25, 32, 40, 50

All parts that come into contact with the liquid, including wet-end covers, are in chrome-nickel-molybdenum stainless steel AISI 316L.

Materials (wetted parts)

| Component | Material |
|-------------------------------|--|
| Flange | Stainless Steel 1.4404 EN 10088 (AISI 316L) |
| External jacket | |
| Suction casing | |
| Delivery casing | |
| Stage casing | |
| Impeller | |
| Lower cover | |
| Upper cover | |
| Spacer sleeve | |
| Pump shaft | |
| Plug | |
| Bearing sleeve | Corrosion-resistant, cemented carbide Ceramic alumina |
| Bearing in stage casing | |
| Mechanical seal ISO 3069 - KU | Hard metal/Carbon/EPDM. |
| Wear ring | PPS (PTFE for MXV 40) |
| O-rings | NBR (EPDM for MXV 50) |
| Oval Counterflanges | Stainless Steel (AISI 316) |
| Counterflanges (on request) | Stainless Steel (AISI 316) |

Direction of rotation: clockwise as seen from the motor.

Variants (to be specified when ordering)

- Pump with flanged ports (F).
- Pump with oval flange ports (O) (for MXVL 25, 32, 40, 50).
- Pump without motor.
- Pump with standard motor.

Other variants (on request)

- With counter-flanges in chrome-nickel steel.
- O-rings FPM. Other mechanical seal.
- Pump with motor of Client's choice (if available).
- Single-phase motor 230 V, up to 2.2 kW.
- Pump with support feet for horizontal installation (H1 or H2).
- Other voltage ratings. Frequency 60 Hz.

Construction

Vertical multi-stage pumps with suction and delivery connections of the same diameter and arranged along the same axis (in-line).
Corrosion-resistant bearing sleeves lubricated by the pumped liquid.
Removal of the mechanical seal without dismantling the motor (for MXVL 25, 32, 40, 50, 100 with motors exceeding 4 kW).
A pump with thrust bearing and sleeve coupling for use of any standard motor with IM V1 construction.

Version with frequency converter (on request)

Applications

For water supply systems.
For clean non-explosive liquids, without solid, filamentary or abrasive matter (with adaptation of sealing materials on request).
A universal pump for civil and industrial use, for pressure-boosting systems, fire-extinguishing systems, high-pressure washing plants, irrigation, agricultural uses and sport installations.

Operating conditions

Temperature of liquid: from -15 °C to +110 °C.
Operating environment temperature: up to 40 °C.
Maximum permissible pressure in pump casing: 25 bar.
(16 bar for pumps with oval flanges).

Motor

Standard-type: 2-pole induction motor, 50 Hz (n ≈ 2900 rpm).
Construction IM V1 (EN 60034-7).
Motor suitable for operation with frequency converter.
Classification scheme IE3 for three-phase motors.
Insulation class F.
Protection IP 55.
three-phase with rated voltage: up to 3 kW 230/400 V;
from 4 kW 400/690 V.

MXVL 65, 80, 100

Internal parts in contact with the liquid with pump casing and upper cover in chrome-nickel-molybdenum stainless steel AISI 316L.

Materials (wetted parts)

| Component | Material |
|-------------------------------|--|
| Pump casing | Stainless Steel 1.4404 EN 10088 (AISI 316L) |
| Upper cover | |
| External jacket | Stainless Steel 1.4404 EN 10088 (AISI 316L) |
| Stage casing | |
| Impeller | |
| Spacer sleeve | |
| Pump shaft | Stainless Steel (AISI 316L)(AISI 329 for MXVL 100) Stainless Steel 1.4404 EN 10088 (AISI 316L) |
| Plug | |
| Bearing sleeve | Corrosion-resistant, cemented carbide Ceramic alumina (Corrosion-resistant, cemented carbide for MXVL 100) |
| Bearing in stage casing | |
| Mechanical seal ISO 3069 - KU | Hard metal/Carbon/EPDM |
| Wear ring | PTFE |
| O-rings | NBR (EPDM for MXV 100) |
| Counterflanges (on request) | Stainless Steel (AISI 316) |

Direction of rotation: anticlockwise as seen from the motor.
(clockwise as seen from the motor for MXVL 100)

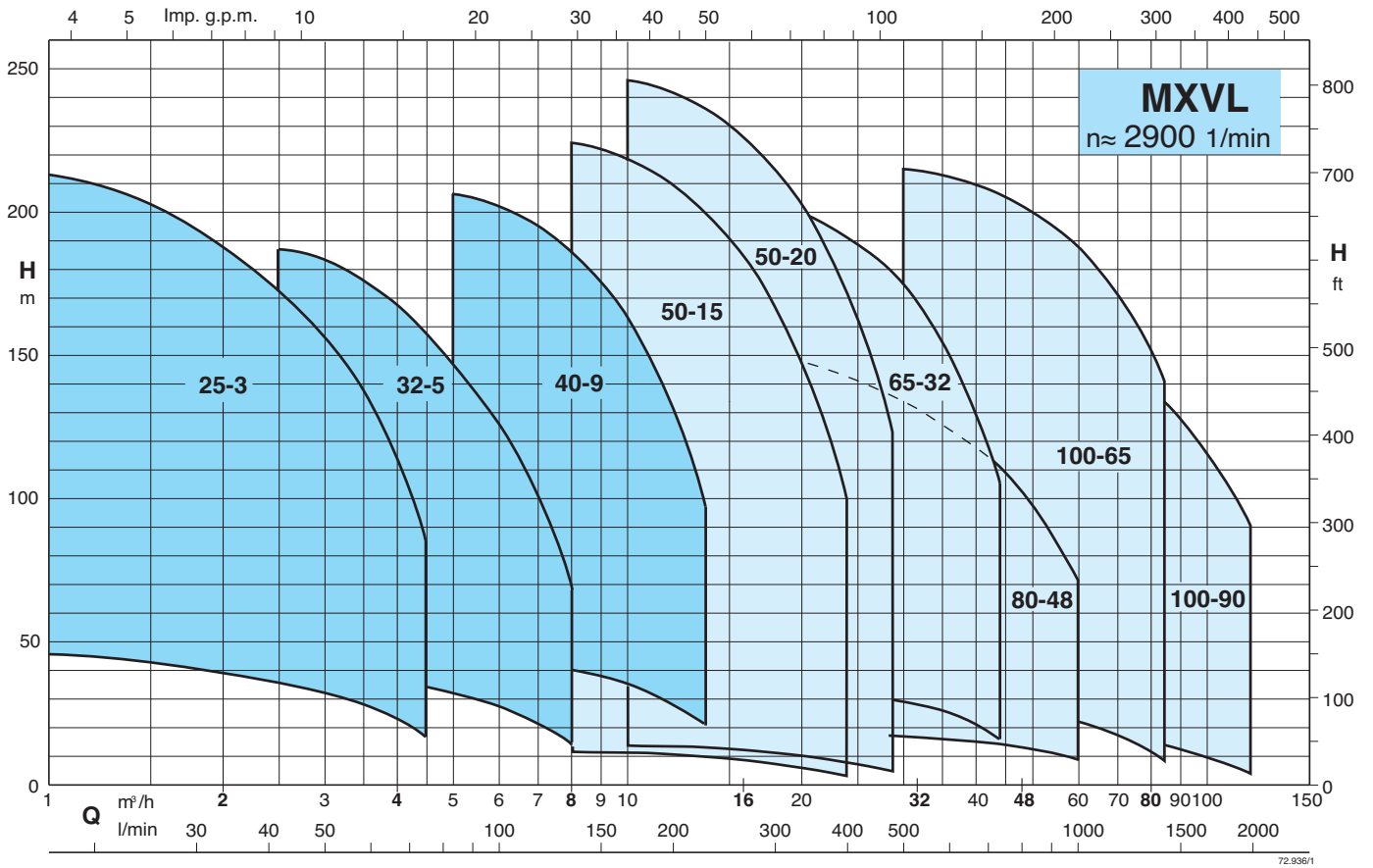
Variants (to be specified when ordering)

- Pump without motor.
- Pump with standard motor.

Other variants (on request)

- O-rings FPM.
- Other mechanical seal.
- Pump with motor of Client's choice (if available).
- Other voltage ratings.
- Frequency 60 Hz.
- Pump with support feet for horizontal installation (H1 or H2) MXV 100 series excluded.

Coverage chart



For characteristic curves, dimensions and weights see MXV